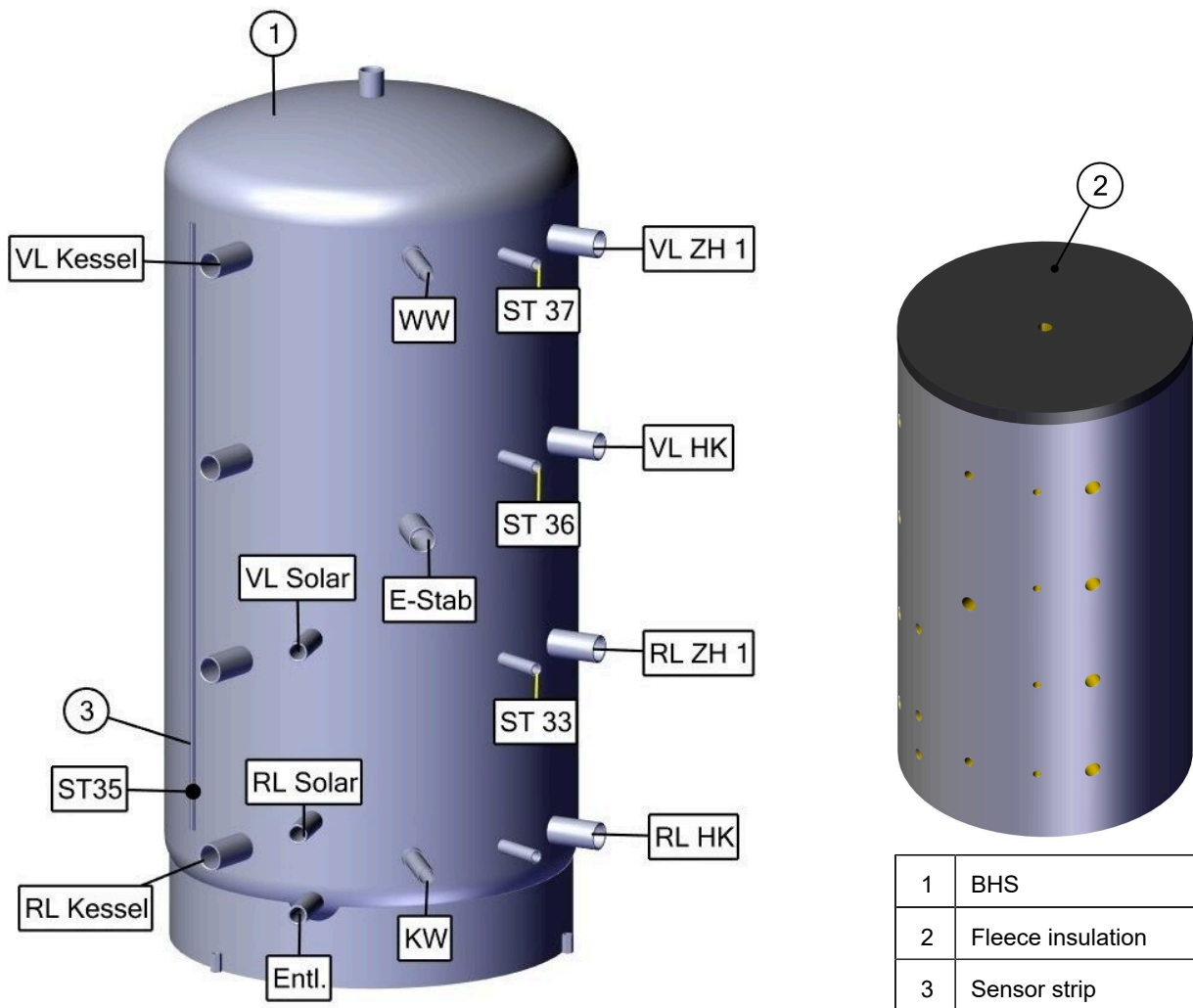


Data sheet
BRUNNER Hygiene-Speicher
=BRUNNER hygiene storage
BHS

The BRUNNER hygiene storage tank is suitable as a buffer storage tank for hot water preparation using the continuous flow principle and for integrating a thermal solar system into the heating system.

It collects and stores the energy supplied and releases it optimally when heat is required.



Special product features

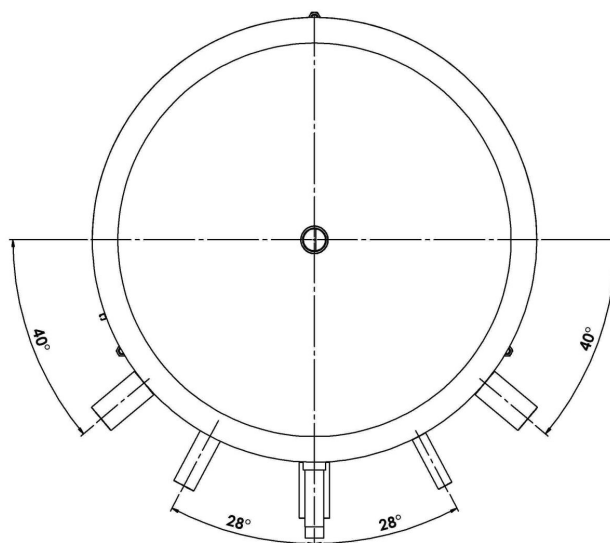
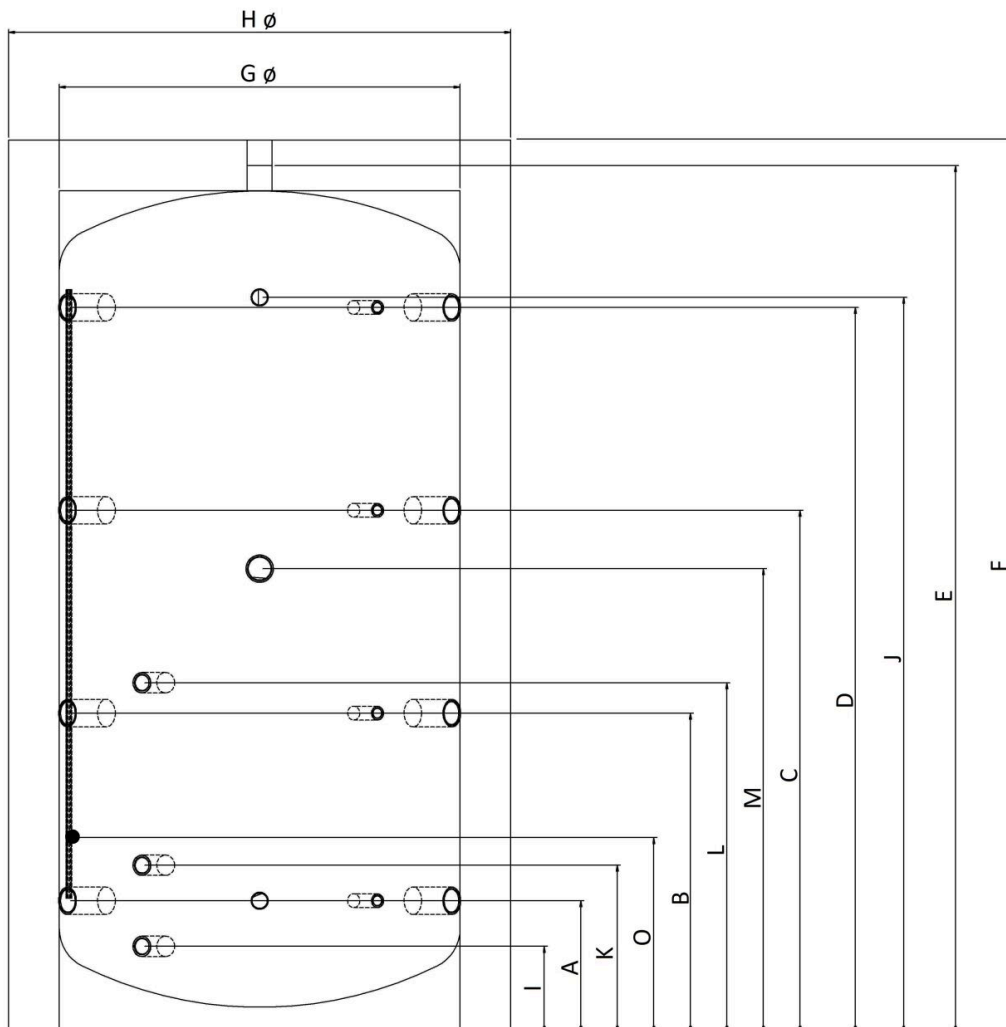
- contains a large corrugated tube heat exchanger made of high-quality V4A stainless steel.
- Excellent insulation thanks to 100 mm fiber fleece and Skai-outer jacket
- Hard shell hood for the top cover of the thermal insulation cover
- Thermally insulated end caps for unused hydraulic connections

Accessories

- BRUNNER circulation connection hygiene storage BHS item no. 902479
- alternatively: on-site solution with ESBE VTR322 and VTR801 circulation set and lance valve

If necessary, anti-scald protection must be provided on site.

1 Dimension sheet BHS



	Function	UM	750 liter	1000 liter
A	Return heat generator	mm	260	310
	Return heating circuit	DN (Zoll) (IG)	40 (1 1/2")	40 (1 1/2")
B	Return additional heating 1	mm	630	745
		DN (Zoll) (IG)	40 (1 1/2")	40 (1 1/2")
	Sensor ST 33	DN (Zoll) (IG)	15 (1/2")	15 (1/2")
C	Supply heating circuit	mm	1030	1250
		DN (Zoll) (IG)	40 (1 1/2")	40 (1 1/2")
	Sensor ST 36	DN (Zoll) (IG)	15 (1/2")	15 (1/2")
D	Supply heat generator	mm	1430	1710
	Flow additional heating 1	DN (Zoll) (IG)	40 (1 1/2")	40 (1 1/2")
	Sensor ST 37	DN (Zoll) (IG)	15 (1/2")	15 (1/2")
E	Height without insulation	mm	1690	2040
	Venting	DN (Zoll) (IG)	32 (1 1/4")	32 (1 1/4")
F	Height with insulation	mm	1740	2090
G	Diameter without insulation	mm	790	790
H	Diameter with insulation	mm	990	990
I	Emptying	mm	170	170
		DN (Zoll) (IG)	25 (1")	25 (1")
N	Cold water	mm	260	270
		DN (Zoll) (AG)	25 (1")	25 (1")
J	Hot water	mm	1450	1770
		DN (Zoll) (AG)	25 (1")	25 (1")
K	Return solar-heat exchanger	mm	330	330
		DN (Zoll) (IG)	25 (1")	25 (1")
L	Supply solar-heat exchanger	mm	690	750
		DN (Zoll) (IG)	25 (1")	25 (1")
M	Sleeve for electric heating element	mm	915	1060
		DN (Zoll) (IG)	40 (1 1/2")	40 (1 1/2")
O	Sensor ST 35 in bar	mm	380	380
	Tilting dimension without insulation	mm	1750	2085

2 Technical data BHS

Parameter	UM	BHS 750	BHS 1000
Nominal content	liter	750	1000
Operating pressure heating, max.	bar	3	3
Operating pressure hot water, max.	bar	6	6
Operating temperature, max.	°C	95	95
Heating surface stainless steel corrugated pipe	m ²	6	6
Contents stainless steel corrugated pipe	liter	31	31
Hot water output, max.(10°C, 45°C, 70°C)	liter/min.	40	40
Hot water output (10°C, 45°C, 70°C)	liter/10 min.	150	170
Hot water output (10°C, 45°C, 70°C) with recharging 17 kW	liter/hour	700	700
Surface solar heat exchanger	m ²	2,5	2,8
Polyester fleece insulation (WLG035) with zipper	mm	100	100
Building material class storage insulation according to DIN EN 13501-1 / DIN 4102-1		E / B2	E / B2
Weight storage container/insulation	kg / kg	164 / 23	180 / 30
Standby energy consumption according to EN 12897	kWh/24h	3,12	3,38
Warming losses (Directive 2010/30/EU)	W	123	138
Possible storage combination for doubling with BRUNNER standard storage	liter + liter	750+750	1000+1000

Ulrich Brunner GmbH

Zellhuber Ring 17-18
D-84307 Eggenfelden

Tel.: +49 (0) 8721/771-0

E-Mail: info@brunner.de

Current data: www.brunner.de

BRUNNER products are offered and sold exclusively by qualified dealers and service centres.

Technical and range-related changes as well as errors reserved.

All images may contain additional functions or special equipment that are subject to a surcharge. Reprinting and duplication, including extracts, only with the express permission of the publisher. © Ulrich Brunner GmbH. © by Ulrich Brunner GmbH.

® **BRUNNER** is a registered trademark.

DokuNr.: 202748 / 202749