

TILE STOVE INSERTS FROM BRUNNER



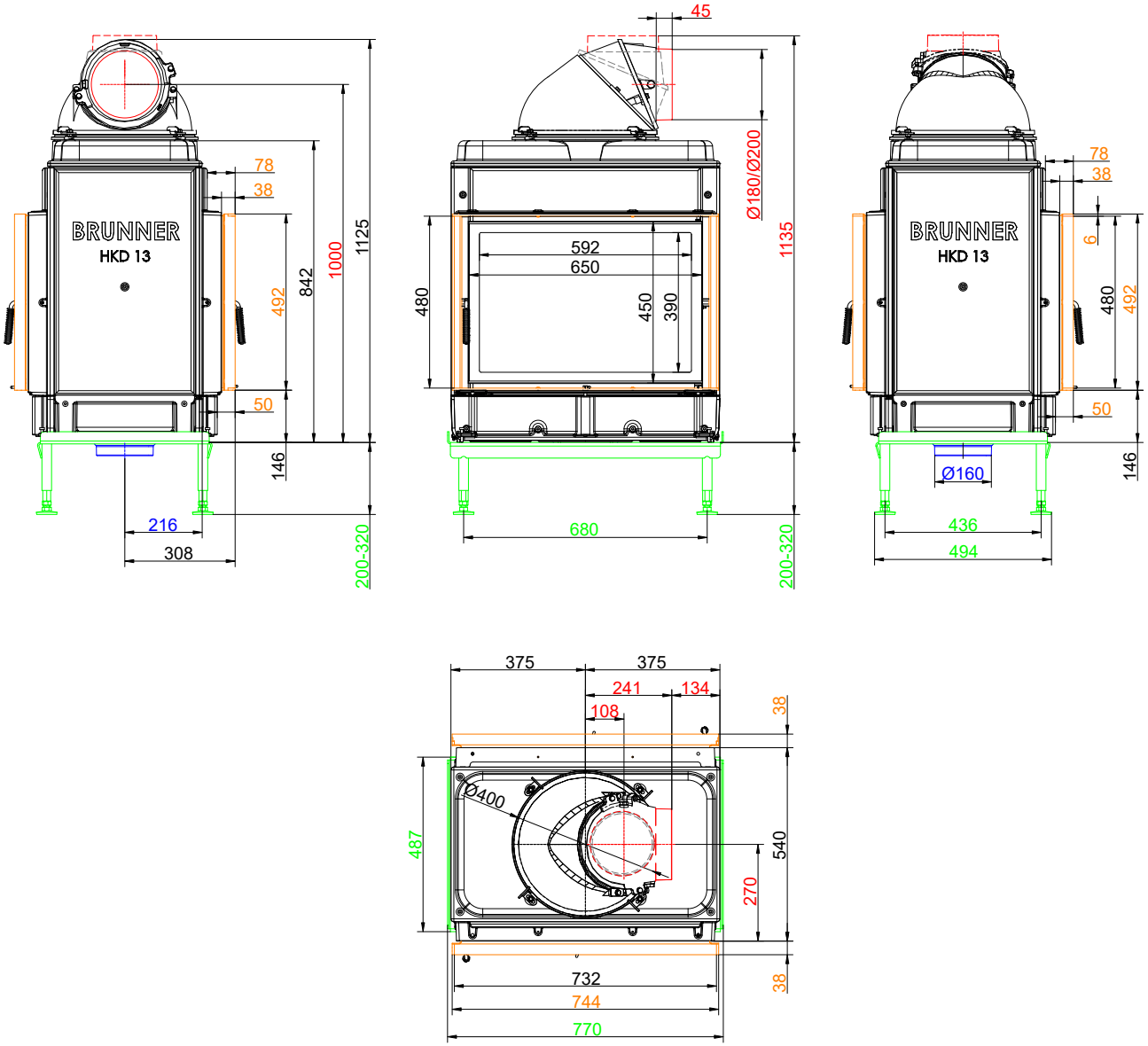
HKD 13 Tunnel green

State: 2023-08-29

 <p>100% PRODUKT</p>	 <p>keramische Züge</p>
 <p>Elektronische Ofen- Steuerung</p>	 <p>33- 50cm Schnittlänge</p>
 <p>Türanschlag rechts / links</p>	 <p>Warm Luft</p>
 <p>Glaskeramik beschichtet</p>	 <p>Gusskuppel</p>
 <p>Gusskuppel niedrig</p>	 <p>Modulaufsatz- speicher</p>
 <p>Modulringe Guss</p>	 <p>Aussenluft Anschluss</p>
 <p>green</p>	 <p>green+ Katalysator</p>
 <p>A+</p>	

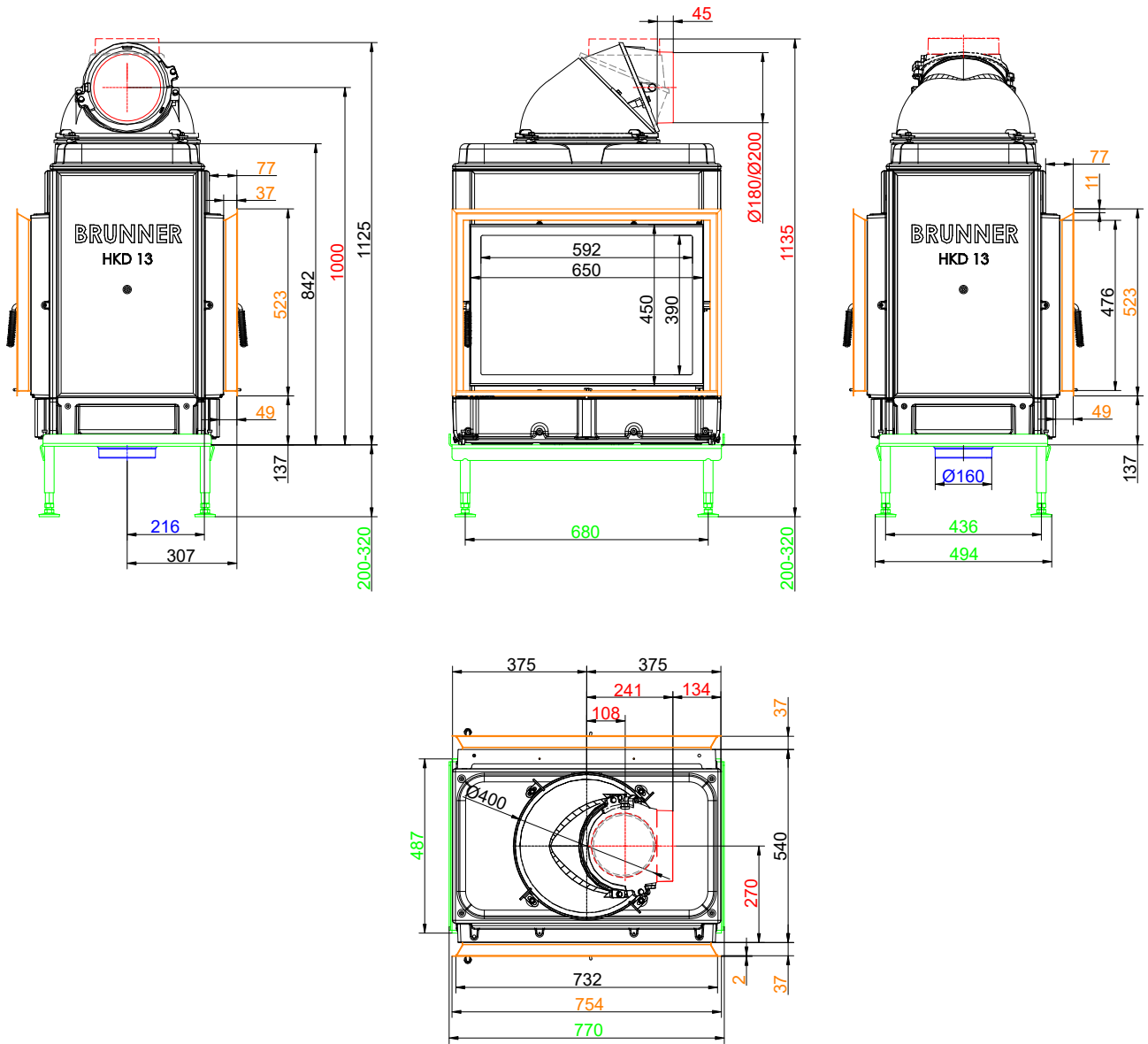
BRUNNER[®]
made in germany.

Dimension sheets - HKD 13 Tunnel green



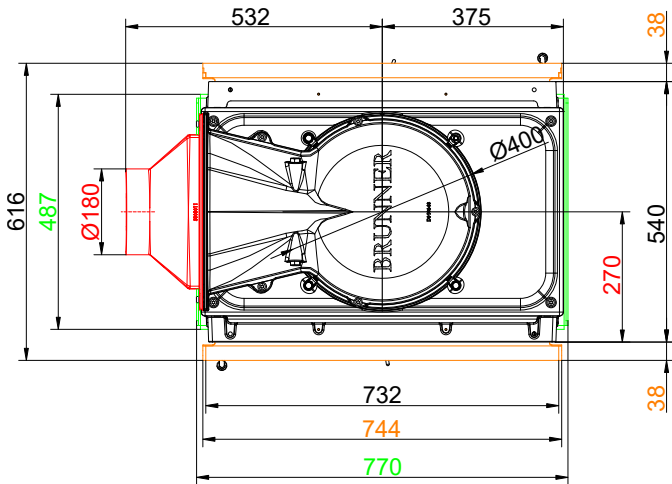
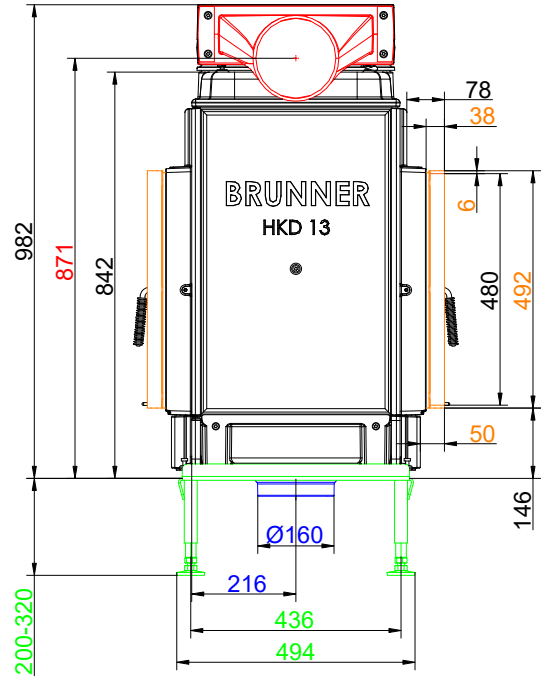
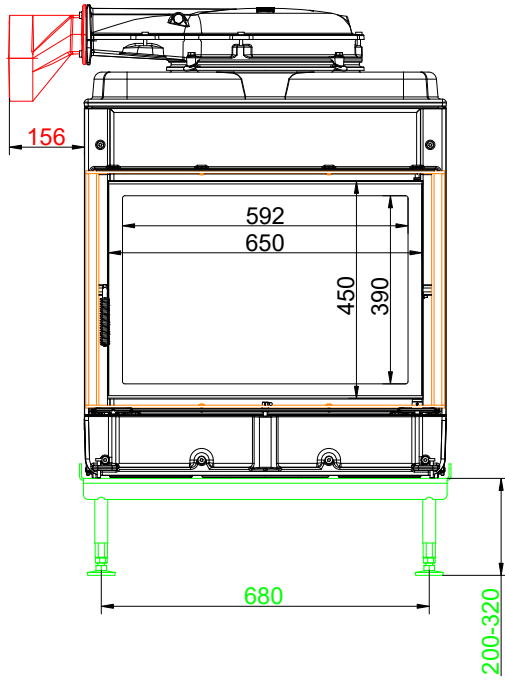
... mounting frame with cast iron dome

Dimension sheets - HKD 13 Tunnel green



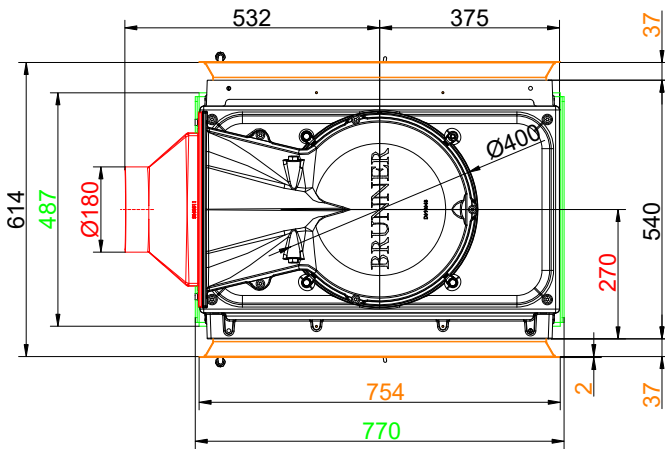
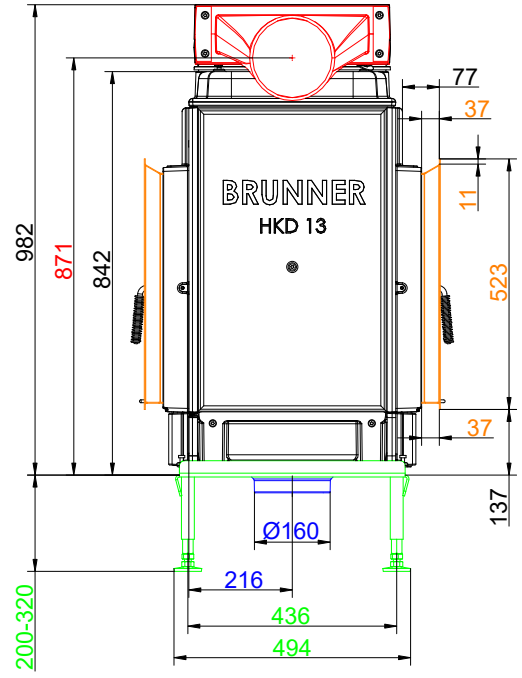
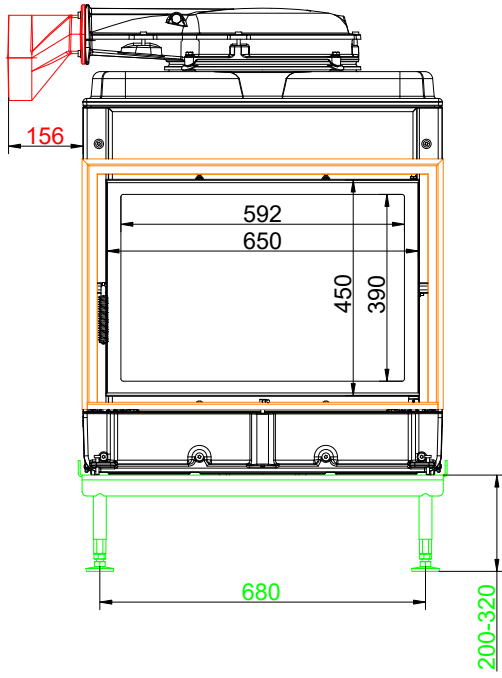
... with door frame and cast iron dome

Dimension sheets - HKD 13 Tunnel green



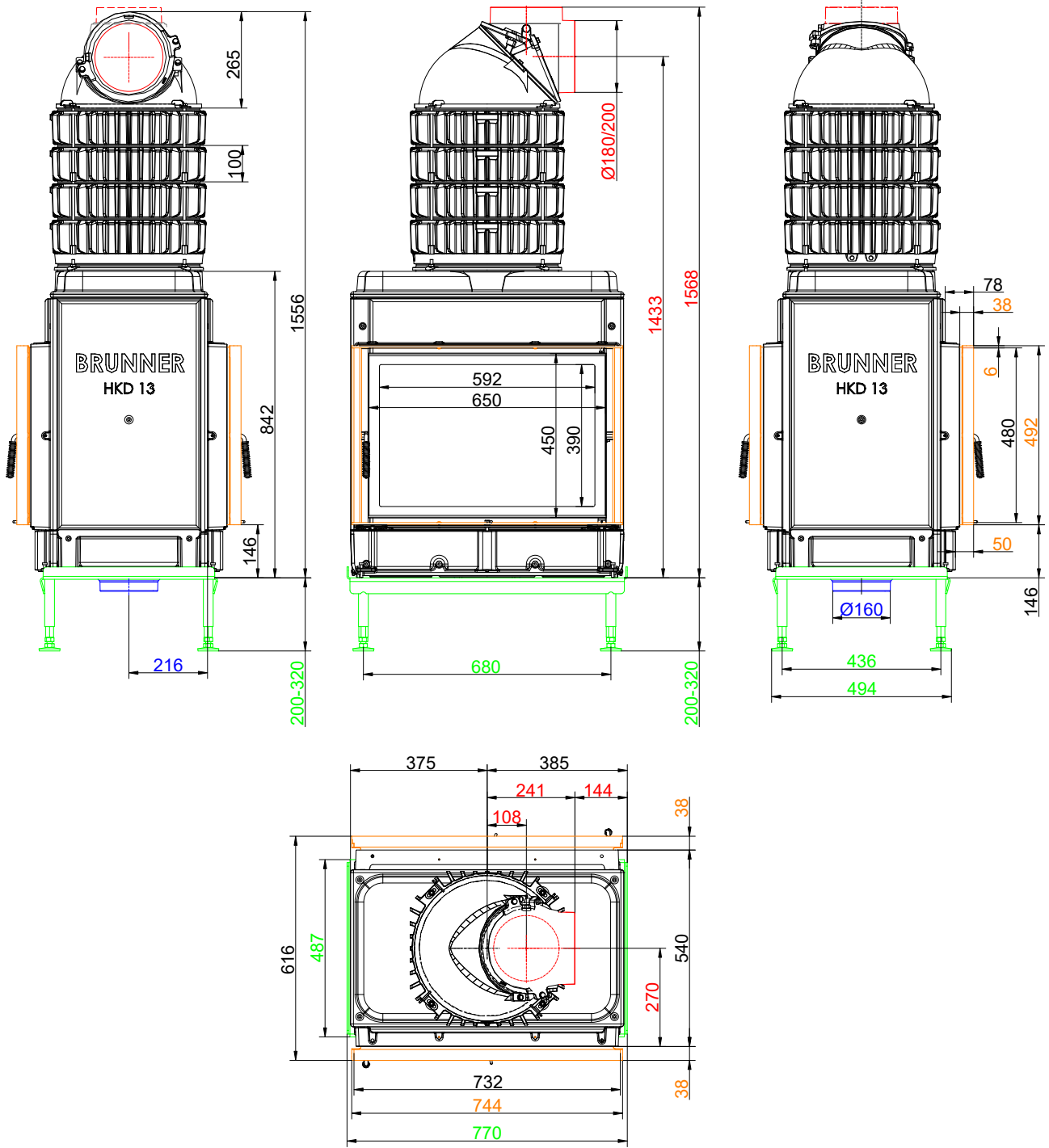
... mounting frame with cast iron dome low

Dimension sheets - HKD 13 Tunnel green



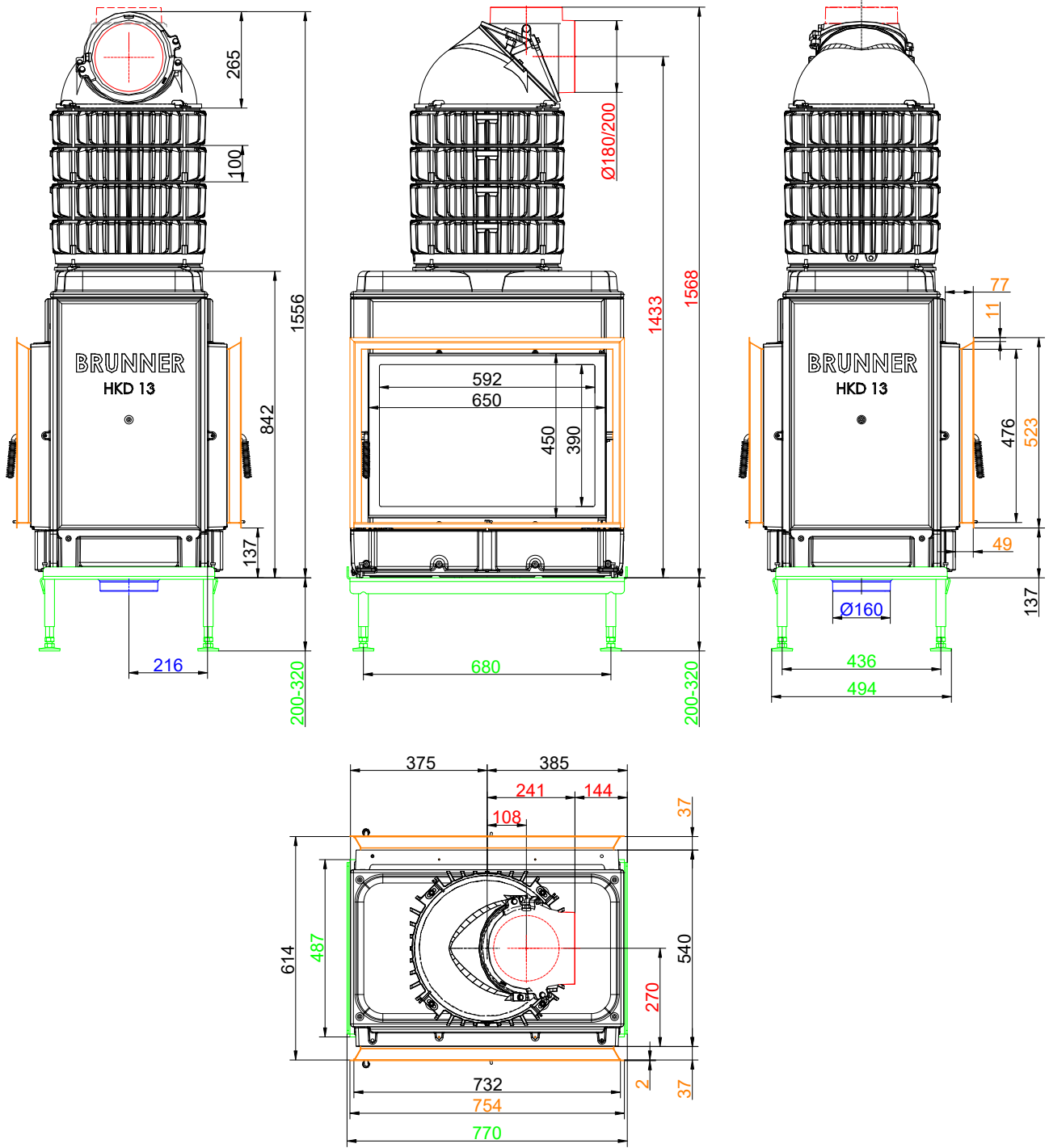
... with door frame and low cast iron dome

Dimension sheets - HKD 13 Tunnel green



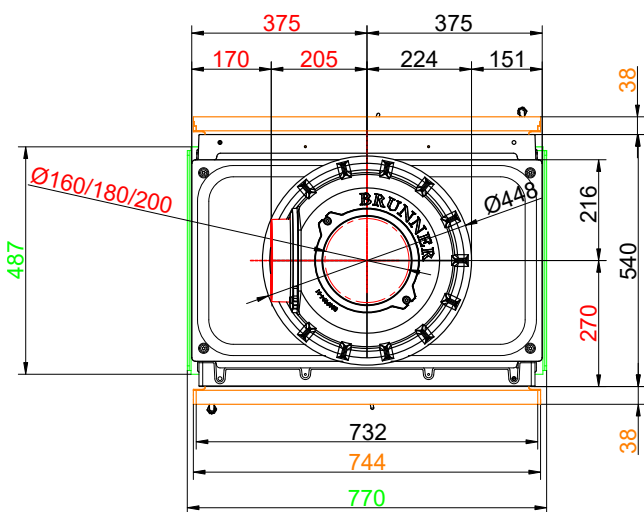
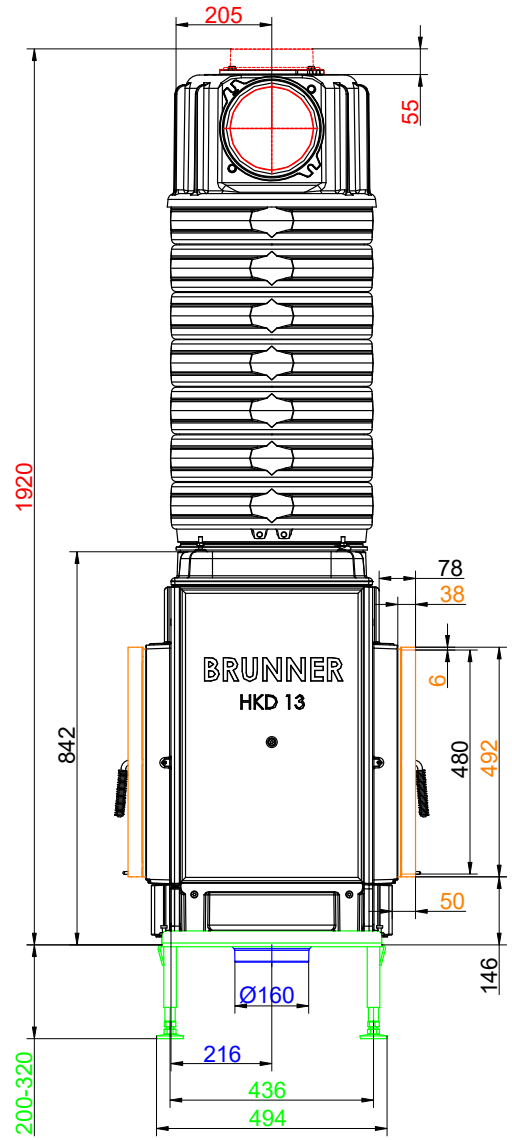
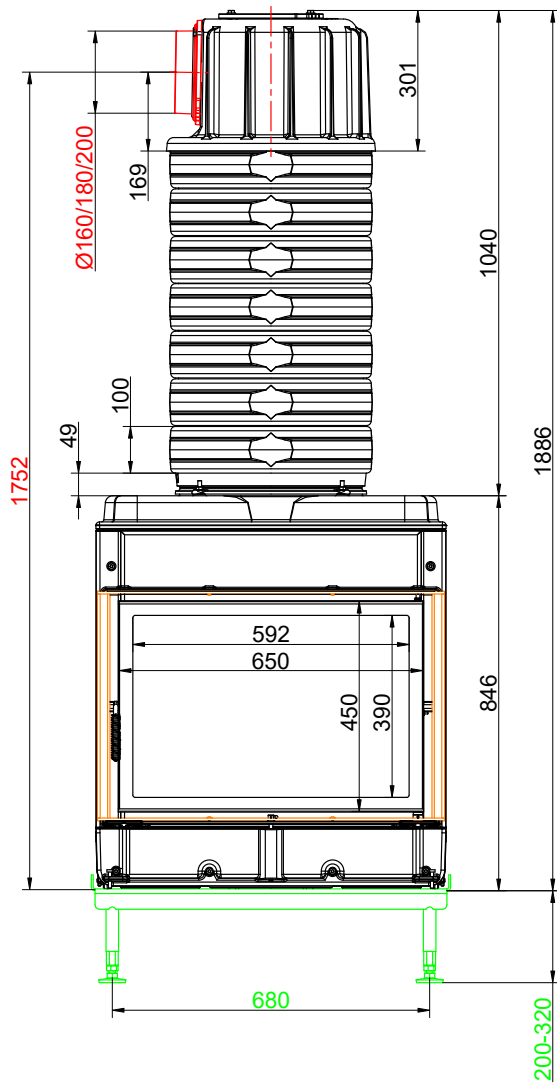
... Mounting frame and cast iron heat exchanger rings + dome

Dimension sheets - HKD 13 Tunnel green



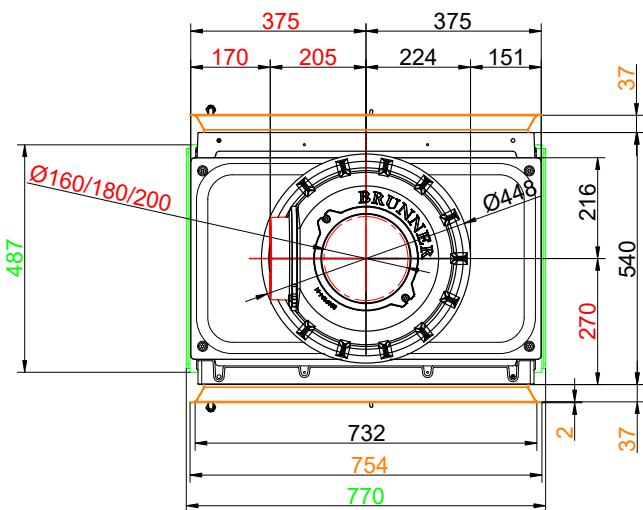
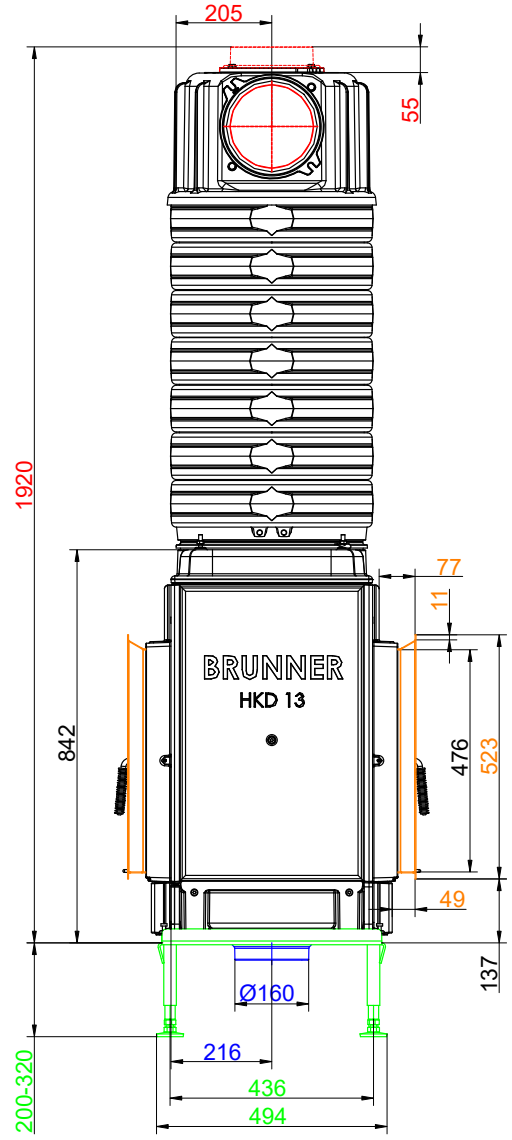
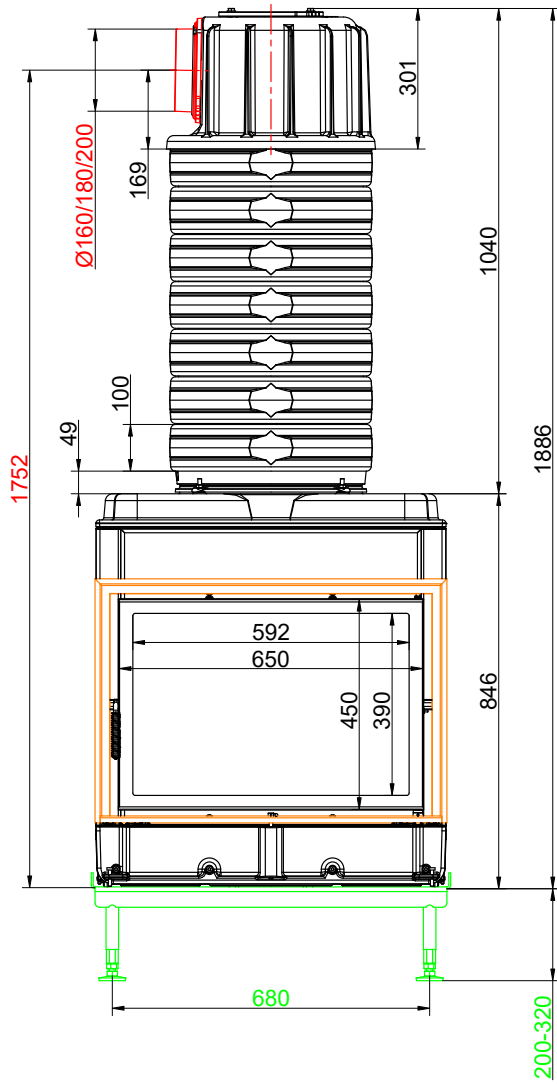
... Door frame and cast iron heat exchanger rings + dome

Dimension sheets - HKD 13 Tunnel green



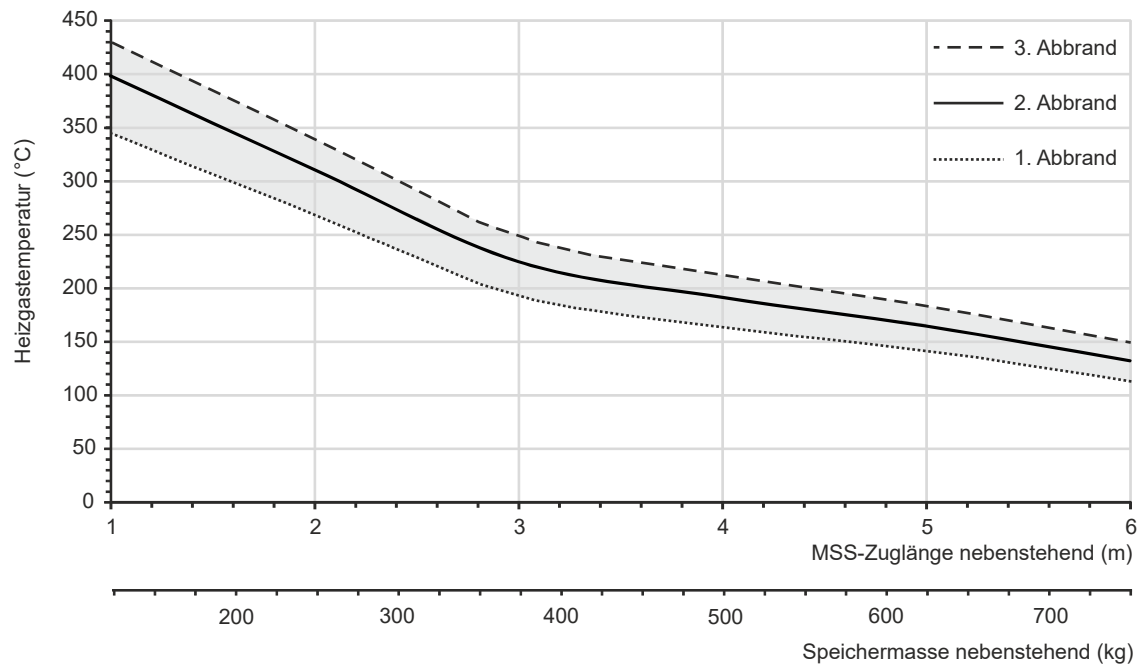
... mounting frame with MAS

Dimension sheets - HKD 13 Tunnel green



... with MAS and door frame

Dimension sheets - HKD 13 Tunnel green



Design characteristics for adjacent storage mass

We suggest for CAD planning Palette CAD. Permanent updated drawings: www.brunner.de

Frames/ flue gas outlet connection/ combustion air supply connection/ front variants/ support bearing are marked in color.

Planning and installation - HKD 13 Tunnel green

Tested according to		EN 13229 W	EN 13229 WA
Values measured at		Rated power ¹⁾	Storage operation ²⁾
Suitable for all construction types according to rules		OK	OK
Data for functional demonstration			
Rated heat power	kW	9	-
Fire wood volume	kg/h	2.7	5.5
Combustion performance	kW	10.5	22
Flue gas mass flow	g/s	8.5	20
Outlet temperature (before reheating surface)	°C	460	540
Flue gas temperature after:			
1 x adjoining cast iron radiator (GNF 8/10)	°C	180	215
4 x cast iron heat exchanger rings + dome	°C	220	260
7 x accumulation rings incl. MAS casted cover ³⁾	°C	220	-
4,9 m ceramic accumulator ⁴⁾	°C	-	180
3,4 m accumulation stones (MSS) ⁴⁾	°C	-	190
Necessary supply pressure	Pa	12	15
Combustion air consumption	m ³ /h	25	48
Flue gas pipe connection Ø	mm	180 / 200	180 / 200
Combustion air connection Ø	mm	125 / 160	125 / 160
Heating gas temperature (before the hood/dome variant)			
cast iron dome	°C	460	540
Heat distribution			
Insert / reheating surface	%	40 / 40	40 / 40
glass ceramic / glass ceramic coated (GKB)	%	25 / 20	25 / 20
Cross-section of gratings ⁵⁾			
Convection air	cm ²	700 / 300 / 500	700 / 300 / 500
Supply air	cm ²	700 / 300 / 500	700 / 300 / 500
Minimal distances of the fireplace			
to cladding, insulation layer	cm	8	8
to mounting floor	cm	15	15
Minimum insulation thickness without / with air gratings ⁶⁾			
Mounting wall	cm	12 / 10	12 / 10
Floor	cm	0	0
Ceiling	cm	22 / 16	22 / 16
Brick lining for combustible wall	cm	10	10
Minimum distances in front of the combustion chamber, glass ceramic / glass ceramic coated (GKB)			
for combustible parts	cm	≥ 120 / ≥ 80	≥ 120 / ≥ 80
Weight			
Fireplace / combustion chamber	kg	247 / 53	
Meets requirement/limit values for:			
EU / Germany	Ökodesign / 1. BImSchV (Stufe 2)		

- 1) Indications to "Rated power" determined with metallic reheating surface
- 2) Indications to "Storage operation" for the manual execution of the reheating surface (guide values).
- 3) Damper flap recommended
- 4) Approximate value. Determination according to design characteristics for adjacent storage mass or proof of function provided by calculation
- 5) for fireplace/heating inserts / flue gas pipe / metallic reheating surface/if the specified nominal heat output is required as the heating output.
- 6) Values determined with air cross-sections evaluated by testing; stove cladding is heat emitting.