

# Installation Guide

Grannus

©2020

**BRUNNER**<sup>®</sup>  
*made in germany.*

---

# CONTENTS

1	Basic informations.....	2
2	Tolerances of thermal concrete parts.....	3
3	Delivery contents.....	5
4	Description of parts.....	5
5	Preliminary remarks.....	9
6	Sequence of assembly.....	10
7	Side table.....	22
8	Drawings and technical data.....	

## 1 BASIC INFORMATIONS



All instructions delivered with products must be observed. We do not accept any warranty claim or liability for damage resulting from failure to observe these installation instructions! Improper installation can cause injury and material damage!

The floor space of the room must have a suitable structure and sufficient dimensions to ensure proper functioning of the fireplace.

Please note that other installation and assembly instructions are included in other packaging units!

All binding national or EU standards and local regulations for the installation of fireplaces must be observed

All valid stove fitting rules and regulations of local construction law must be observed and followed.

Please follow the relevant regulations of your country.

When these instructions are followed and all works are done properly, this will ensure a safe, energy-saving and environmentally friendly operation of the stove. Pictures shown are not to be considered as complete representations of any kind.

Subject to technical and assortment changes.

Please notify your supplier of any damage which might have occurred during transport.

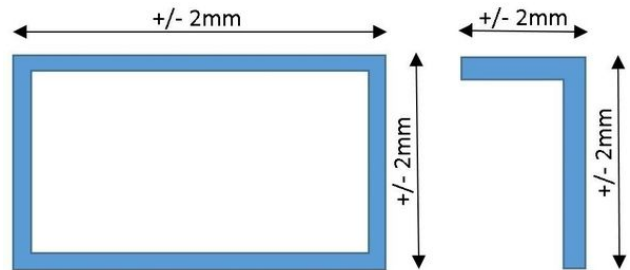
Please keep these instructions.

## 2 TOLERANCES OF THERMAL CONCRETE PARTS

The following tolerances are valid for all parts of our system fireplace/stove casings. Except where otherwise indicated, all data refer to the nominal dimensions, as found in dimensional drawings.

### Length Tolerances

For each part, the indicated tolerances apply.



### Height Tolerances

For each part, the indicated tolerances apply.



### Tolerances of Flatness

For parts with nominal dimensions up to 950 mm, a tolerance of  $\pm 2.5\text{ mm}$  applies. Above this dimension, a tolerance of  $\pm 3\text{ mm}$  applies.

These tolerances apply also for the base support and top cover parts. The leveling board (R) must be placed in parallel to the basic body!

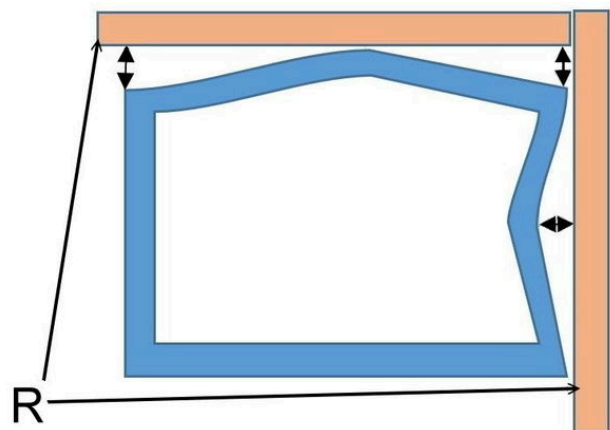


Illustration 1: Leveling boards placed correctly

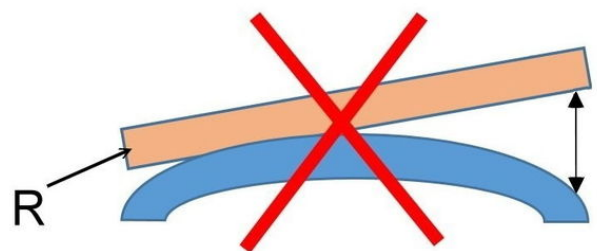
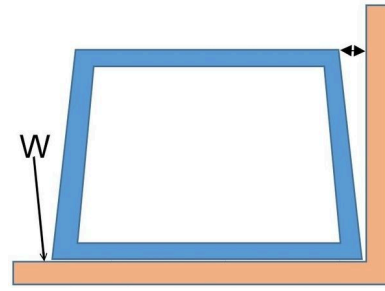


Illustration 2: Incorrectly placed leveling board

### Tolerances of Angle

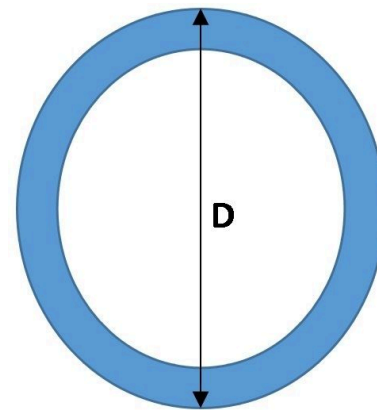
In order to determine the deviations of angles, place the square measuring tool along the long edge!

For nominal dimensions up to 600 mm, a tolerance of 0.28%, i.e. 1.7 mm applies. For nominal dimensions up to 900 mm, a tolerance of 0.30%, i.e. 2.4 mm applies.



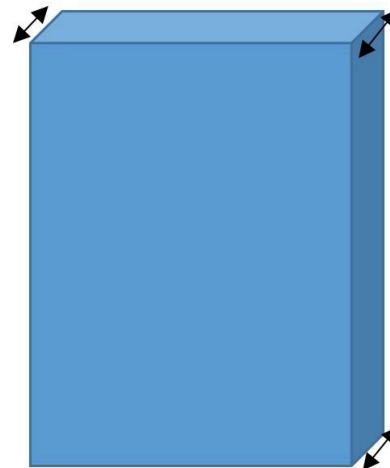
### Roundness

Up to a nominal diameter of 650 mm, a tolerance of 0.25%, i.e. 1.62 mm applies. For diameters above this value, a tolerance of 0.28%, i.e. 2.38 mm applies.



### Wall thicknesses

For wall thicknesses, a tolerance of 3.5% applies.



The overall appearance with color shade differences being present or not can be assessed in general only after a longer period of time (several weeks in some cases). The uniformity of color should be assessed from a typical viewing distance.

### 3 DELIVERY CONTENTS

The parts of the Grannus are delivered in four different wooden boxes on pallets.

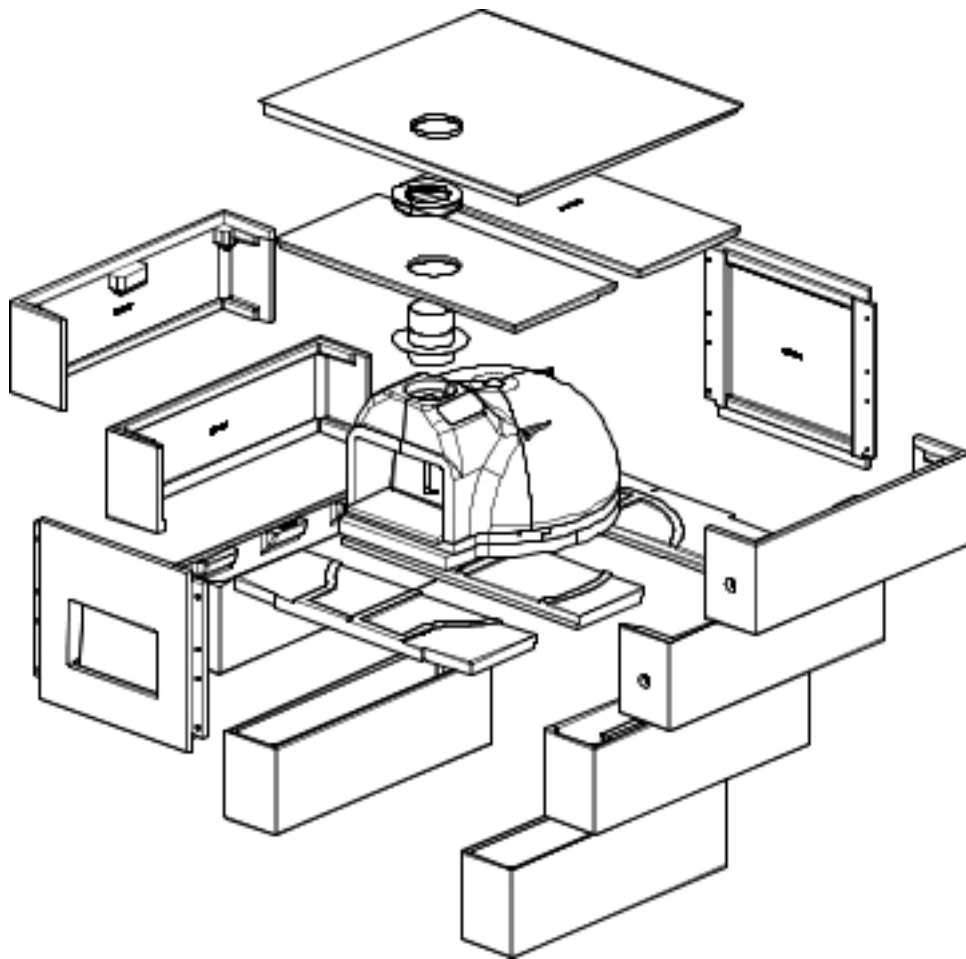


Before the installation unpack all elements and check them for possible damage!

At least 2 persons are required for unpacking the single components!

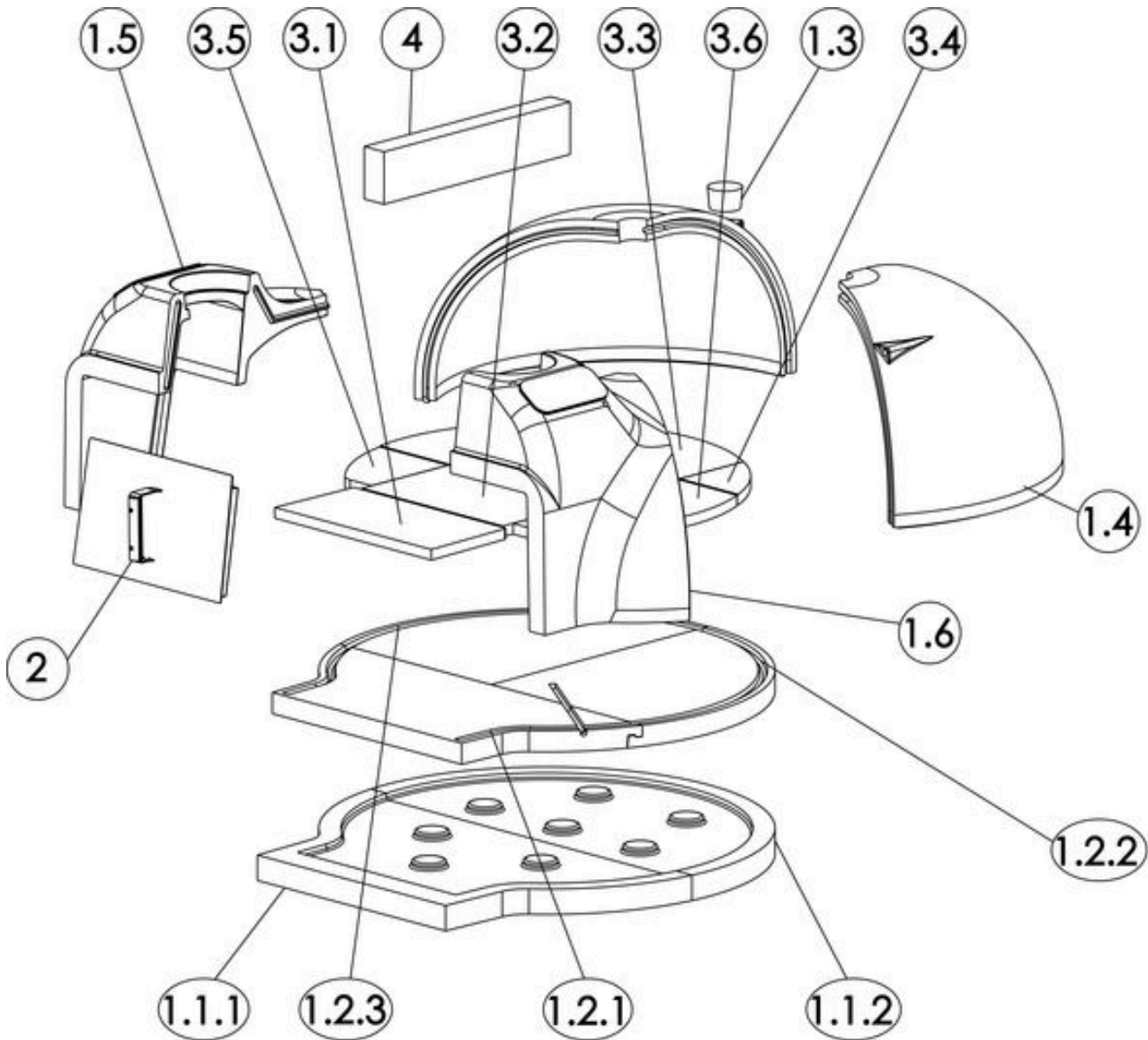
### 4 DESCRIPTION OF PARTS

Parts overview



In the following overview, little parts like for instance installation material, are not listed. Only the substantial and possibly spare part relevant elements are shown.

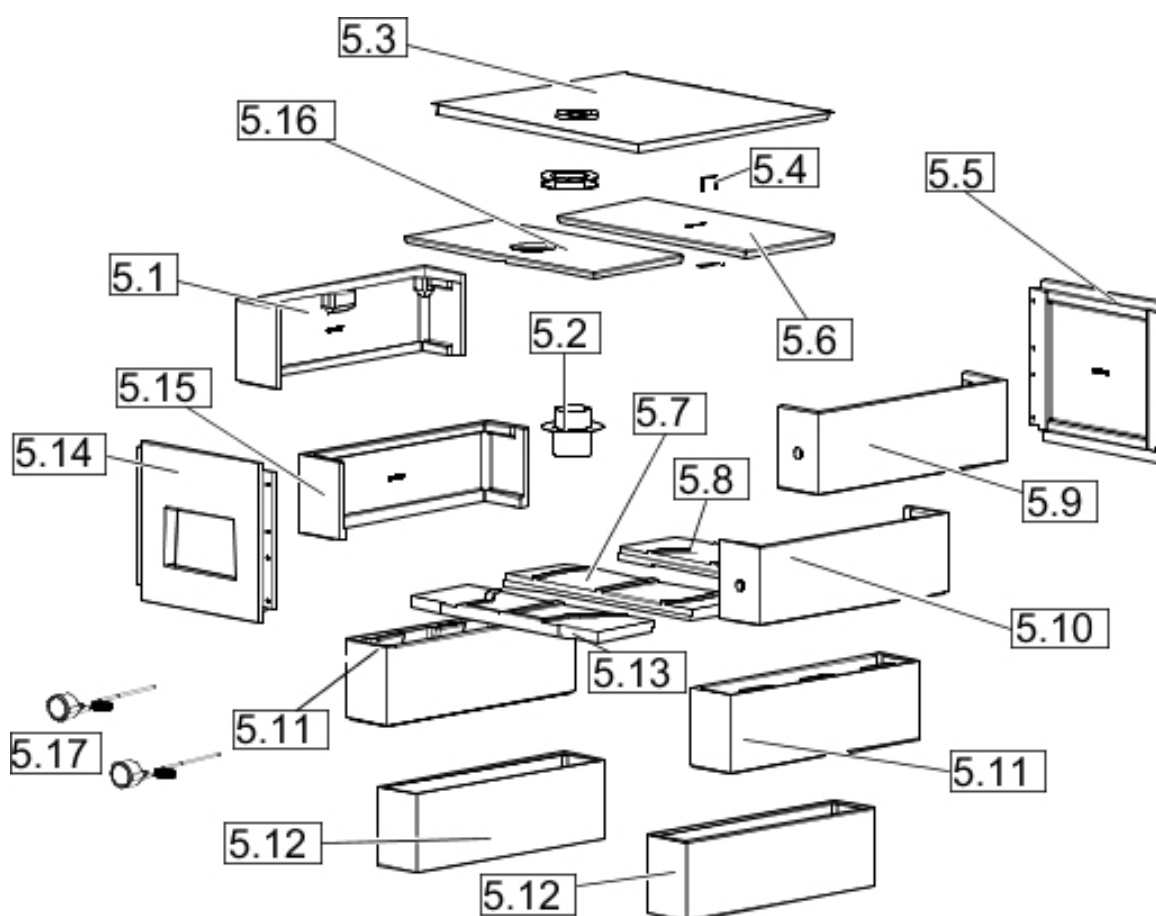
**Parts Fire-Igloo**



Item	Part no.	Designation	Item	Part no.	Designation
1.1.1	Q010003	Bottom plate, front	1.1.2	Q010004	Bottom plate, rear
1.2.1	Q010017	Accumulation stone, bottom front	1.2.2	Q010018	Accumulation stone, bottom right
1.2.3	Q010019	Accumulation stone, bottom left	1.3	Q010005	Dome centre stone
1.4	Q010006	Dome shaped stone (2x)	1.5	Q010057	Dome door stone, left
1.6	Q010058	Dome door stone, right	2	Q010030	Shutter lid
3.1	Q010041	Fire clay stone, front	3.2	Q010042	Fire clay stone, middle (2x)

3.3	Q010043	Fire clay stone, rear	3.4	Q010044	Fire clay stone, right/left side (2x)
3.5	Q010045	Fire clay stone, right/left front (2x)	3.6	Q010046	Fire clay stone, right/left centre (2x)
4	Q010023	Chamotte layer			

## Parts paneling



Item	Part No.	Designation	Item	Part No.	Designation
5.1	Q010067	Upper element 2 left	5.2	Q010091	Intake smoke pipe D180
5.3	Q010072	Cover plate Grannus (optional)	5.4	BSG1000-005	Handle cover removal
5.5	Q010065	Back wall	5.6	Q010069	Back cover
5.7	Q010080	Base plate center	5.8	Q010083	Base plate at the back
5.9	Q010066	Upper element 2 right	5.10	Q010064	Upper element 1 right
5.11	Q010062	Base element 2	5.12	Q010061	Base element 1
5.13	Q010063	Base plate front	5.14	Q010070	Frontadapter
5.15	Q010081	Upper ring 1 left	5.16	Q010068	Front cover

---

5.17	900118	Capillary thermometer			
------	--------	-----------------------	--	--	--



## 5 PRELIMINARY REMARKS



At least two people are needed for the installation of the Grannus.



It is essential to follow the assembly instructions of the baking chamber fire igloo. It contains important information especially for the oven.



The location must be well prepared. Absolutely necessary is a flat surface with a load capacity of at least 1250 kg.

We recommend the installation of the Grannus on the support bearings (Art.-no.Q010102), which are available as an accessory.

The components of the paneling meet the requirements of exposed concrete class SB2.

### **Greater damage**

In case of damage in transit it is necessary to report the damage immediately directly to the transport company. Replacement can be requested from Ulrich Brunner GmbH.

In case of major damage which cannot be corrected with the optionally available revision kit (item no. : 900300), replacement can be requested as part of the warranty from Ulrich Brunner GmbH.

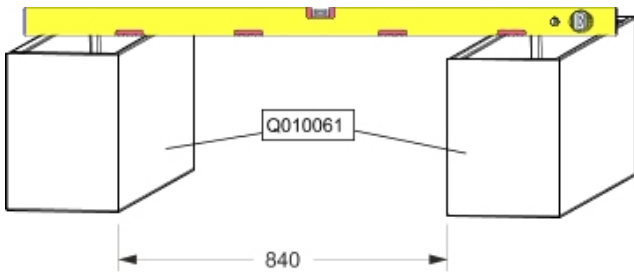
To request replacement parts, mark the damaged part on the attached packing slip and take a picture of the damage. Send photo and packing slip to Ulrich Brunner GmbH. The spare part will be sent as soon as possible.

### **Paneling in concrete look**

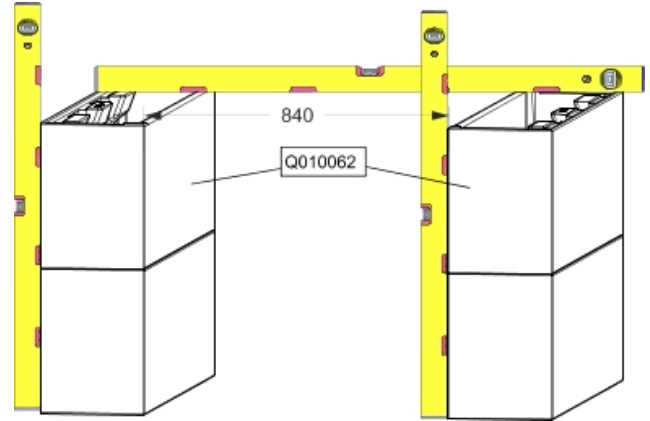
Despite the utmost care during production and transport, the paneling in concrete look can show slight irregularities such as air pockets, small cracks or unclean edges. This conforms with the concrete look and does not constitute a reason for complaint. Cracked or significantly damaged components are replaced as part of the warranty.

## 6 SEQUENCE OF ASSEMBLY

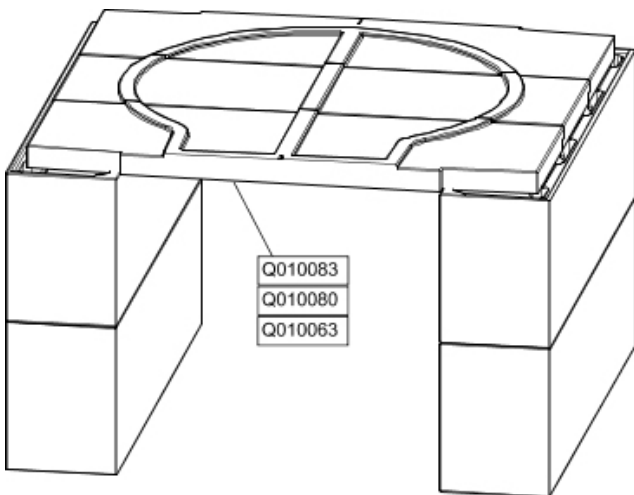
1.



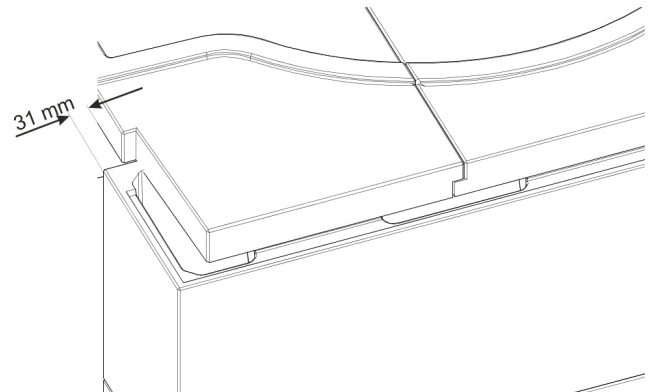
2.



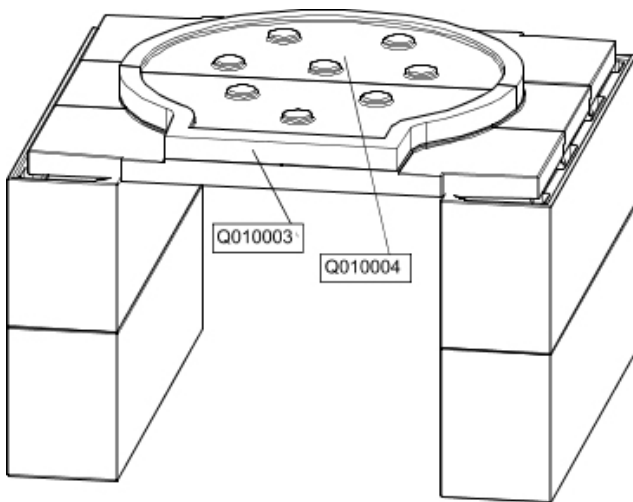
3.



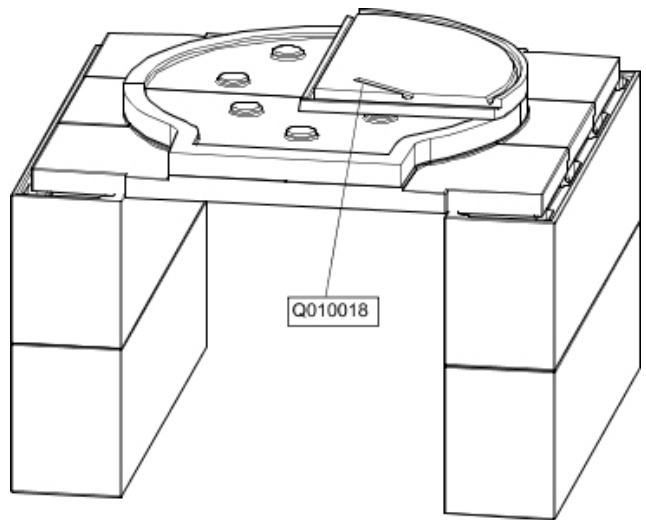
3 (Detail).



4.

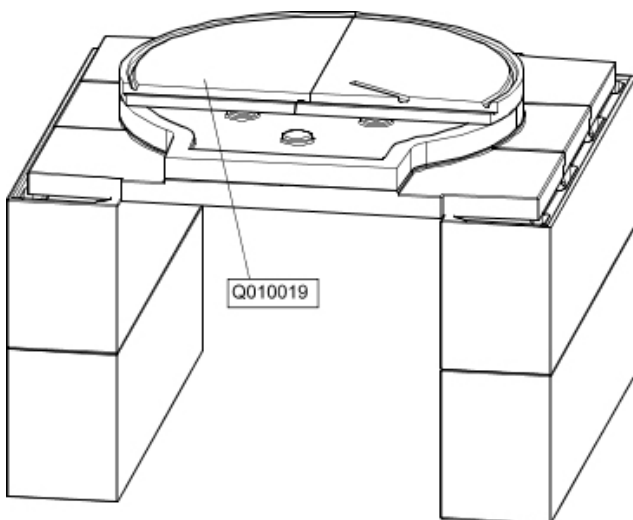


5.

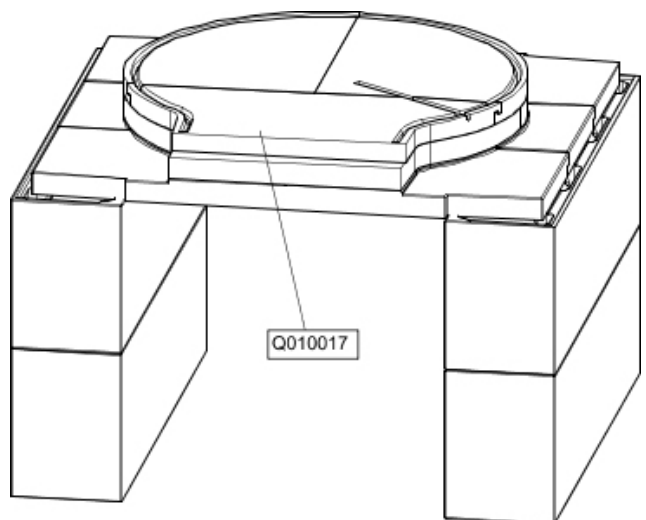


It is essential to follow the assembly instructions of the baking chamber fire igloo. This contains important information especially for the oven.

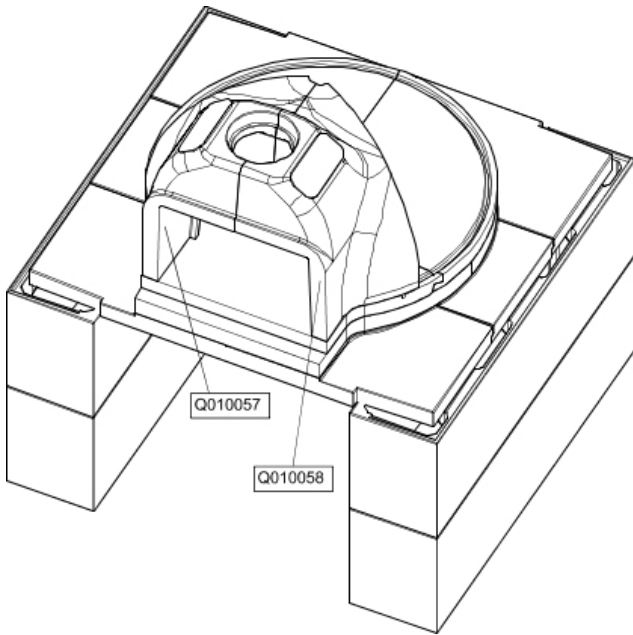
6.



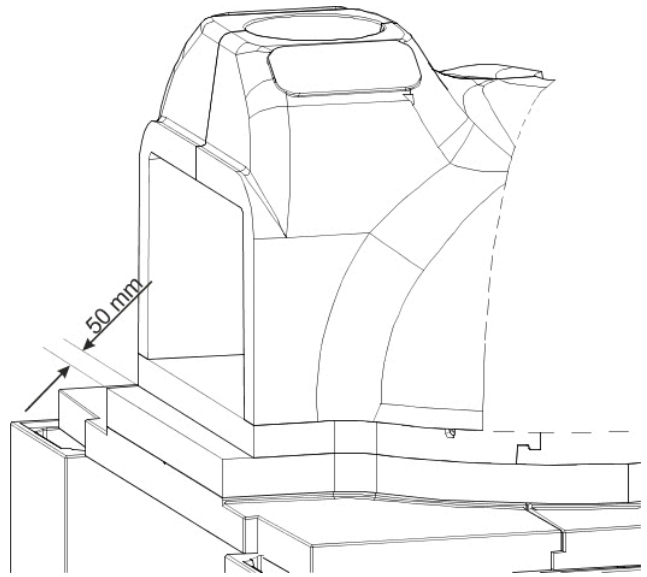
7.



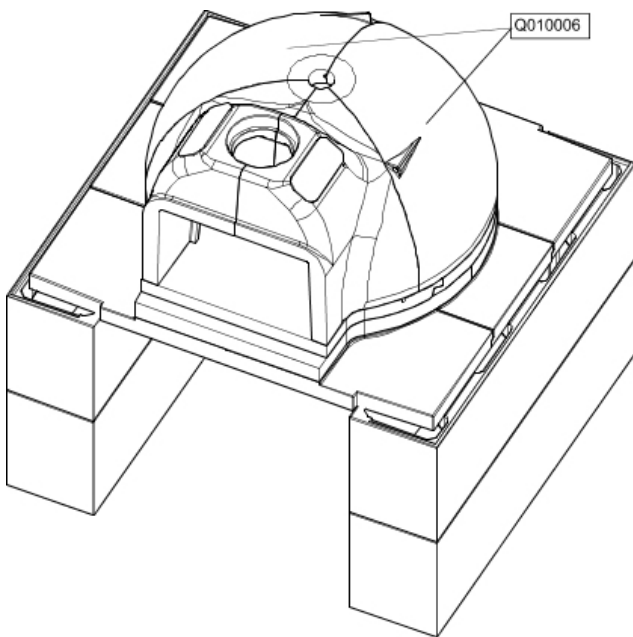
8.



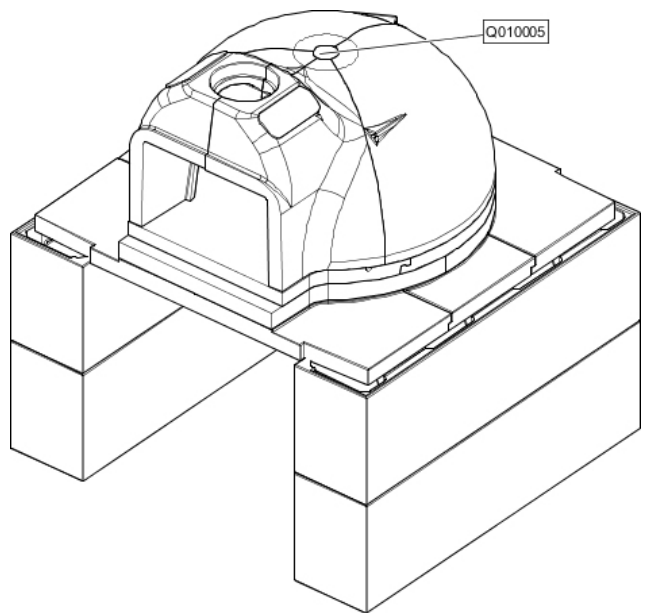
8 (Detail).



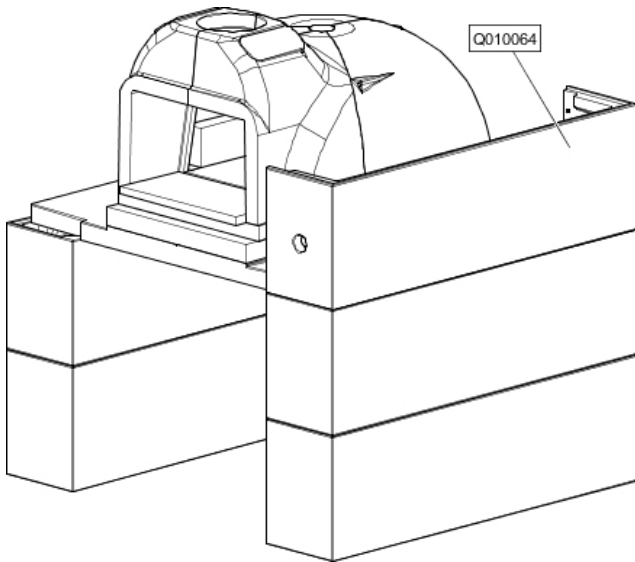
9.



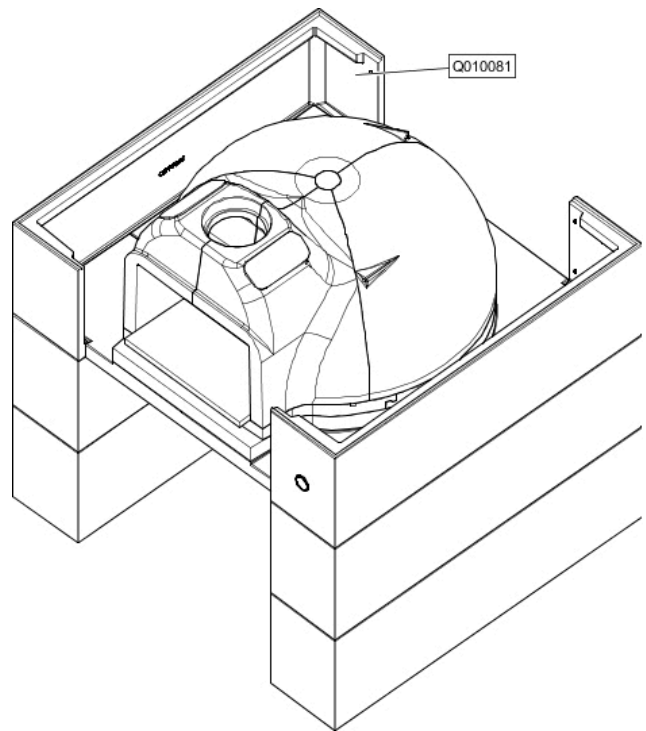
10.



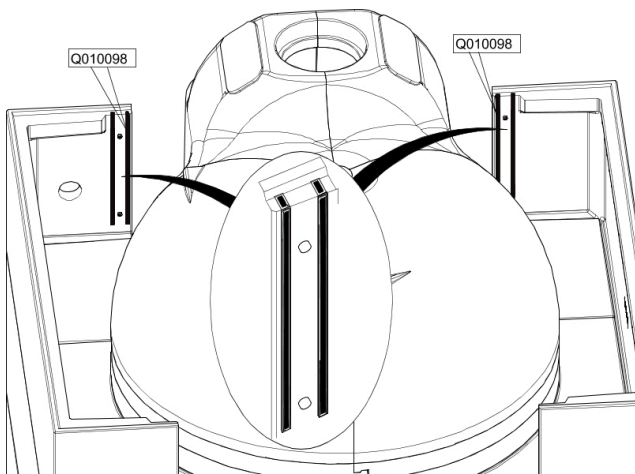
11.



12.

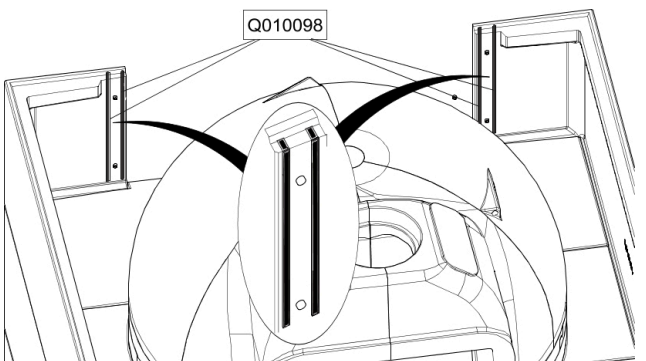


13.



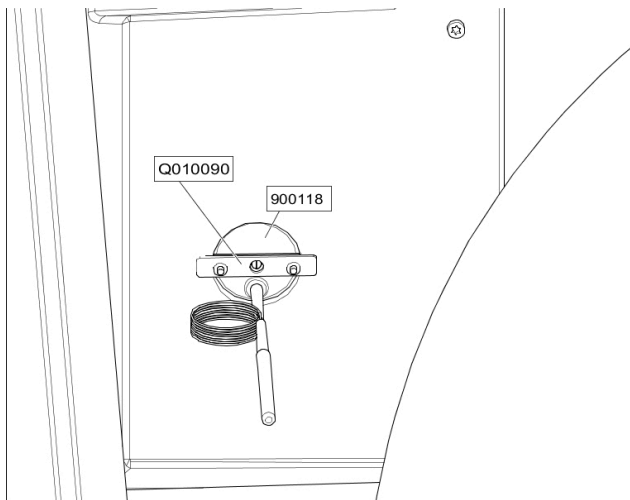
Sealing strip (8x4 mm, 270 mm, Q010098) is part of the accessory kit.

14.

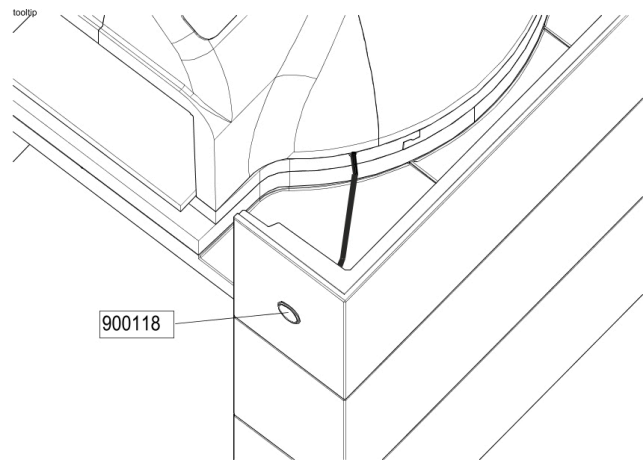


Sealing strip (8x4 mm, 270 mm, Q010098) is part of the accessory kit.

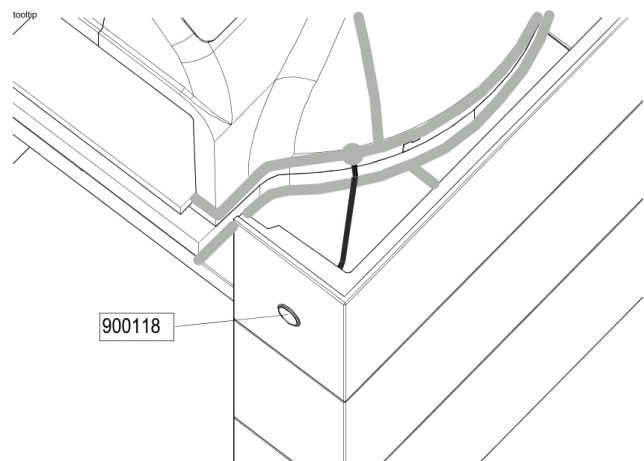
15.



16.

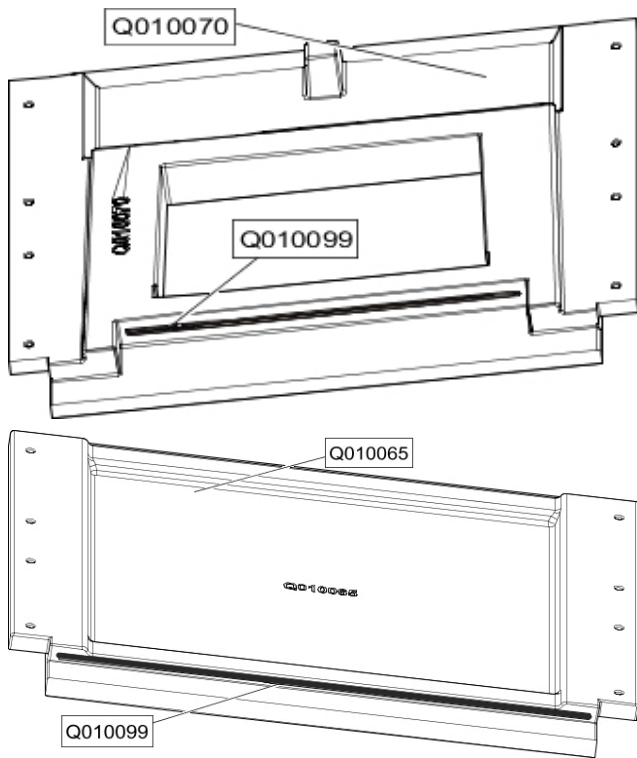


17.

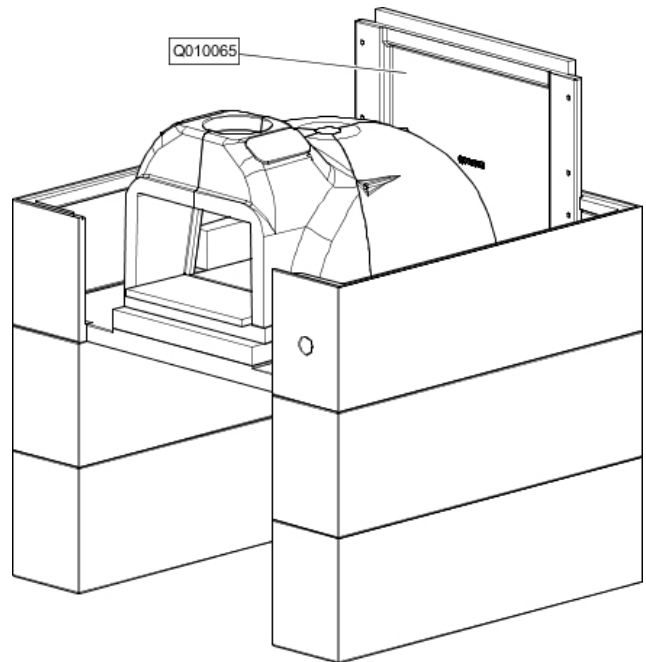


All edges /openings of the baking chamber of the fire igloo and the components of the Grannus must be sealed with the enclosed aluminum adhesive tape. This is the only way to prevent parts of the insulation from falling out or getting into the oven.

18.

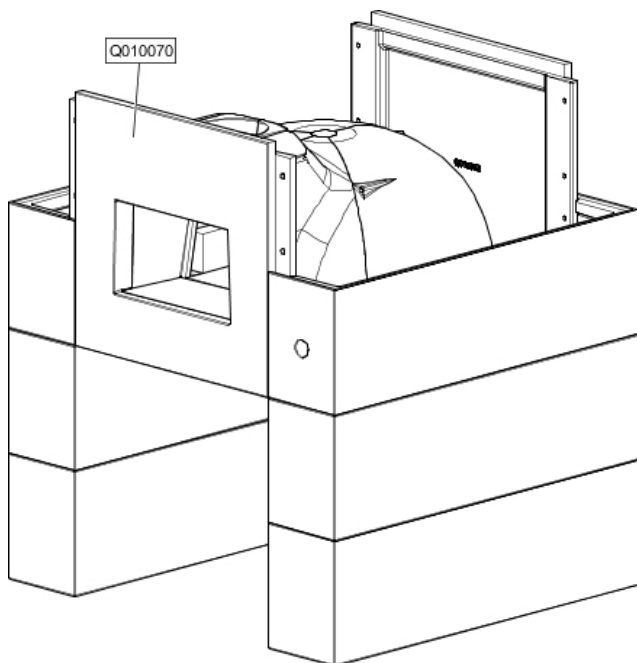


19.

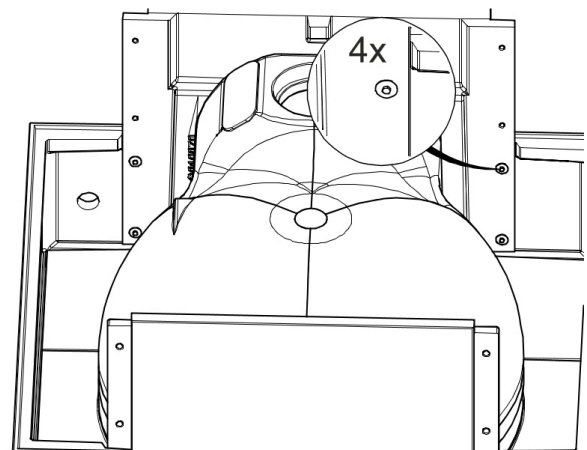


Sealing strip (600 mm, Q010099) is part of the accessory pack.

20.

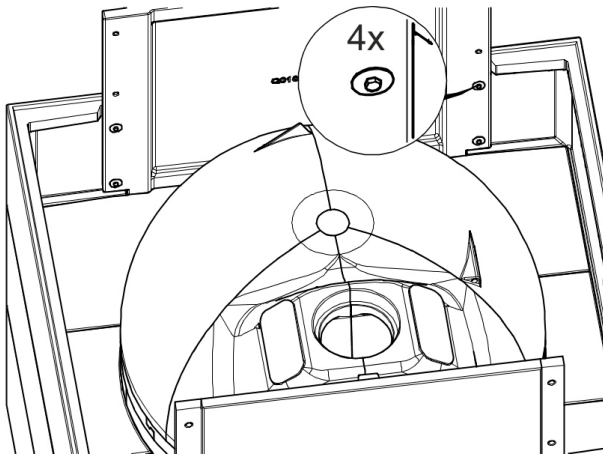


21.



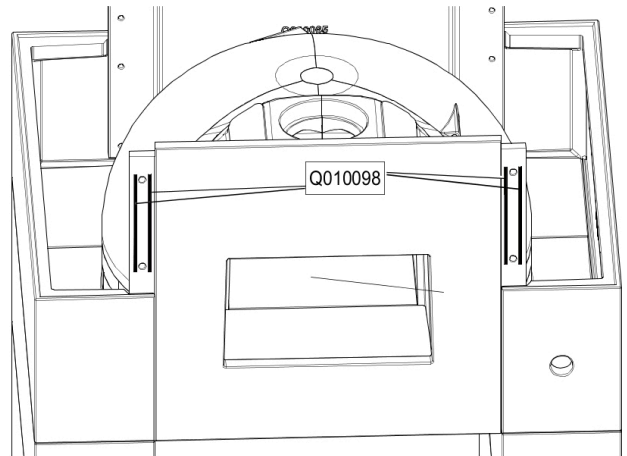
Do not tighten the screws yet!

22.



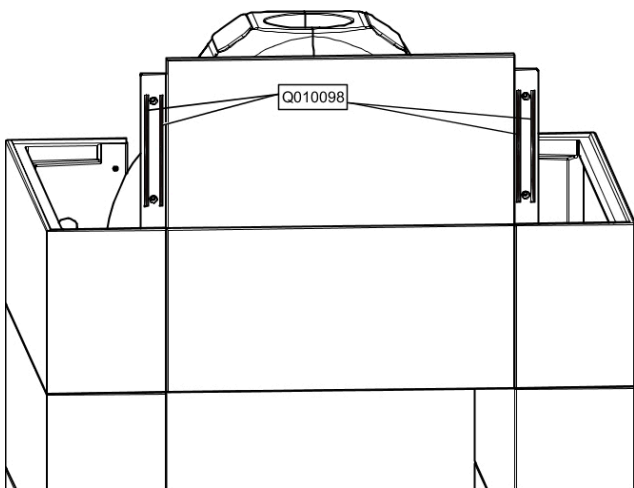
Do not tighten the screws yet!

23.



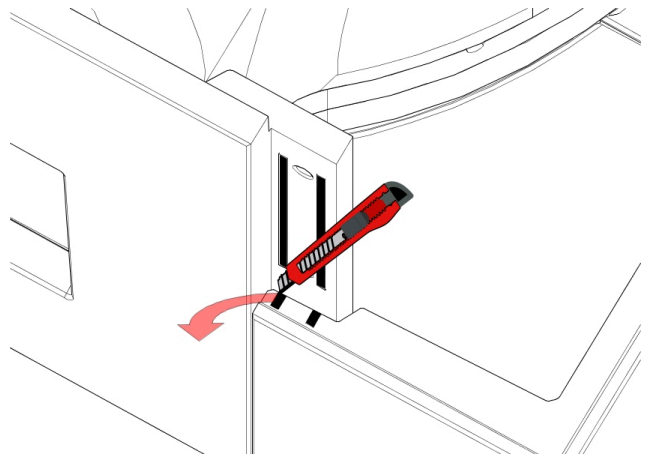
Sealing strip (270 mm, Q010098)  
is part of the accessory pack.

24.



Sealing strip (270 mm, Q010098) is part of the accessory pack.

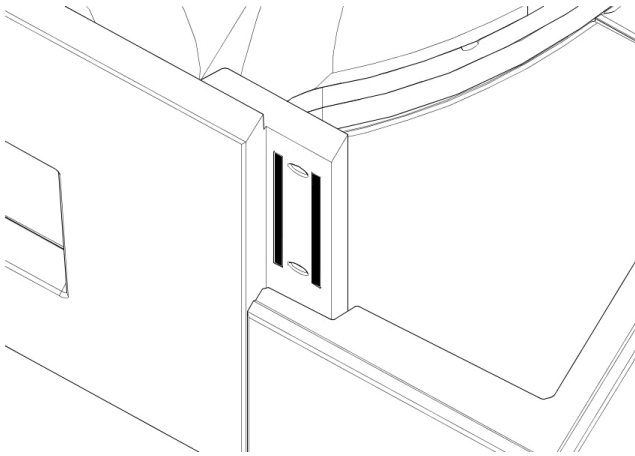
25.



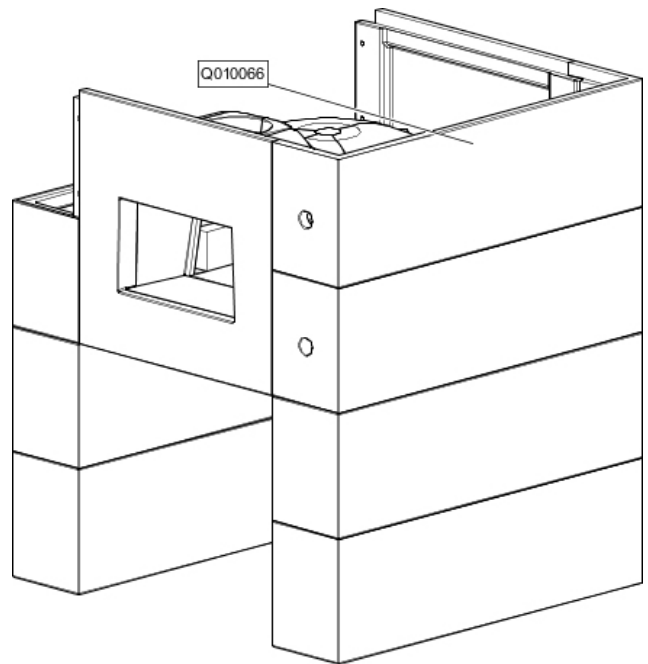
Cut the sealing ends on the right and left side next to the front adapter or rear wall!



26.

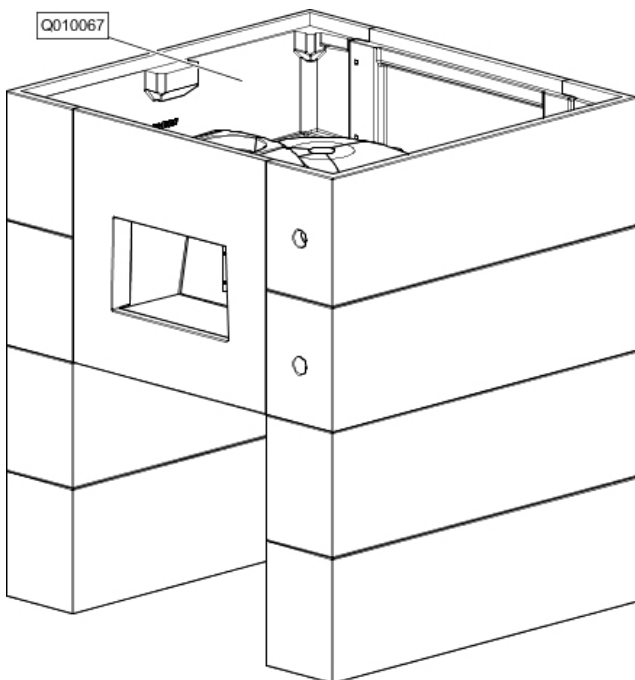


27.

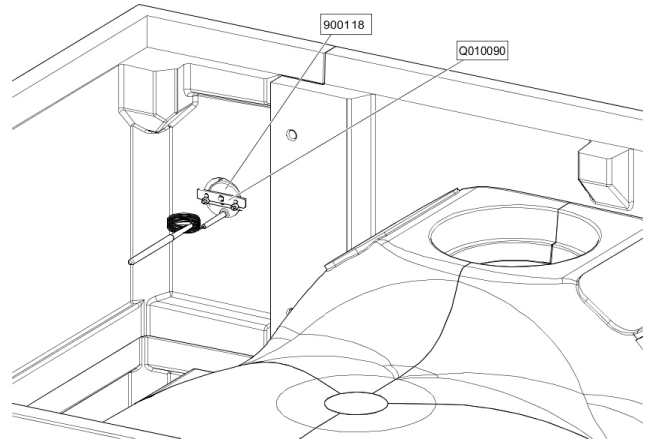


Sealing ends are removed.

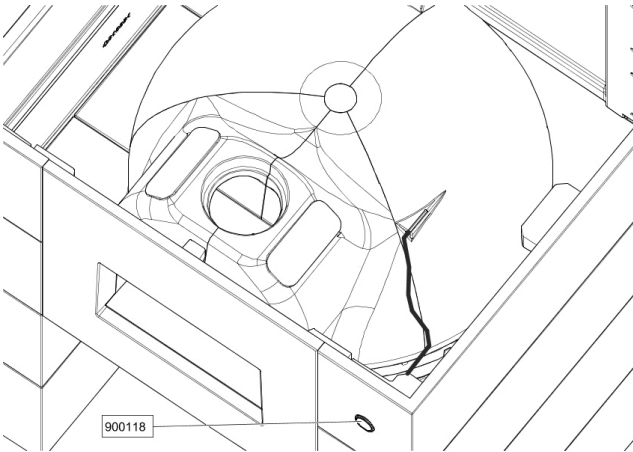
28.



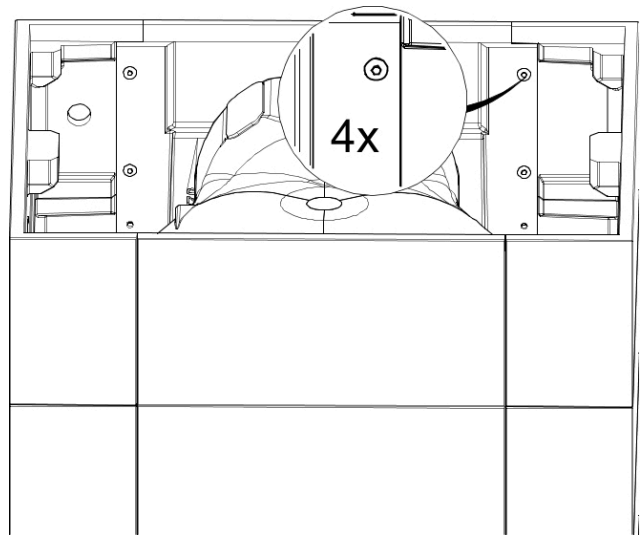
29.



30.

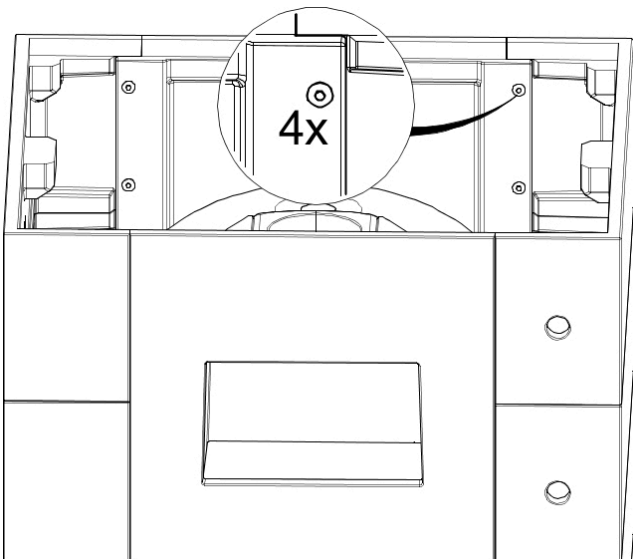


31.



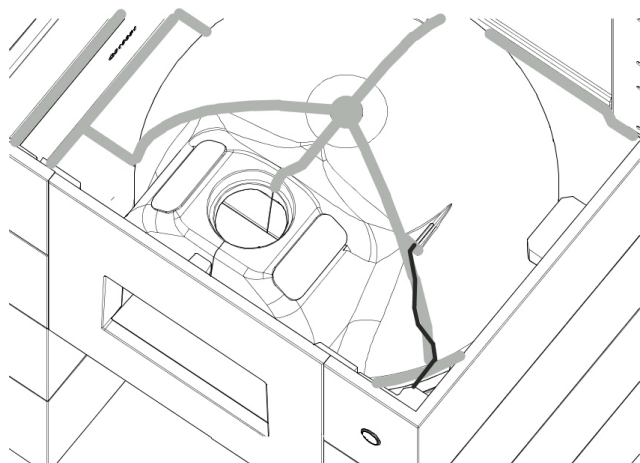
Now tighten all screws (also below) with a torque of 10 Nm!

32.



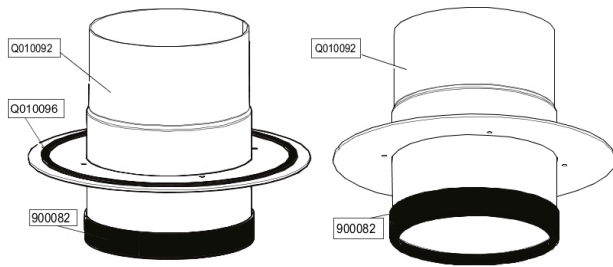
Now tighten all screws (also below) with a torque of 10 Nm!

33.

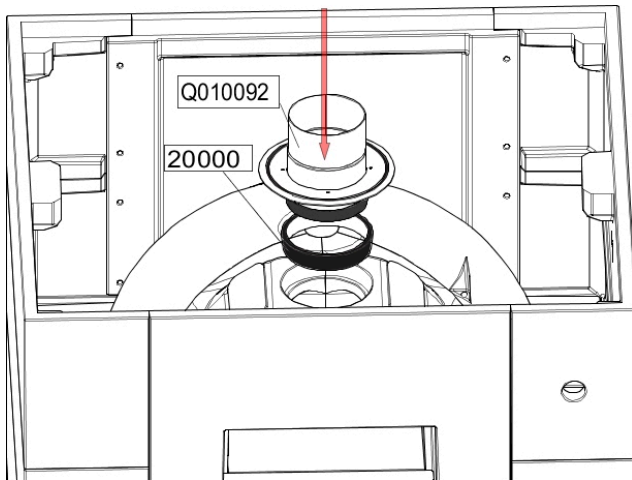


Seal all abutting edges / openings with the enclosed aluminum adhesive tape.

34.

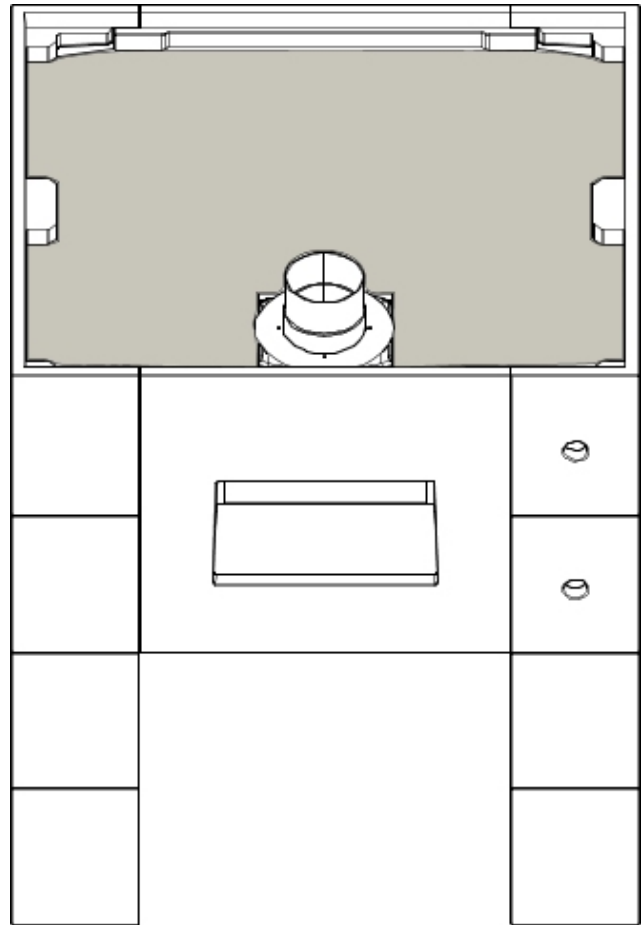


Sealing strips (Q010096 und 900082) are parts of the accessory pack.



Use the ceramic fiber (20000) from the accessory pack to seal the flue pipe connection.

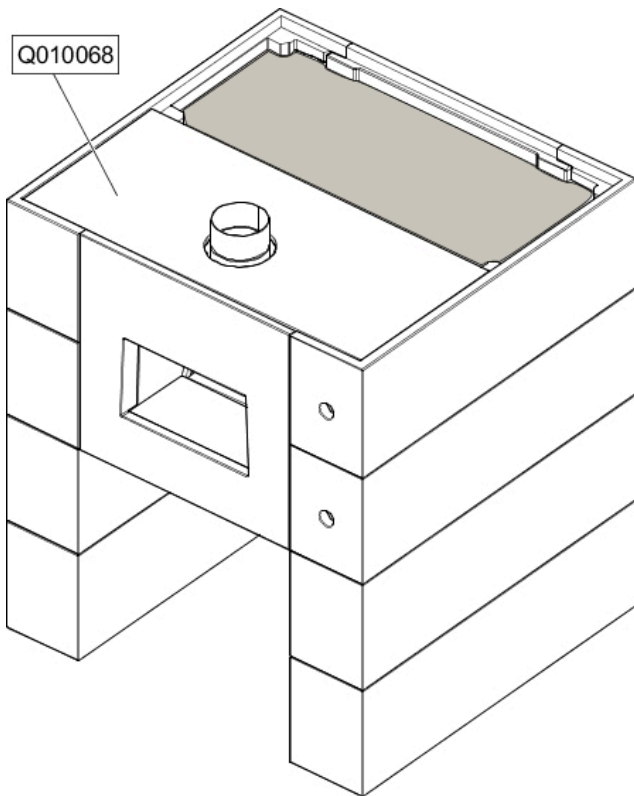
35.



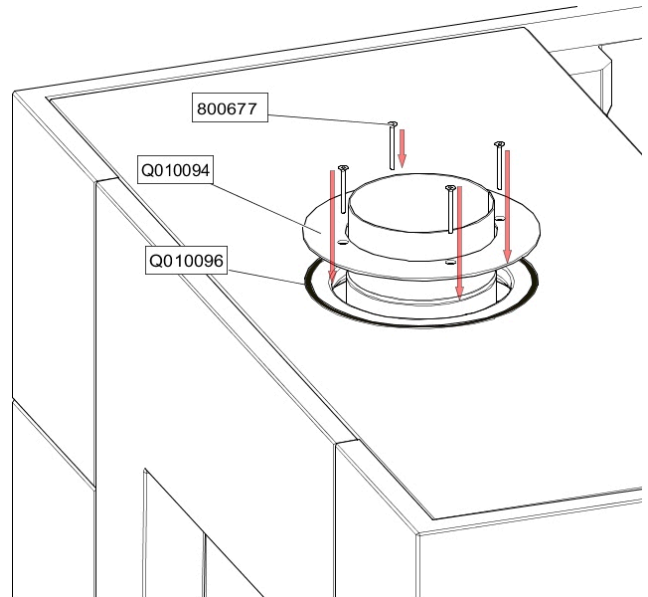
Filling\* (ca. 0,7 m<sup>3</sup>) insert the height shown.

- \* - poraver® expanded glass granulate according to DIN EN 13055-1 Bulk grain 2-4 mm;  
 Colour creme-white; Temperature resistance up to 700 °C; Thermal conductivity 0,07 W/mK (Thermal insulation with abZ); bulk density ca. 190 kg/m<sup>3</sup>  
[www.poraver.com](http://www.poraver.com)
- Bachl HY Perlit Insulation fill of naturally occurring silicate rock of volcanic origin; granulation 0-6 mm; Building material class DIN 4102-1, A1 not flammable according to DIN 4102; Thermal conductivity 0,05 W/mK; Bulk density ca. 90 kg/m<sup>3</sup>  
[www.bachl.de](http://www.bachl.de)

36.

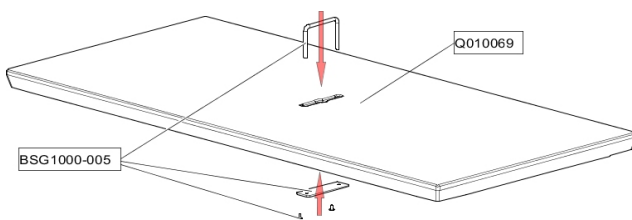


37.

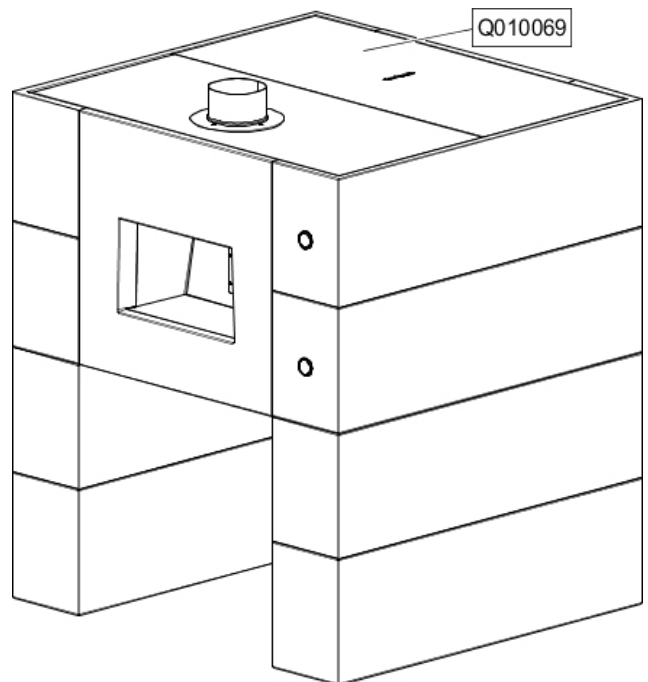


Sealing (Q010096) is included in the accessory pack.

38.

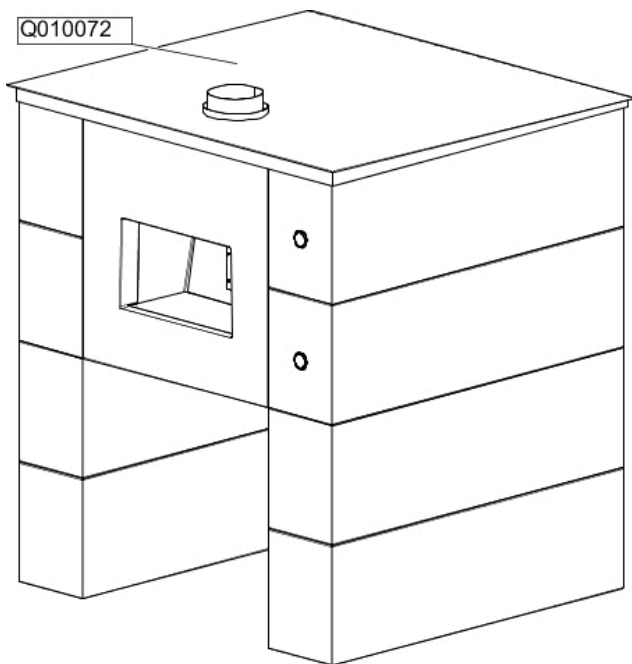


39.



40.

Q010072



## 7 SIDE TABLE

The side table (Q010110) is available as an accessory for the Grannus. We recommend the same as for the Grannus, setting up the side table on the additionally available support bearing. (Q010104).

### Components

Pos.	Designation	Art.nr.:
1	table component	Q010106
2	steel tray	Q010107
3	table component	Q010106
4*)	support bearing	Q010104

\*) must be ordered separately!



The side table is open at the top! A 'table top' must be created on site.  
Please refer to the dimension sheet.  
Tip: Place a second support bearing 'upside down' on the upper table component.

Tip: Place a second support bearing 'upside down' on the upper table component. Any tabletop can then be placed on it (appears like a floating top).

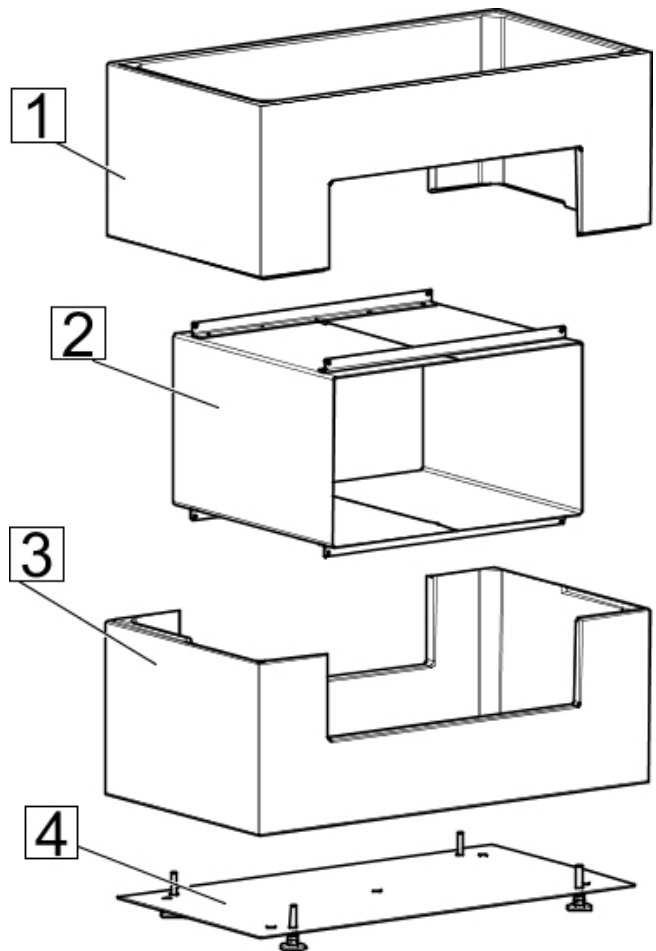
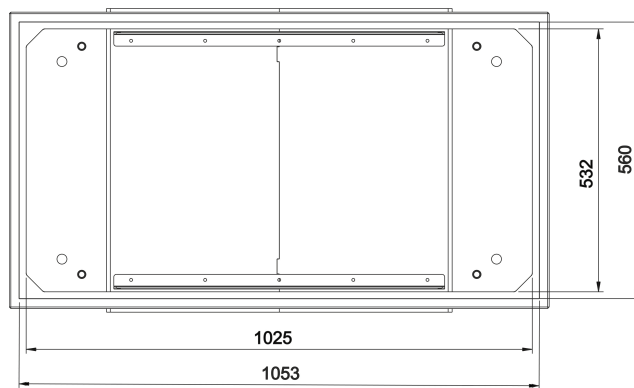
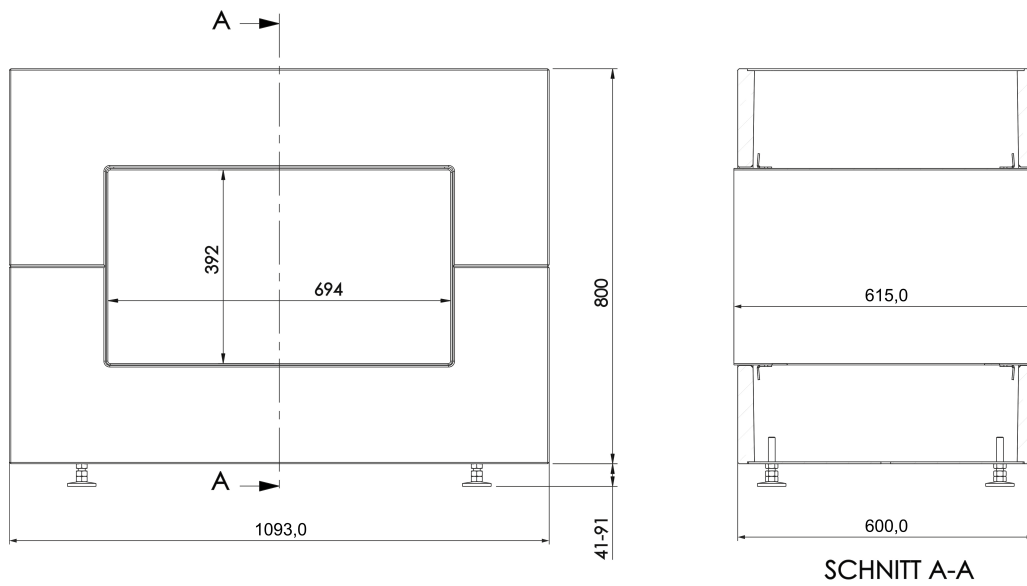


Illustration 3: Components of the side table

### Assembly

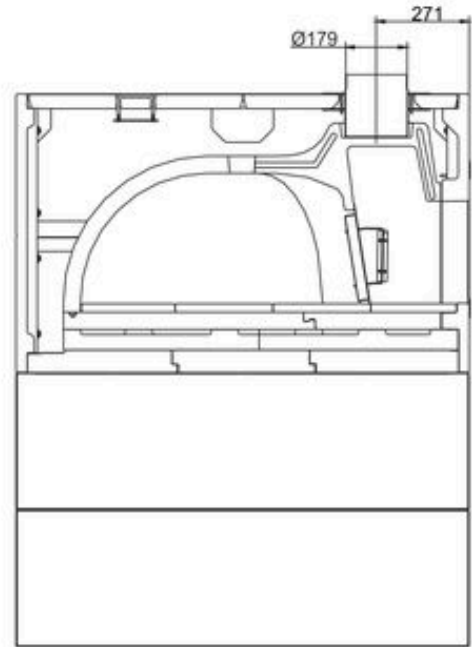
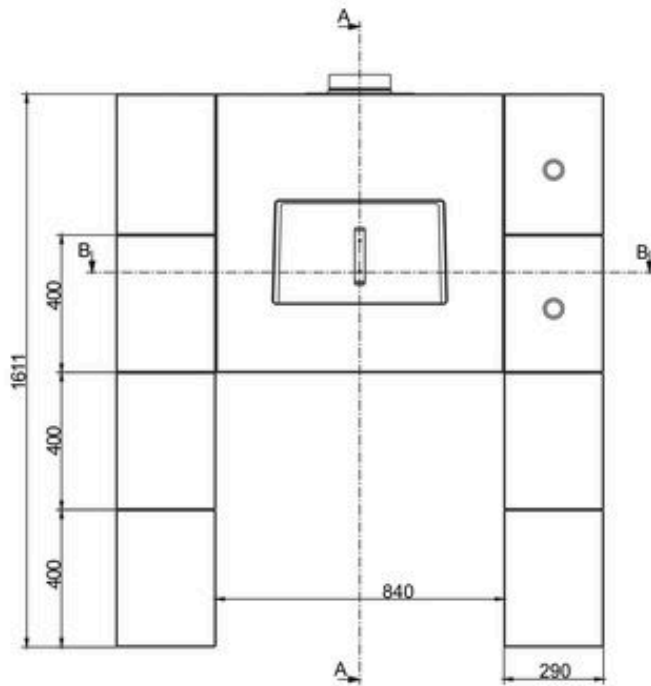
The individual parts of the side table are put together loosely, as shown in the exploded view of the components. The components are not glued or screwed.

## Dimensions

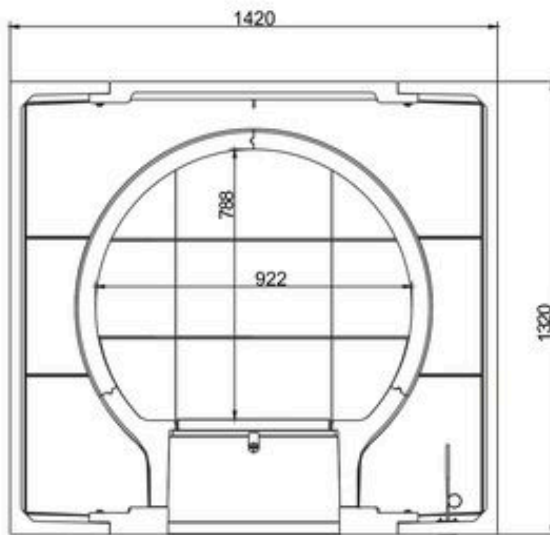


*Illustration 4: Measurements*

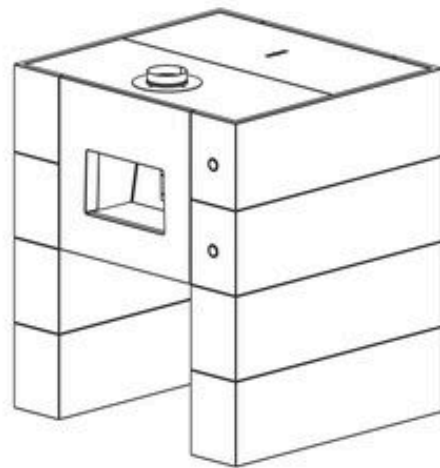
# Dimension sheets - Grannus



A-A

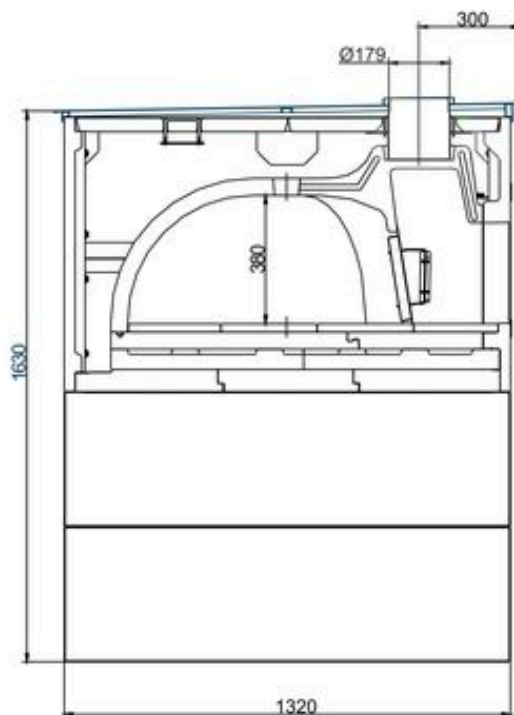
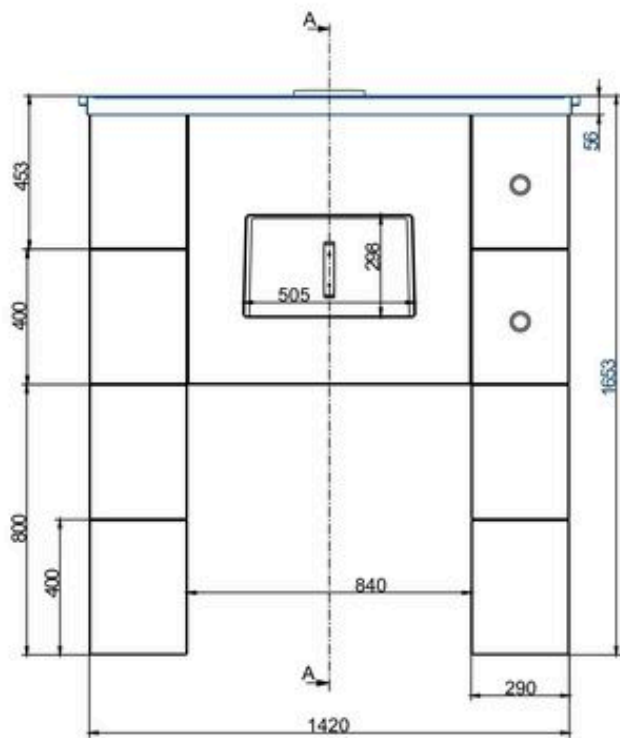


B-B

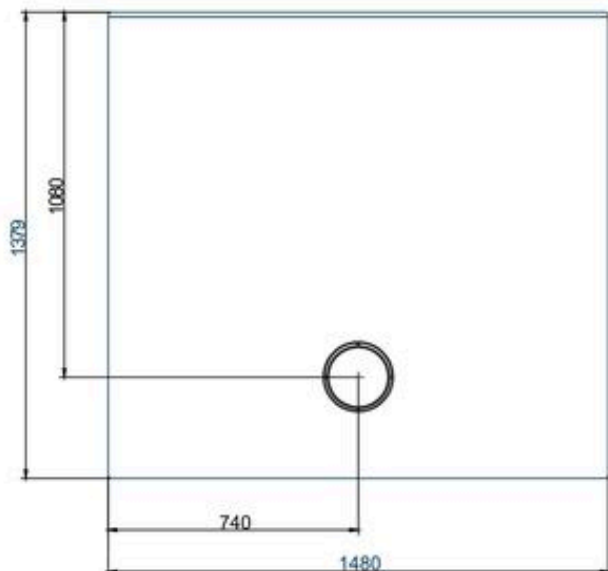




# Dimension sheets - Grannus

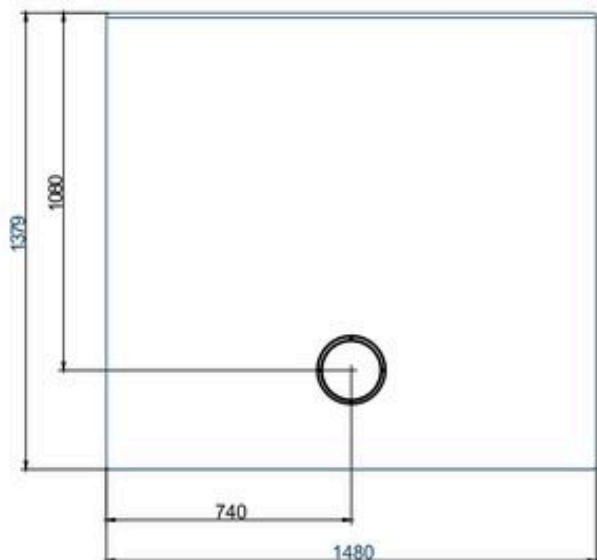
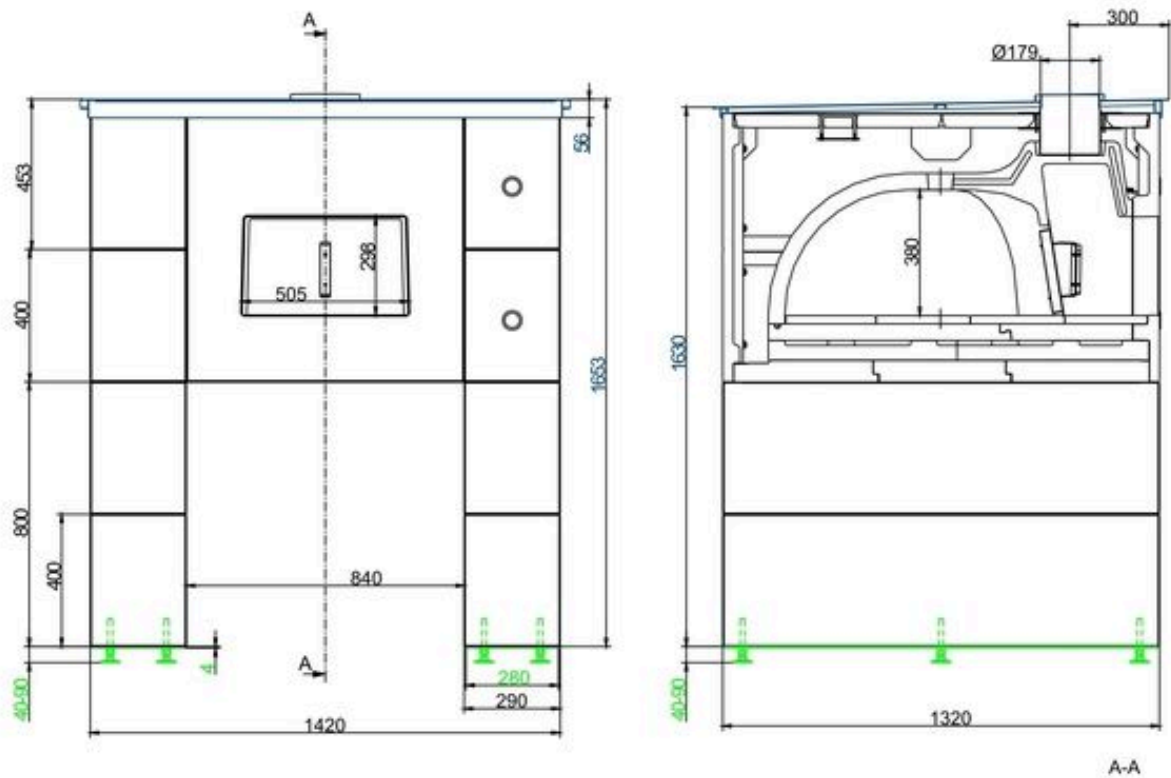


A-A



... with weather protection cover

# Dimension sheets - Grannus



... with weather protection cover and Support bearing

We suggest for CAD planning Palette CAD. Permanent updated drawings: [www.brunner.de](http://www.brunner.de)  
Frames /flue gas outlet connection/ combustion air supply connection/ front variants are marked in color.

## Planning and installation - Grannus

---

**Data <sup>1)</sup>**

Flue outlet nozzle Ø	mm	180
Fuel amount	kg	7

---

**Weight**

Fire-Igloo	kg	443
Total weight	kg	1231

1) On-site accessories (see assembly instructions):

- Treat outdoor components with combined moisture and UV protection
- Insulation fill (e.g. expanded glass granulate, perlite insulation fill) in the space between the fire igloo and cladding; aprox. 700 liters.

Ulrich Brunner GmbH  
Zellhuber Ring 17-18  
D-84307 Eggenfelden  
Tel.: +49 (0) 8721/771-0 / Fax: +49 (0) 8721/771-100  
Email: info@brunner.de

Technical and assortment changes as well as errors and misprints reserved.  
Reprinting and reproduction, even in part, only with the express permission of the publisher.

Art.Nr.: 202563