

Cooking and baking



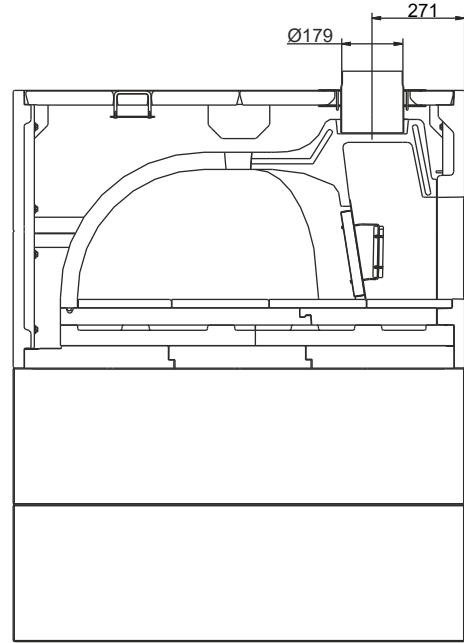
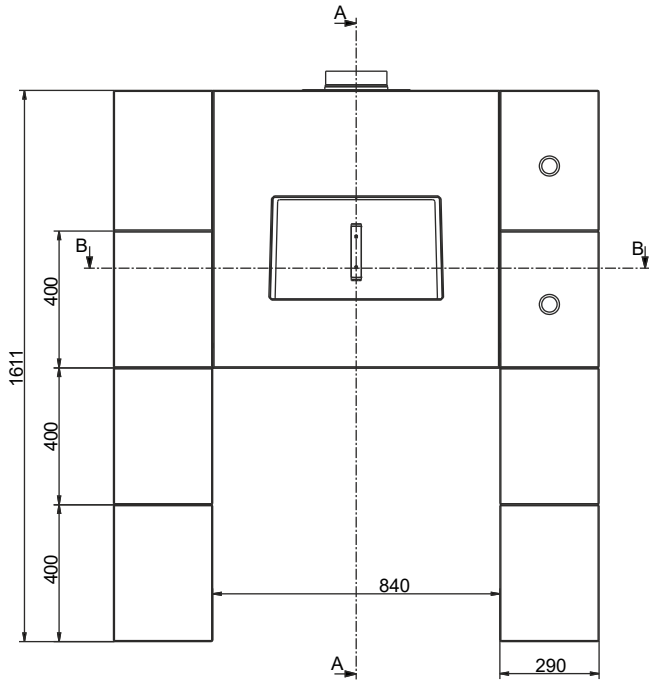
Grannus

State: 2023-08-30

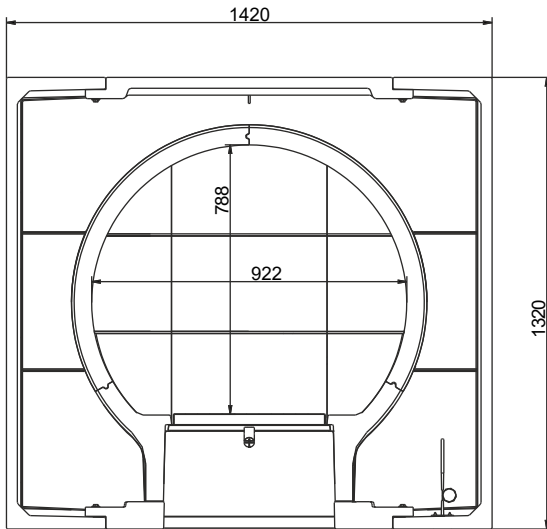


BRUNNER[®]
made in germany.

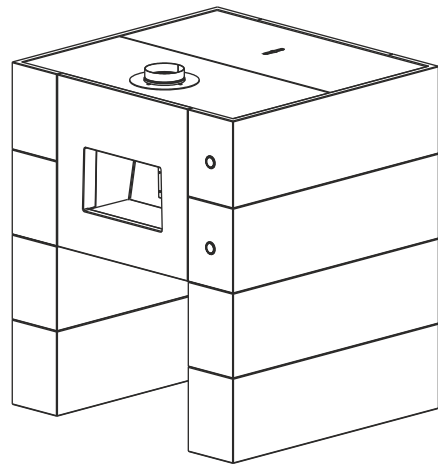
Dimension sheets - Grannus



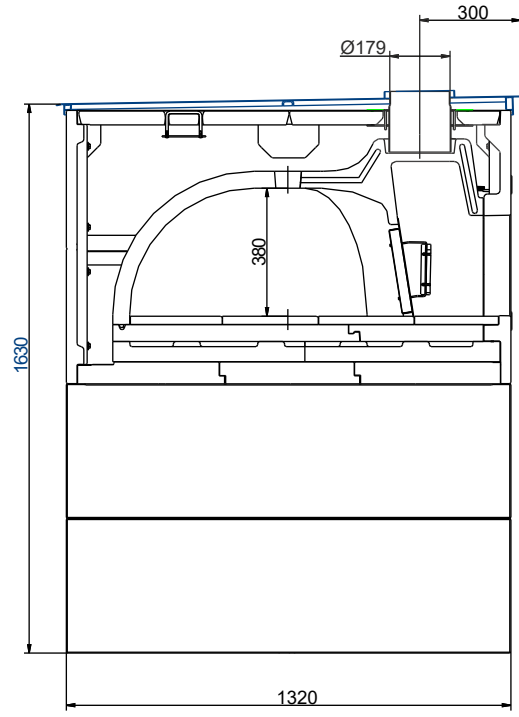
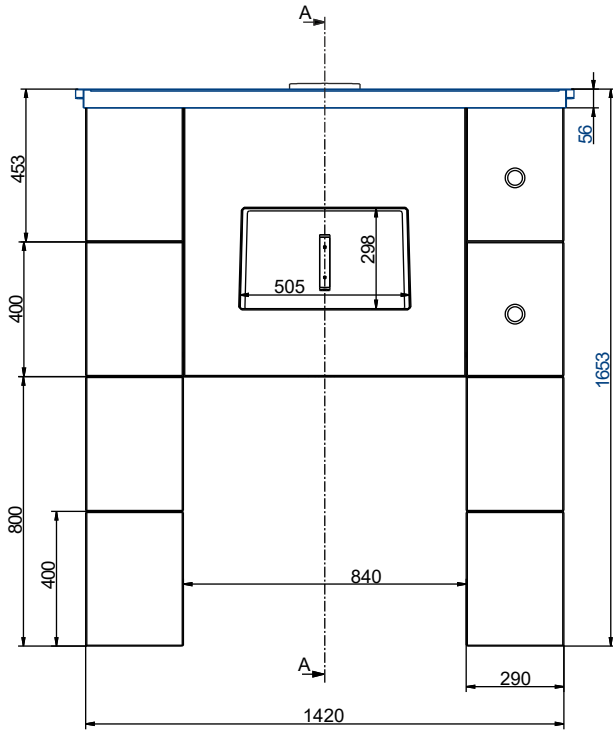
A-A



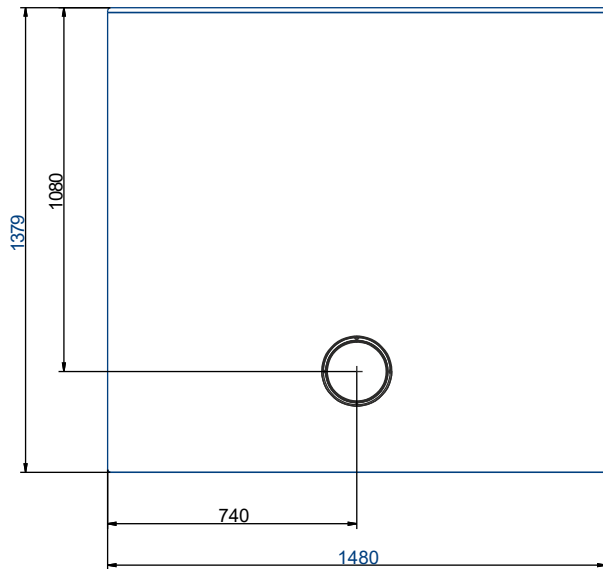
B-B



Dimension sheets - Grannus

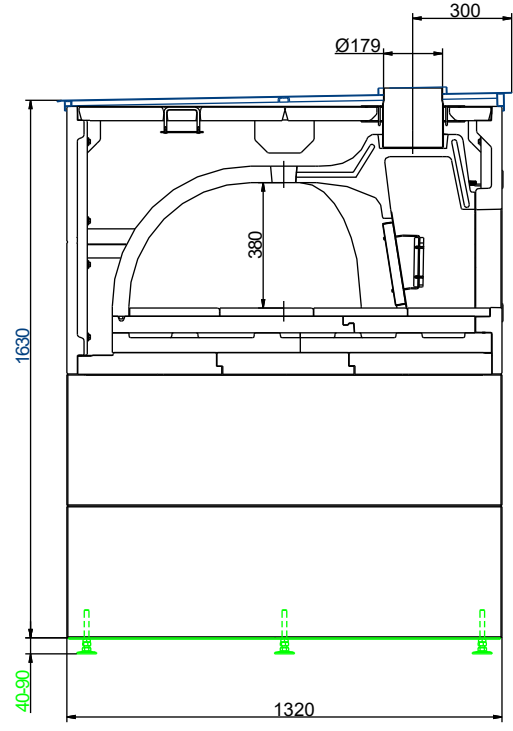
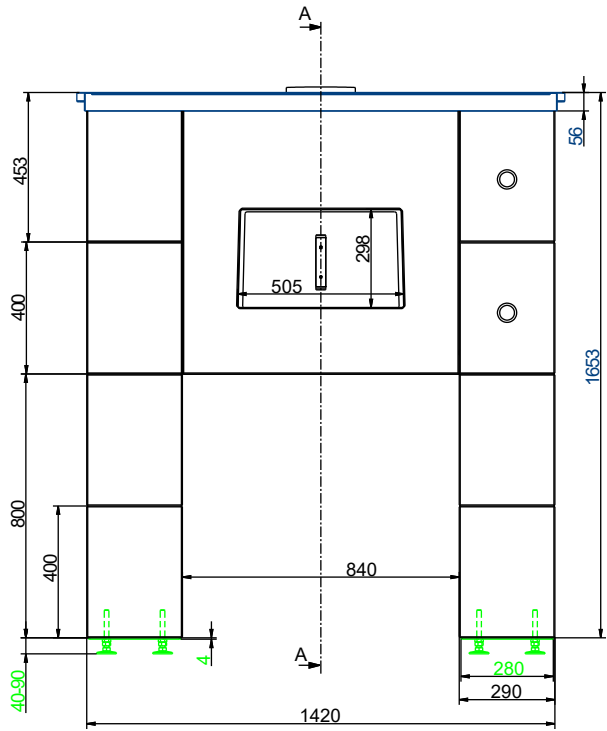


A-A

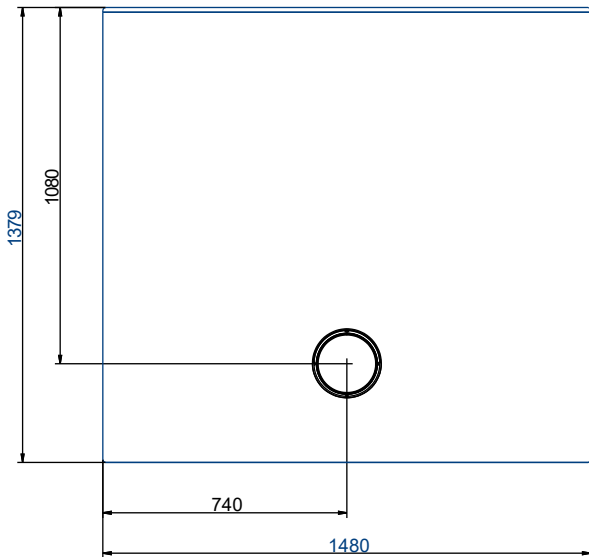


... with weather protection cover

Dimension sheets - Grannus

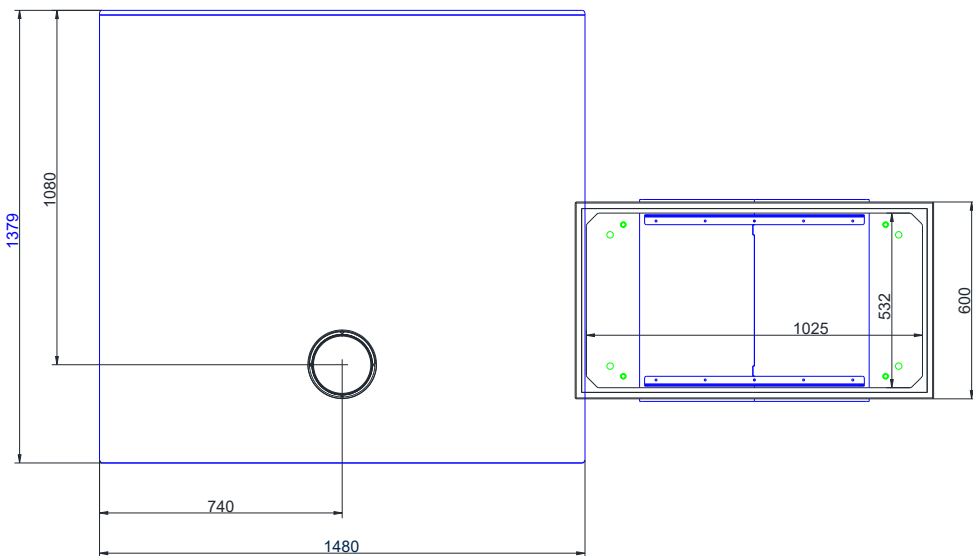
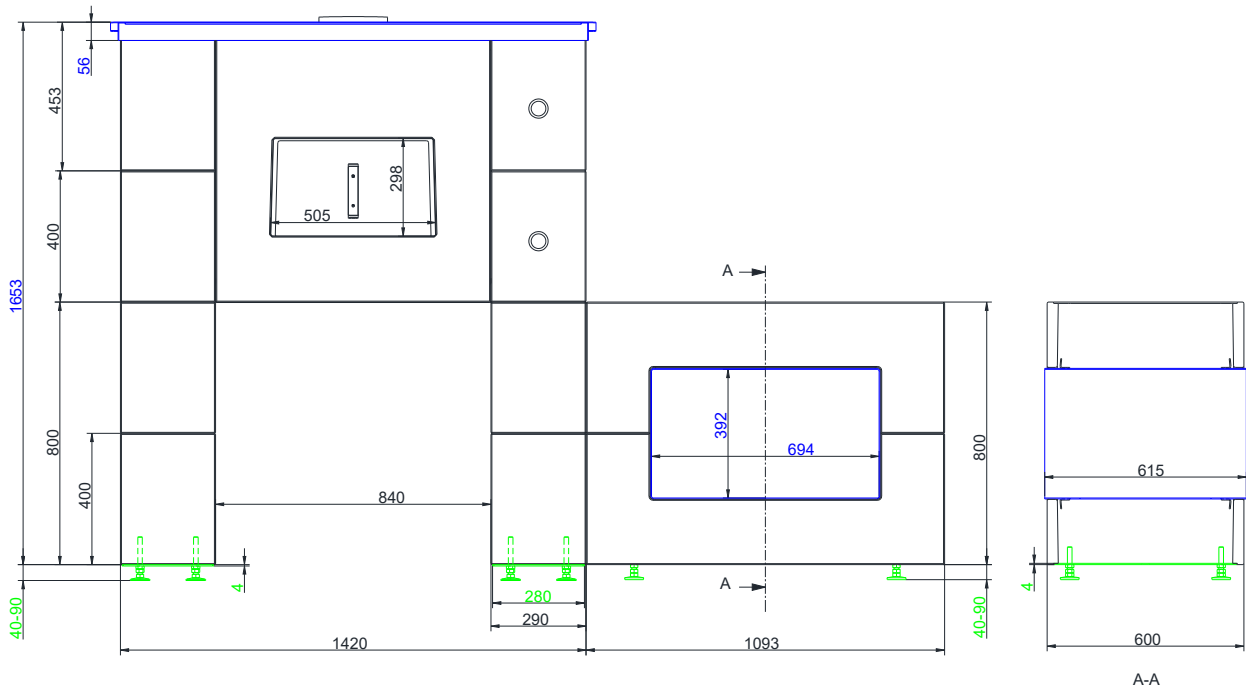


A-A



... with weather protection cover and Support bearing

Dimension sheets - Grannus



... with weather protection cover and side table (table top on site)

We suggest for CAD planning Palette CAD. Permanent updated drawings: www.brunner.de
 Frames/ flue gas outlet connection/ combustion air supply connection/ front variants/ support bearing are marked in color.

Planning and installation - Grannus

Data ¹⁾

Flue outlet nozzle Ø	mm	180
Fuel amount	kg	7

Weight

Fire-Igloo	kg	443
Total weight	kg	1445

1) On-site accessories (see assembly instructions):

- Treat outdoor components with combined moisture and UV protection
- Insulation fill (e.g. expanded glass granulate, perlite insulation fill) in the space between the fire igloo and cladding; aprox. 700 liters.