

BRUNNER MASONRY STOVES



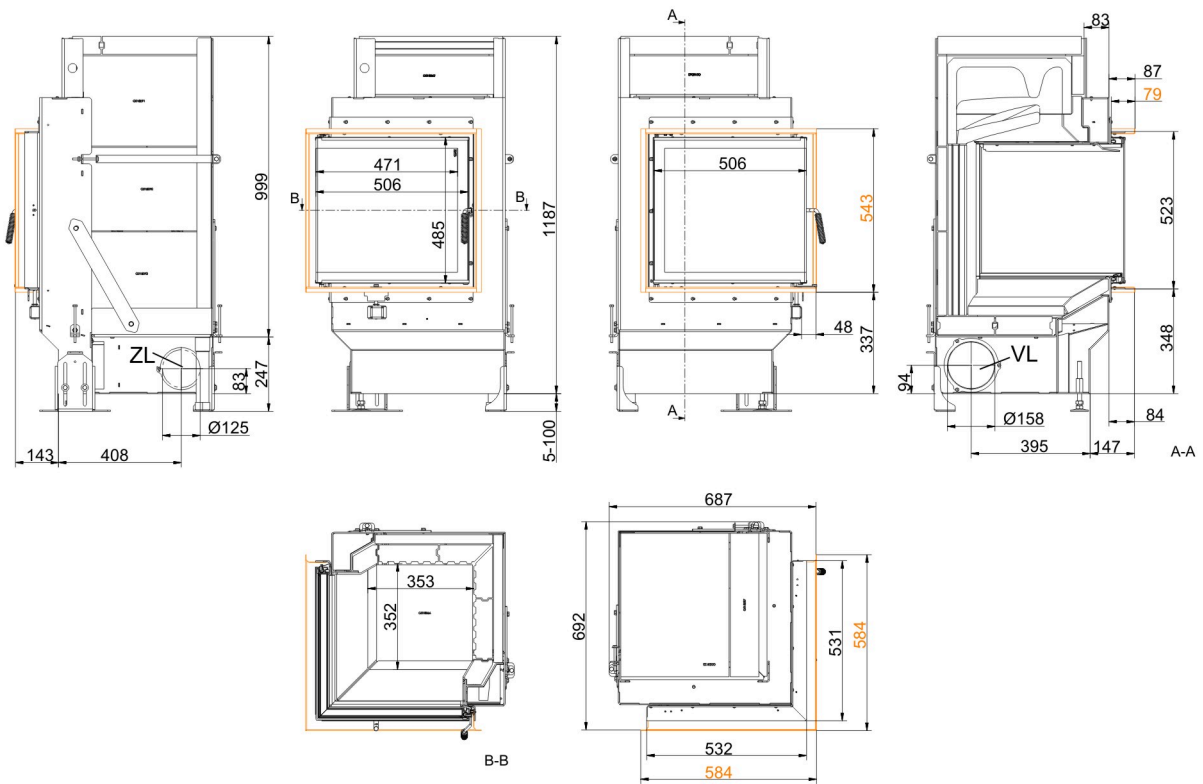
GOT-Eck 51/52/52-ZL with GOF 35x35

State: 2023-09-11

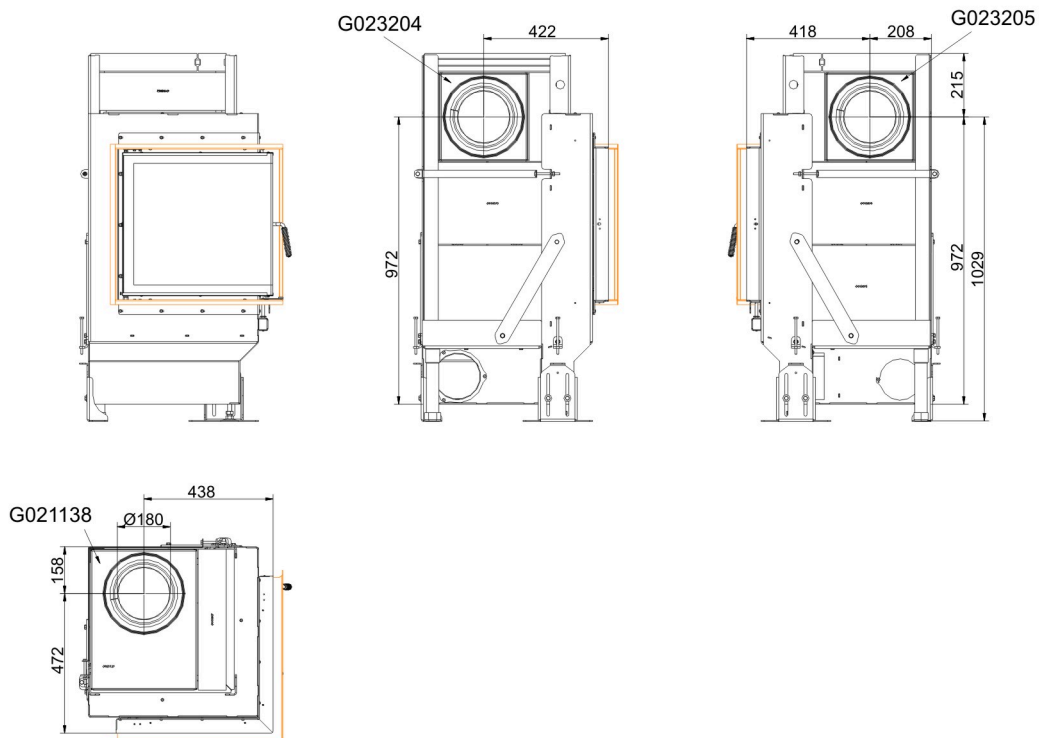


BRUNNER[®]
made in germany.

Dimension sheets - GOT-Eck 51/52/52-ZL with GOF 35x35

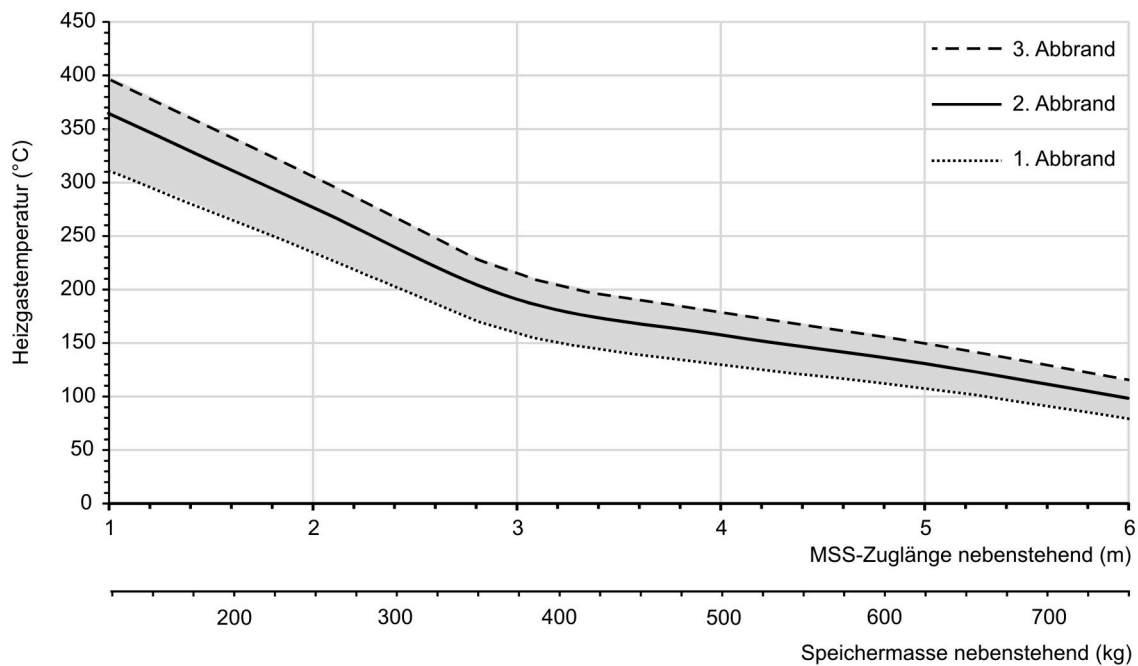


... side opening with door frame



... side-opening door with ceramic duct connecting pieces

Dimension sheets - GOT-Eck 51/52/52-ZL with GOF 35x35



Design characteristics for adjacent storage mass

We suggest for CAD planning Palette CAD. Permanent updated drawings: www.brunner.de

Frames/ flue gas outlet connection/ combustion air supply connection/ front variants/ support bearing are marked in color.

Planning and installation - GOT-Eck 51/52/52-ZL with GOF 35x35

Tested according to		EN 15250	EN 15250
Values measured at		top-mount accumulator	adjacent accumulator
ceramic accumulator ¹⁾	kg	300	400
MSS	m / kg	2,3; 280	3,0; 388
Suitable for all construction types according to rules		OK	OK
Data for functional demonstration			
Fire wood volume	kg/h	7.1	7.9
Combustion performance	kW	28.4	31.6
Flue gas mass flow	g/s	22	24.4
Outlet temperature (before reheating surface)	°C	530	530
Flue gas temperature after:			
ceramic accumulator ¹⁾	°C	180	180
accumulation stones (MSS) ¹⁾	°C	210	195
Necessary supply pressure ²⁾	Pa	12	12
Load of wood 1st/2nd combustion cycle	kg	7 + 4	8 + 4
Combustion air consumption	m ³ /h	64	71
Combustion air connection Ø	mm	160	160
Heating gas temperature (before the hood/dome variant)			
insert flue outlet nozzle	°C	530	530
Heat distribution			
Insert / reheating surface	%	15 / 50	15 / 50
Glass pane (single / double)	%	35 / -	35 / -
Weight			
Fireplace / combustion chamber	kg	306	
Meets requirement/limit values for:			
Germany/ Austria / Switzerland / Norway		1.BImSchV (Stufe 2) / 15a BVG (2015) / - / -	

- 1) Approximate value. Determination according to design characteristics for adjacent storage mass or proof of function provided by calculation
2) For GOF without storage mass; 1m MSS = 0,4 Pa pressure drop