

BRUNNER SYSTEM MASONRY HEATERS



BSG 02 with MSS

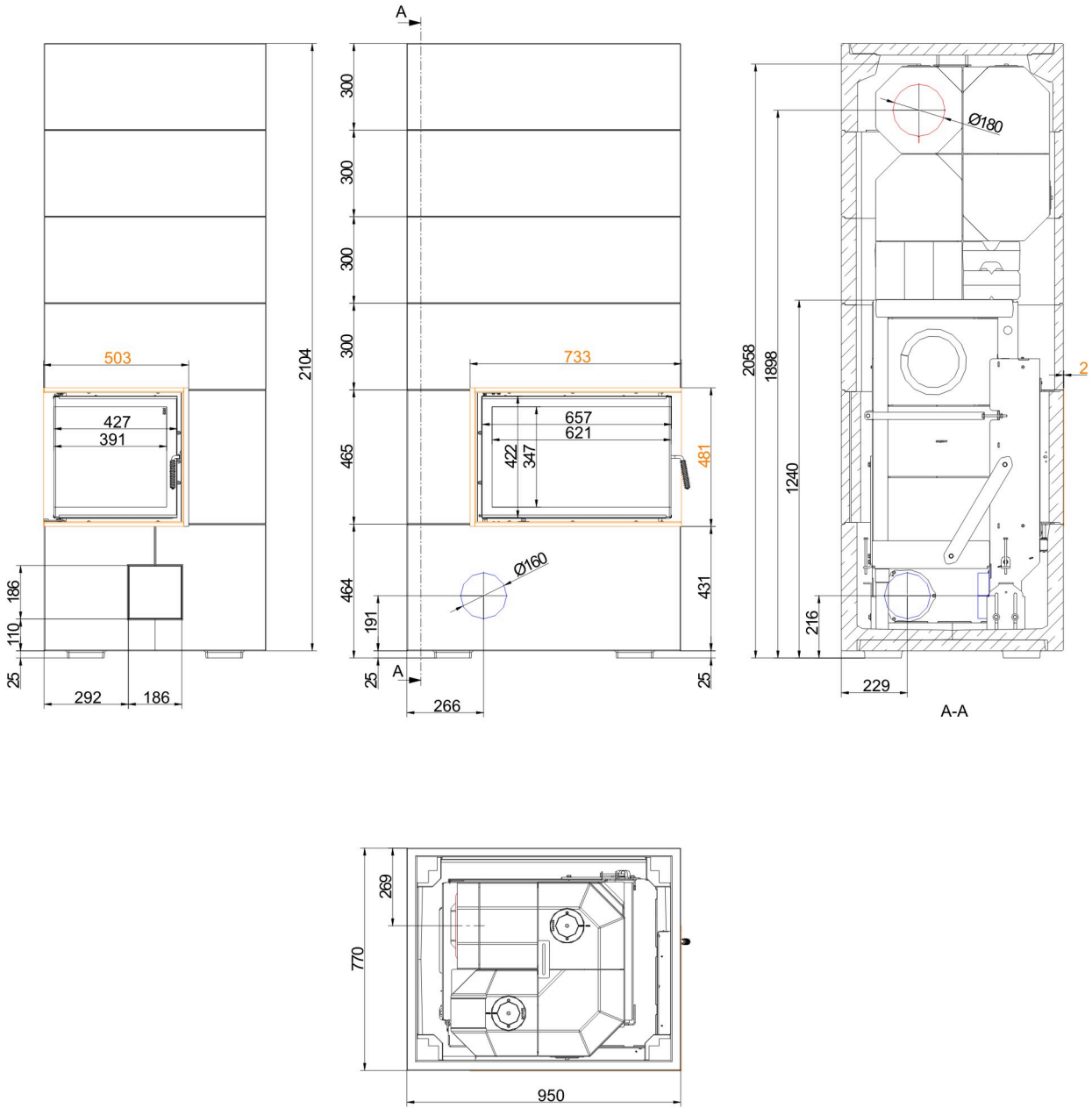
for GOT Eck 45/67/44-
ZL DT with GOF 50x35

State: 2023-09-11



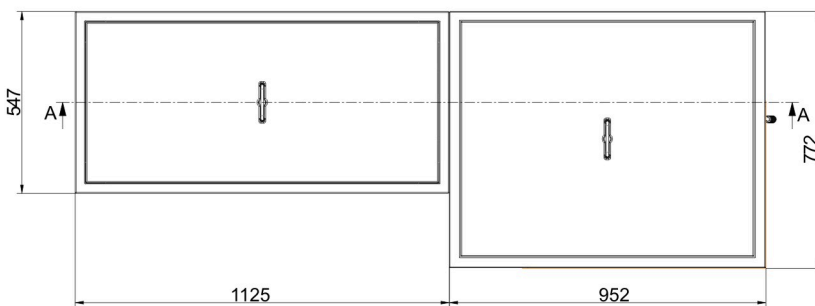
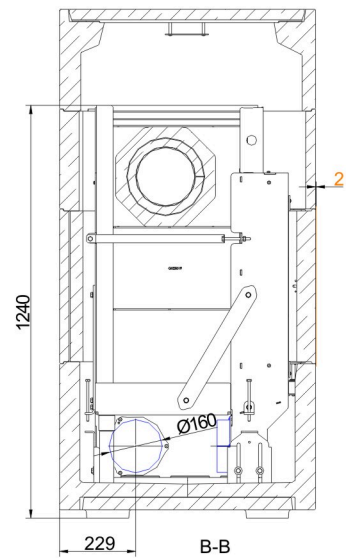
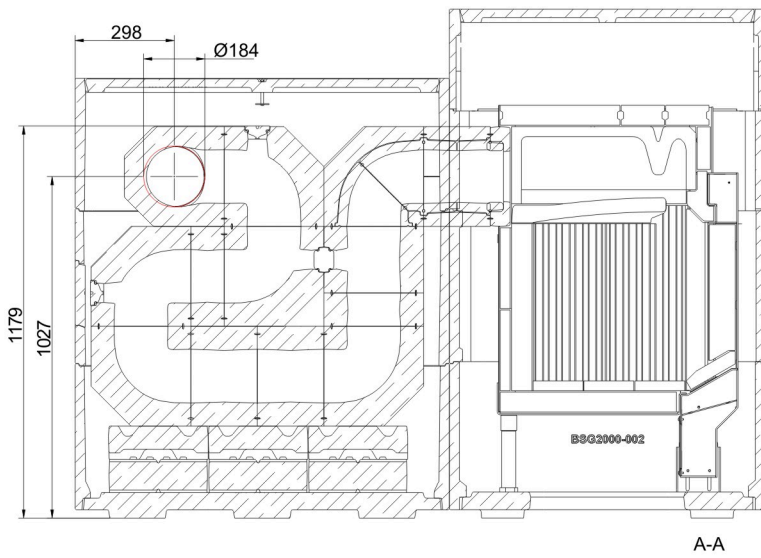
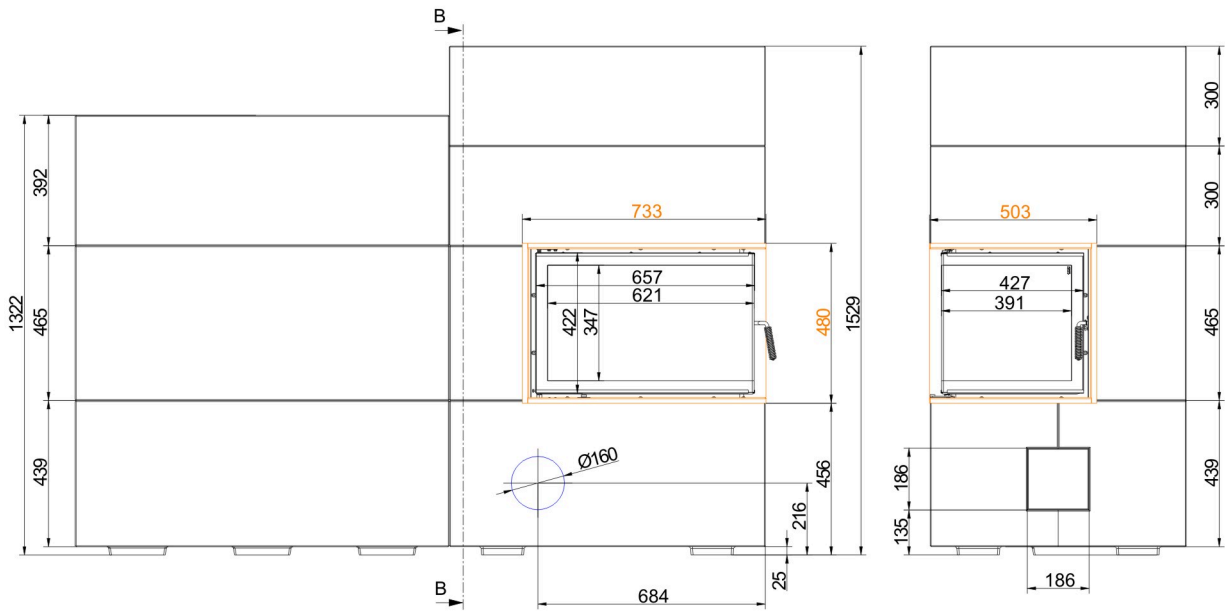
BRUNNER[®]
made in germany.

Dimension sheets - BSG 02 with MSS



... top-mount

Dimension sheets - BSG 02 with MSS



... adjacent

We suggest for CAD planning Palette CAD. Permanent updated drawings: www.brunner.de
 Frames/ flue gas outlet connection/ combustion air supply connection/ front variants/ support bearing are marked in color.

Planning and installation - BSG 02 with MSS

Tested according to		EN 15250	EN 15250
Values measured at		top-mount MSS	adjacent MSS
Data for functional demonstration			
System power ¹⁾	kW	2.5	3
Fire wood volume	kg/h	7.9	7.9
Combustion duration	h	2	2
Time of heat release ²⁾	h	12	12
Combustion performance	kW	31.6	31.6
Flue gas mass flow	g/s	24.4	24.4
Outlet temperature (before reheating surface)	°C	530	530
Flue gas temperature after:			
accumulation stones (MSS)	°C	210	195
Necessary supply pressure	Pa	13	13
Total fuel load	kg	12.5	13.5
Load of wood 1st/2nd combustion cycle	kg	8 + 4,5	8 + 5,5
Combustion air consumption	m ³ /h	71	71
Combustion air connection Ø	mm	160	160
Minimal distances			
to mounting wall	cm	5	5
to combustible mounting wall	cm	10	10
from top of fireplace to ceiling	cm	30	30
Heat distribution			
Insert / reheating surface	%	15 / 50	15 / 50
Glass pane (single / double)	%	35 / -	35 / -
Weight			
Combustion chamber / accumulator	kg	415 / 300	415 / 343
Cladding ³⁾	kg	467	663
Total weight	kg	1182	1421
Meets requirement/limit values for:			
Germany/ Austria / Switzerland / Norway		1.BImSchV (Stufe 2) / 15a BVG (2015) / LRV / -	

- 1) Average heating power of the system (heat storage duration) with load of wood 1st/2nd combustion cycle
- 2) Time from firing star to reaching 25% of the maximum surface temperature against the room temperature
- 3) Quality features of the cladding components in concrete look (fair-faced concrete class 2-3)

Dimensional tolerances of the casting mold parts

Straightness: +- 2 mm/m

Length/width/thickness: +- 2 mm

Squareness: +- 2 mm

Flatness: +- 2,5 mm

Surface to visible side

Textur: closed and largely uniform; repair areas with color changes and hairline cracks permissible.

Porosity: max. three holes with diameter <10 mm and depth <10 mm (reference area 100x100 mm).

Colour shade: uniform, large-area light/dark discolouration and cement haze permissible; no rust and dirt spots as well as different bulk layers.

Note: deviations in color tone (e.g. extension rings) can be adjusted by applying a glaze-like paint (our recommendation: DecoLasur Matt tinted in the colour shade Schiefer16, Caparol).

With the BRUNNER revision set (Art. No. 900300), touch-up work can be carried out on the cladding components.