

TILE STOVE INSERTS FROM BRUNNER



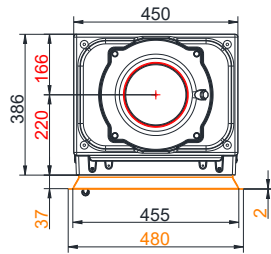
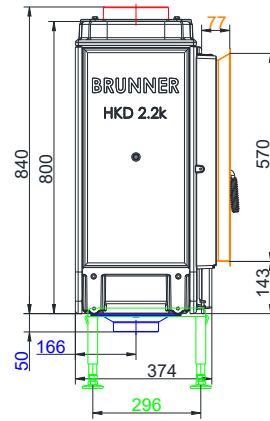
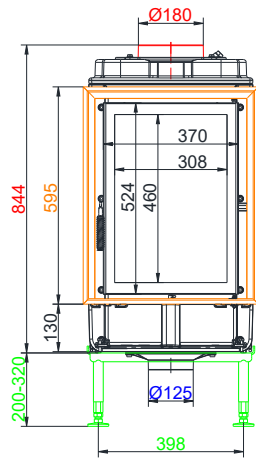
HKD 2.2k flat and round

State: 2023-08-29

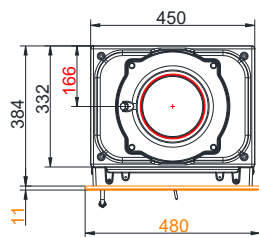
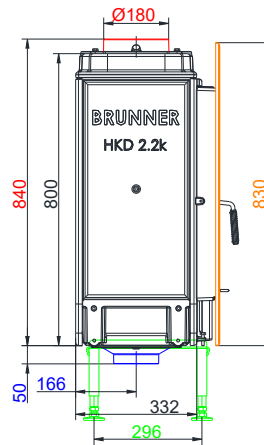
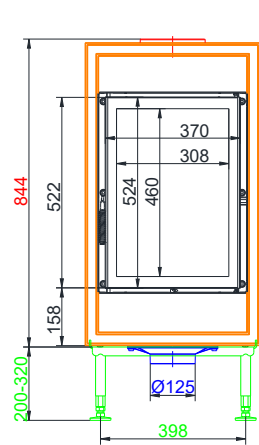


BRUNNER[®]
made in germany.

Dimension sheets - HKD 2.2k flat and round

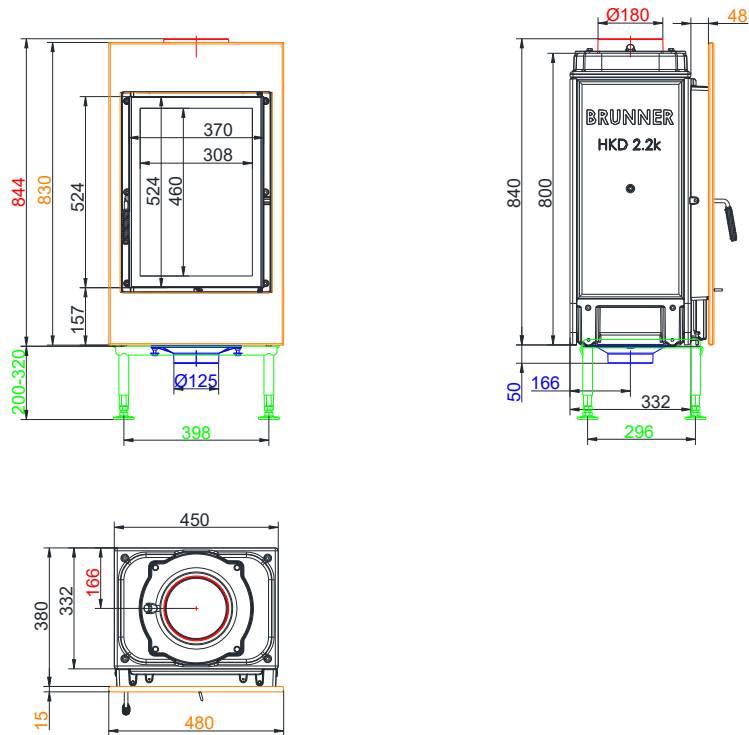


... flat with door frame

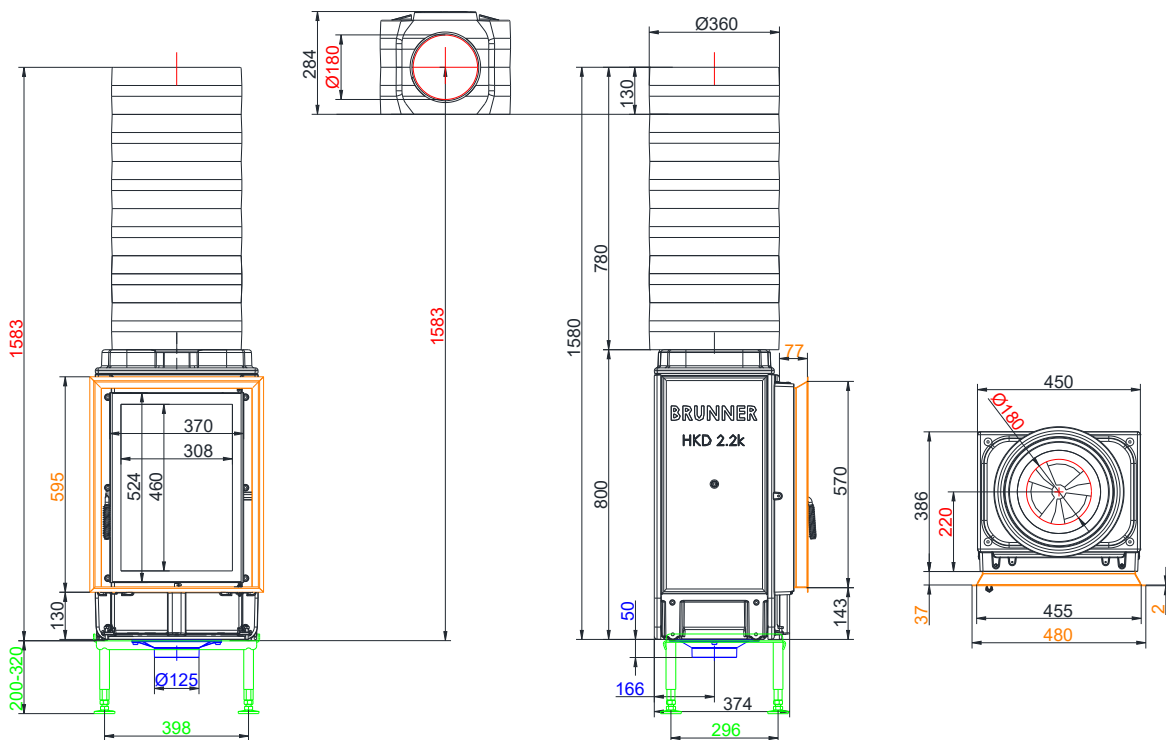


... with Cast iron front plate

Dimension sheets - HKD 2.2k flat and round

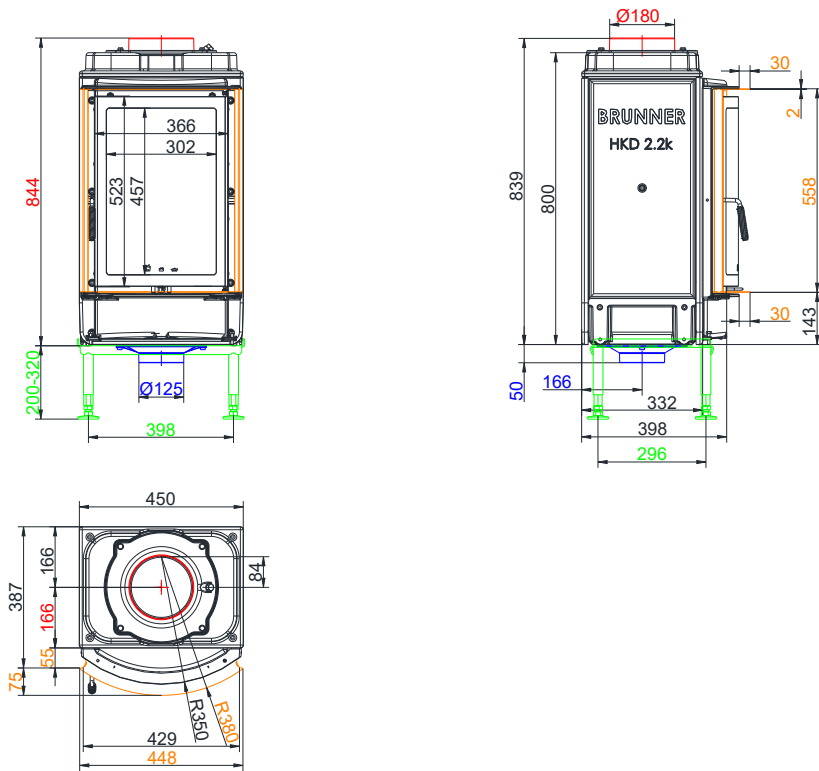


... flat with steel front plate

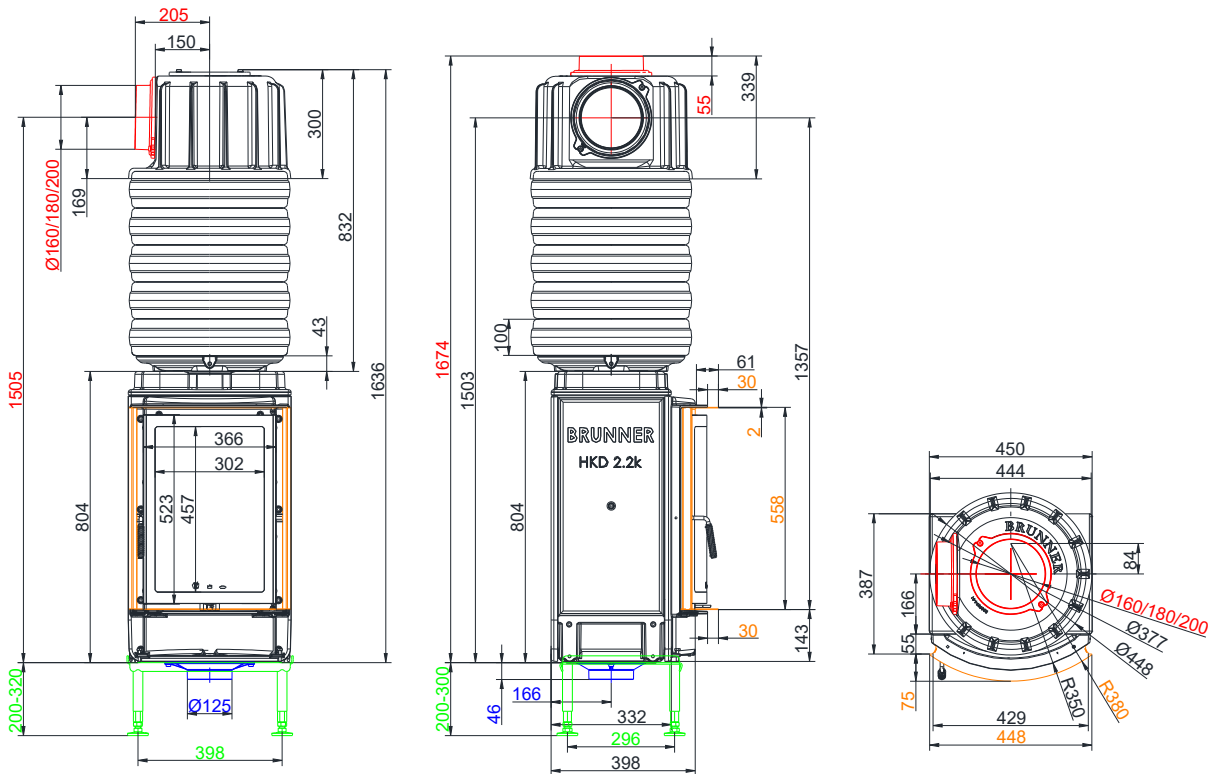


... flat with door frame and MAS 360

Dimension sheets - HKD 2.2k flat and round

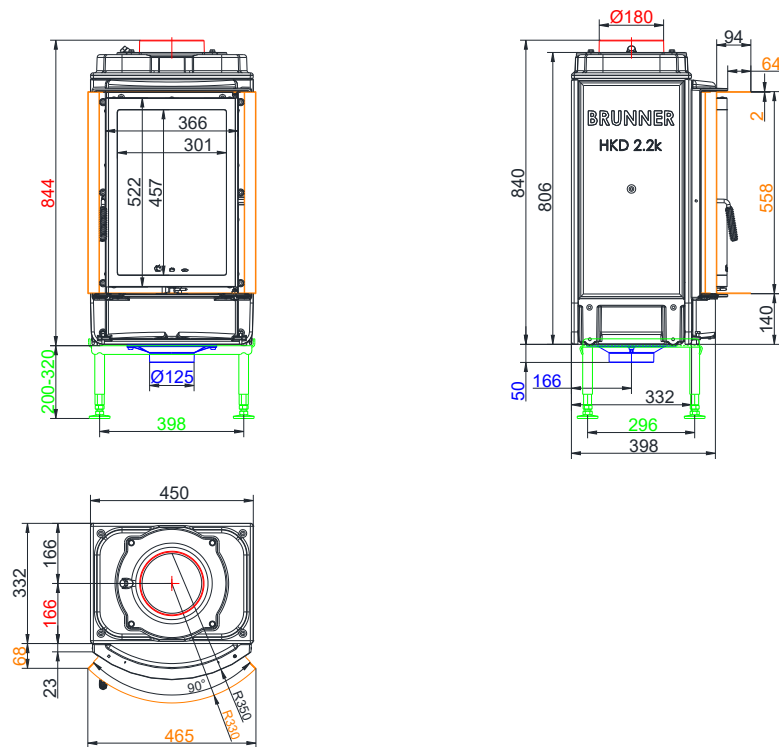


... round with door frame R=380

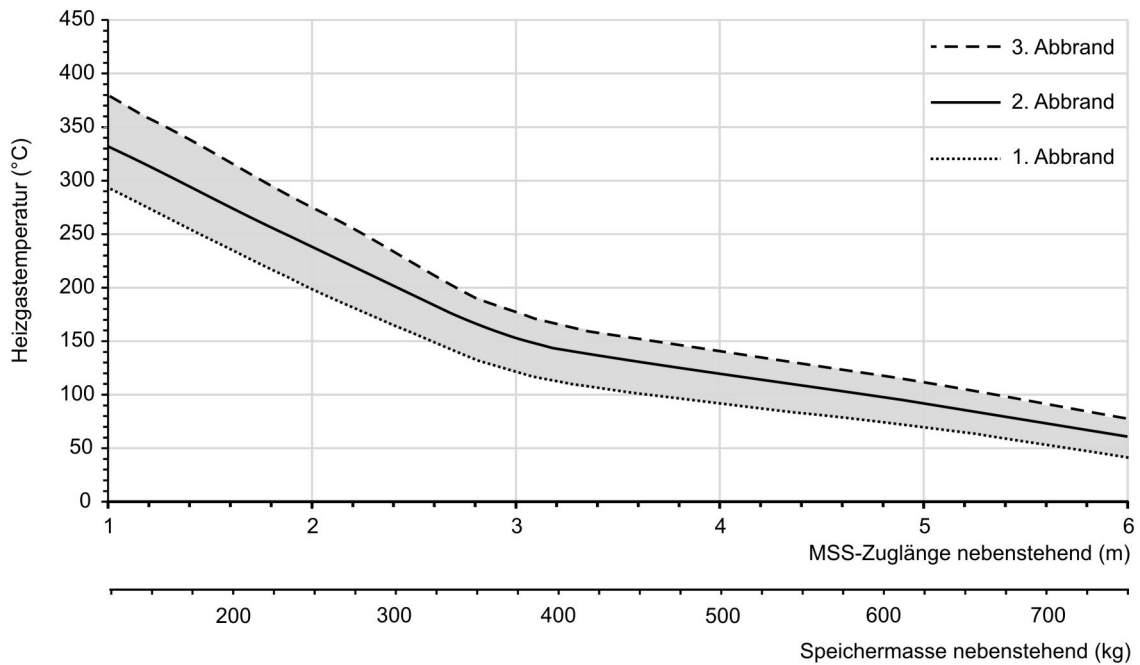


... round with door frame R=380 and MAS 440

Dimension sheets - HKD 2.2k flat and round



... round with door frame R=330



Design characteristics for adjacent storage mass

We suggest for CAD planning Palette CAD. Permanent updated drawings: www.brunner.de
 Frames/ flue gas outlet connection/ combustion air supply connection/ front variants/ support bearing are marked in color.

Planning and installation - HKD 2.2k flat and round

Tested according to		EN 13229 W	EN 13229 WA
Values measured at		Rated power ¹⁾	Storage operation ²⁾
Suitable for all construction types according to rules		OK	OK
Data for functional demonstration			
Rated heat power	kW	7	-
Fire wood volume	kg/h	2.5	4
Combustion performance	kW	8	17
Flue gas mass flow	g/s	7.5	17
Outlet temperature (before reheating surface)	°C	530	540
Flue gas temperature after:			
1 x adjoining cast iron radiator (GNF 8/10)	°C	165	185
5 x accumulation rings incl. MAS casted cover ³⁾	°C	220	-
3,3 m ceramic accumulator ⁴⁾	°C	-	180
2,2 m accumulation stones (MSS) ⁴⁾	°C	-	215
Necessary supply pressure	Pa	12	15
Combustion air consumption	m ³ /h	25	45
Combustion air connection Ø	mm	125	125
Heating gas temperature (before the hood/dome variant)			
cast iron dome	°C	530	540
Heat distribution			
Insert / reheating surface	%	45 / 40 - 45	45 / 40 - 45
Glass pane (single / double)	%	15 / 10	15 / 10
Cross-section of gratings ⁵⁾			
Convection air	cm ²	500 / 250 / 550	500 / 250 / 550
Supply air	cm ²	500 / 250 / 550	500 / 250 / 550
Minimal distances of the fireplace			
to cladding, insulation layer	cm	6	6
to mounting floor	cm	15	15
Thermal insulation without / with air gratings ⁶⁾			
Mounting wall	cm	14 / 10	14 / 10
Floor	cm	0	0
Ceiling	cm	22 / 16	22 / 16
Brick lining for combustible wall	cm	10	10
Weight			
Fireplace / combustion chamber	kg	192 / 49	
Meets requirement/limit values for:			
Germany/ Austria / Switzerland / Norway		1.BImSchV (Stufe 2) / 15a BVG (2015) / LRV / -	

- 1) Indications to "Rated power" determined with metallic reheating surface
- 2) Indications to "Storage operation" for the manual execution of the reheating surface (guide values).
- 3) Damper flap recommended
- 4) Approximate value. Determination according to design characteristics for adjacent storage mass or proof of function provided by calculation
- 5) for fireplace inserts / flue gas pipe / metallic reheating surface
- 6) Values determined with air cross-sections evaluated by testing; stove cladding is heat emitting.