

TILE STOVE INSERTS FROM BRUNNER



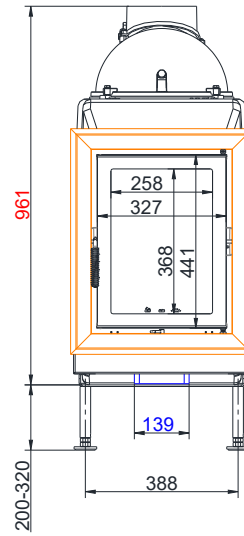
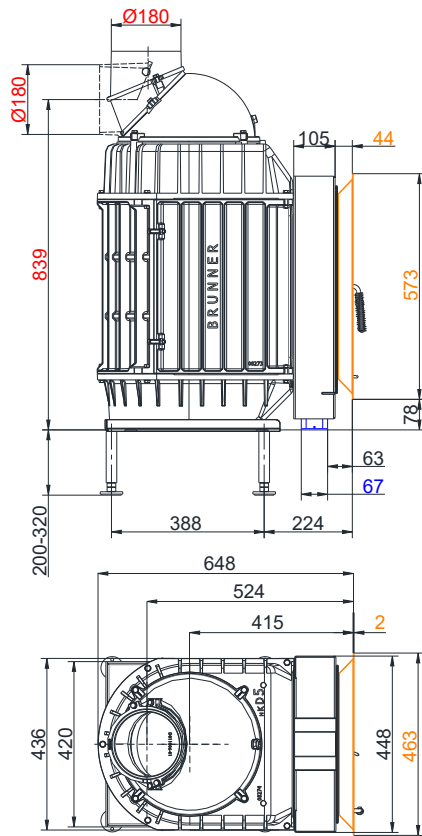
HKD 5.1

State: 2023-08-29

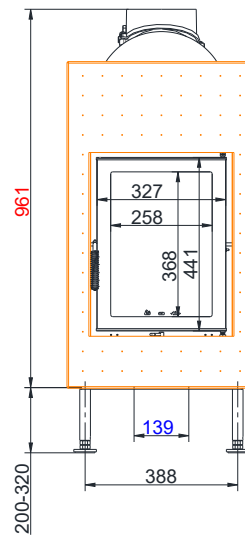
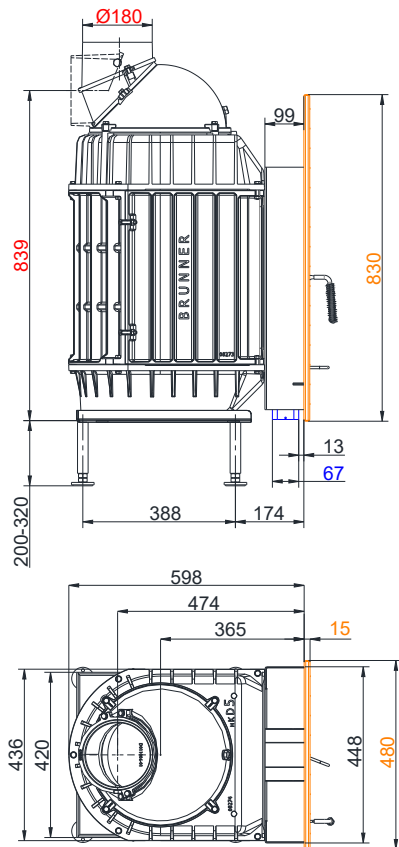


BRUNNER[®]
made in germany.

Dimension sheets - HKD 5.1

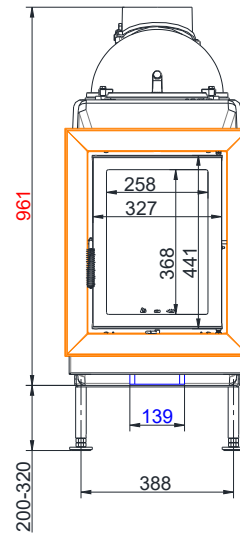
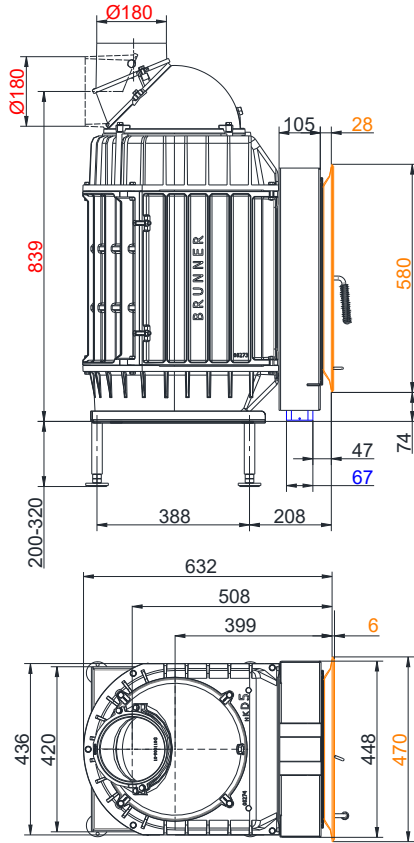


... with steel door frame

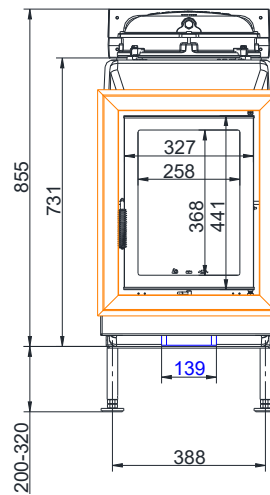
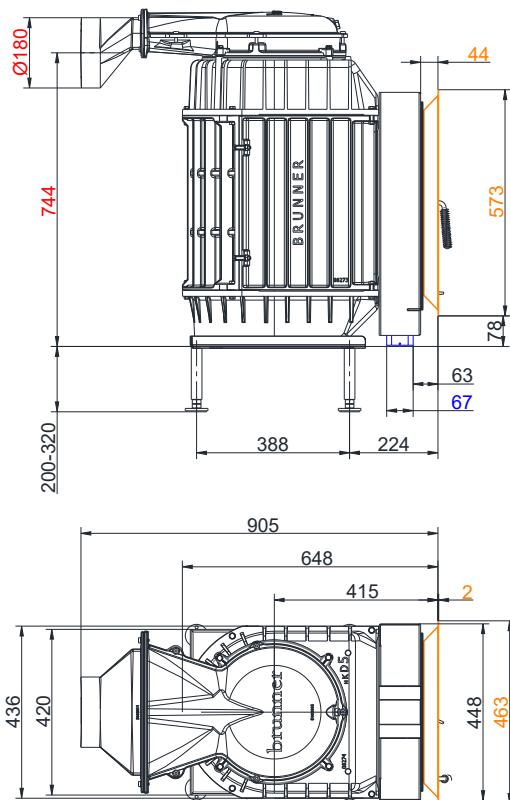


... with steel front plate

Dimension sheets - HKD 5.1

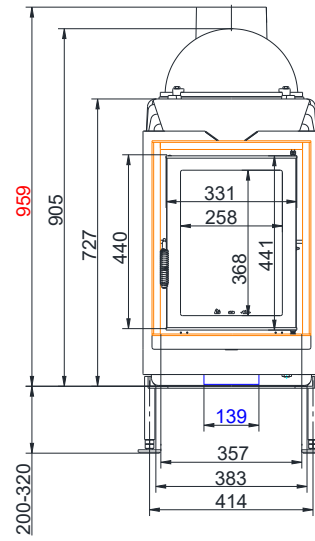
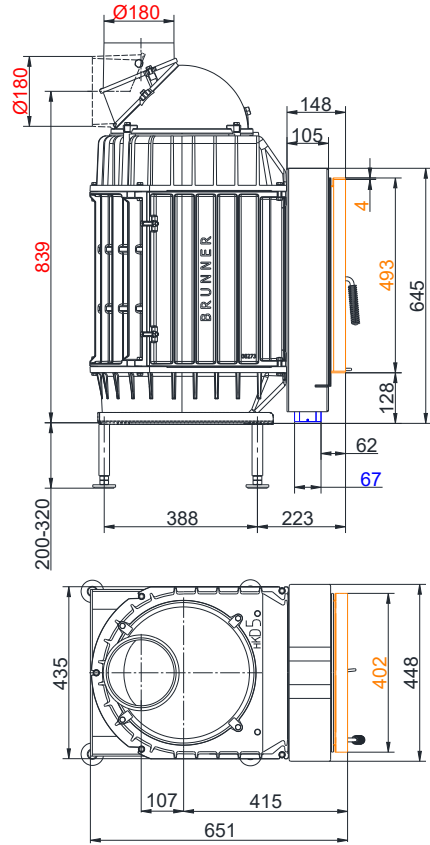


... with cast iron frame

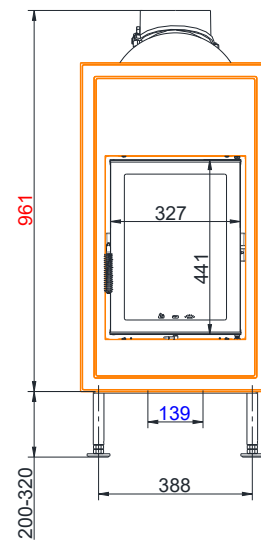
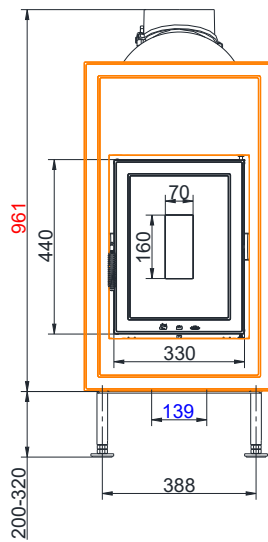
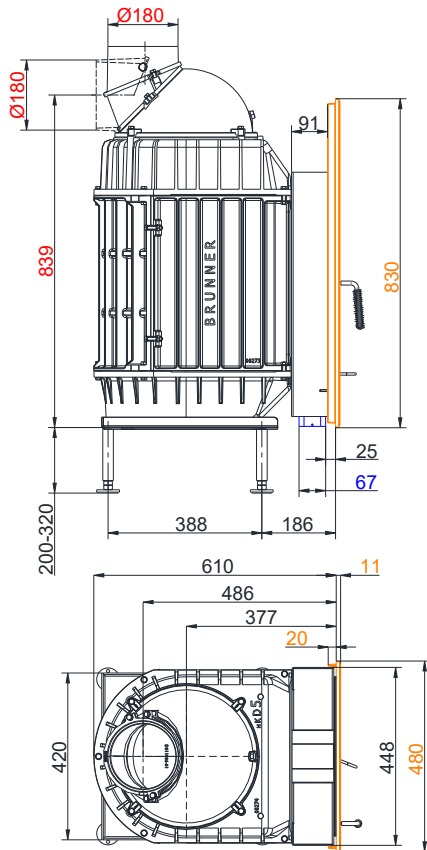


... with steel door frame

Dimension sheets - HKD 5.1

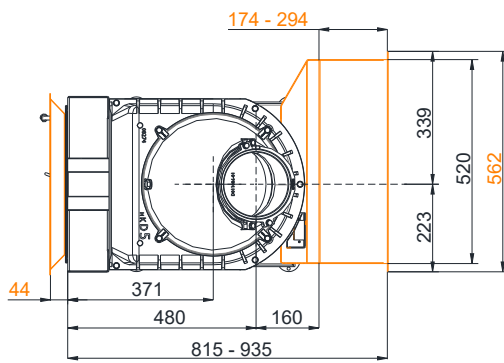
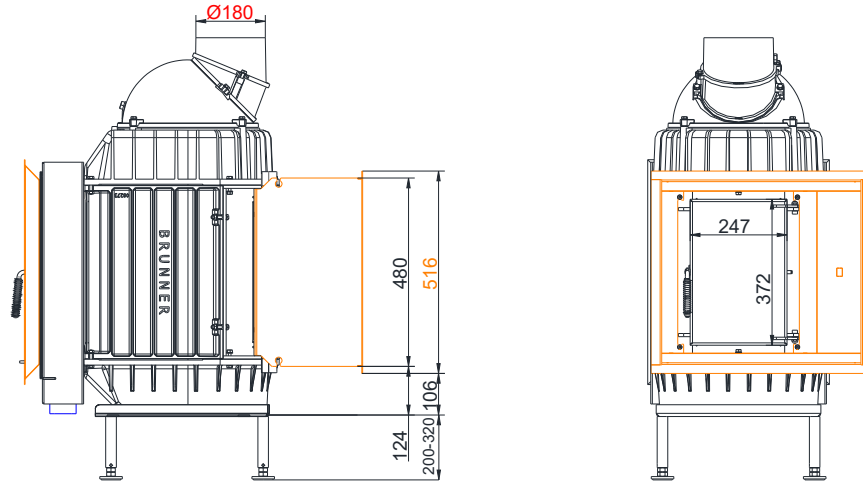


... with mounting frame

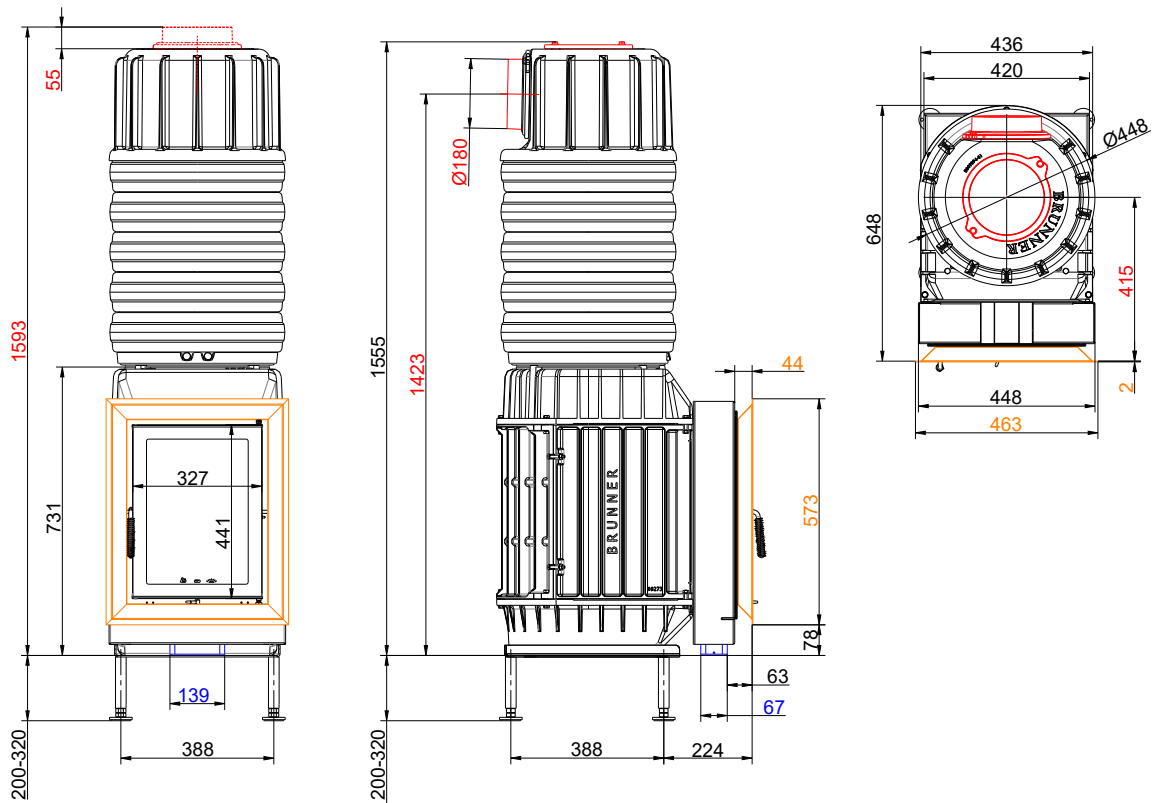


... with cast iron front plate

Dimension sheets - HKD 5.1

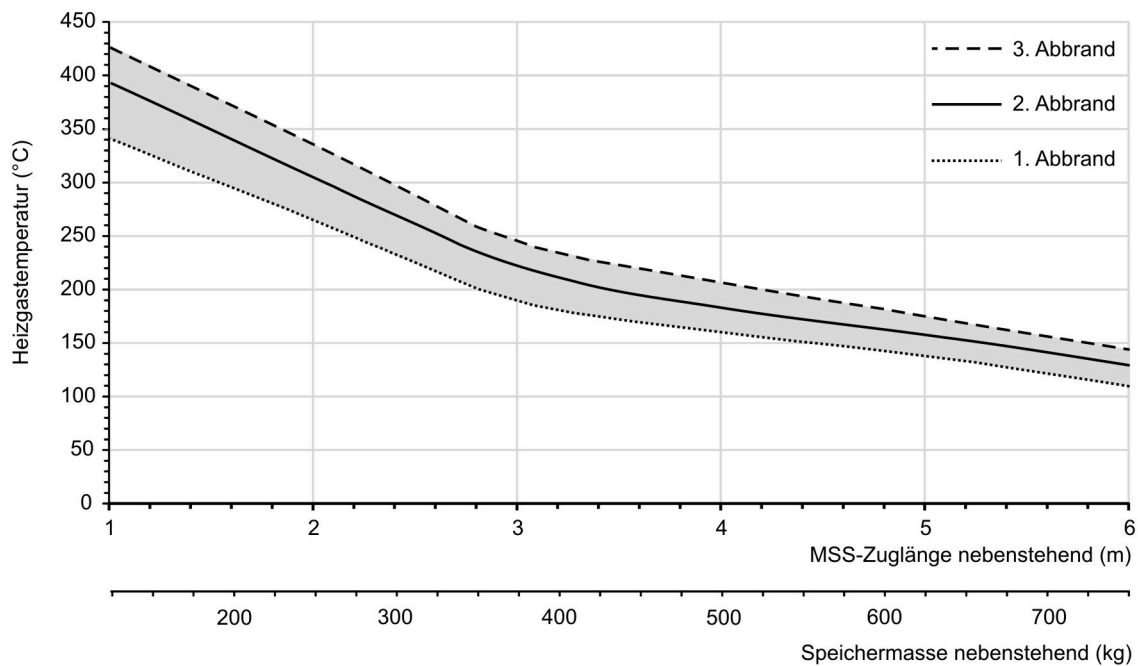


... with additional fire door



... with MAS

Dimension sheets - HKD 5.1



Design characteristics for adjacent storage mass

We suggest for CAD planning Palette CAD. Permanent updated drawings: www.brunner.de

Frames/ flue gas outlet connection/ combustion air supply connection/ front variants/ support bearing are marked in color.

Planning and installation - HKD 5.1

Tested according to		EN 13229 W	EN 13229 WA
Values measured at		Rated power ¹⁾	Storage operation ²⁾
Suitable for all construction types according to rules		OK	OK
Data for functional demonstration			
Rated heat power	kW	10	-
Fire wood volume	kg/h	2.7	6
Combustion performance	kW	12	20
Flue gas mass flow	g/s	12	17
Outlet temperature (before reheating surface)	°C	470	580
Flue gas temperature after:			
1 x adjoining cast iron radiator (GNF 8/10)	°C	160	220
5 x accumulation rings incl. MAS casted cover ³⁾	°C	210	-
4,5 m ceramic accumulator ⁴⁾	°C	-	180
3,1 m accumulation stones (MSS) ⁴⁾	°C	-	215
Necessary supply pressure	Pa	13	15
Combustion air consumption	m ³ /h	35	50
Combustion air connection Ø	mm	125	125
Heating gas temperature (before the hood/dome variant)			
insert flue outlet nozzle	°C	470	580
Heat distribution			
Insert / reheating surface	%	45 / 45	45 / 45
Glass pane (single / double)	%	- / 10	- / 10
Cross-section of gratings ⁵⁾			
Convection air	cm ²	600 / 250 / 550	600 / 250 / 550
Supply air	cm ²	600 / 250 / 550	600 / 250 / 550
Minimal distances of the fireplace			
to cladding, insulation layer	cm	8	8
to mounting floor	cm	15	15
Thermal insulation without / with air gratings ⁶⁾			
Mounting wall	cm	18 / 14	18 / 14
Floor	cm	0	0
Ceiling	cm	22 / 17	22 / 17
Isolation around the additional door		6	6
Brick lining for combustible wall	cm	10	10
Weight			
Fireplace / combustion chamber	kg	118 / 80	
Meets requirement/limit values for:			
Germany/ Austria / Switzerland / Norway		1.BImSchV (Stufe 2) / 15a BVG (2015) / LRV / -	

- 1) Indications to "Rated power" determined with metallic reheating surface
- 2) Indications to "Storage operation" for the manual execution of the reheating surface (guide values).
- 3) Damper flap recommended
- 4) Approximate value. Determination according to design characteristics for adjacent storage mass or proof of function provided by calculation
- 5) for fireplace inserts / flue gas pipe / metallic reheating surface
- 6) Values determined with air cross-sections evaluated by testing; stove cladding is heat emitting.