

## FIREPLACE INSERTS FROM BRUNNER



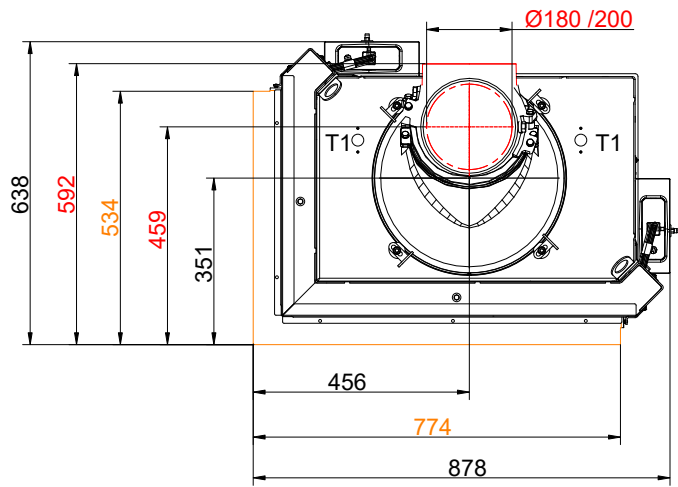
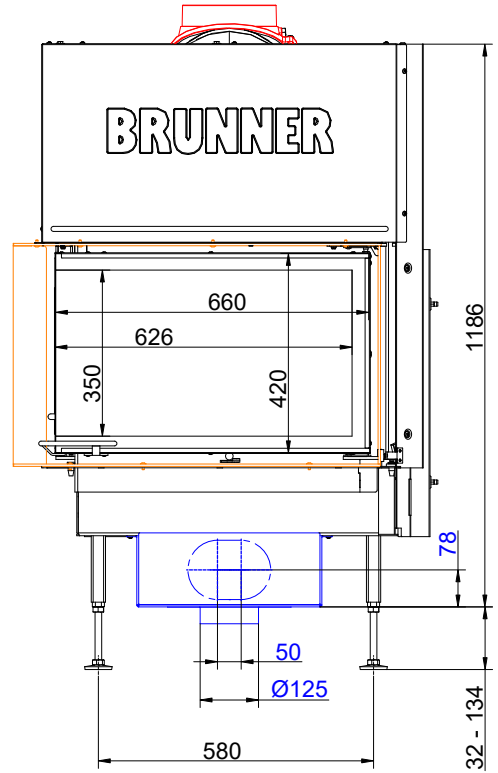
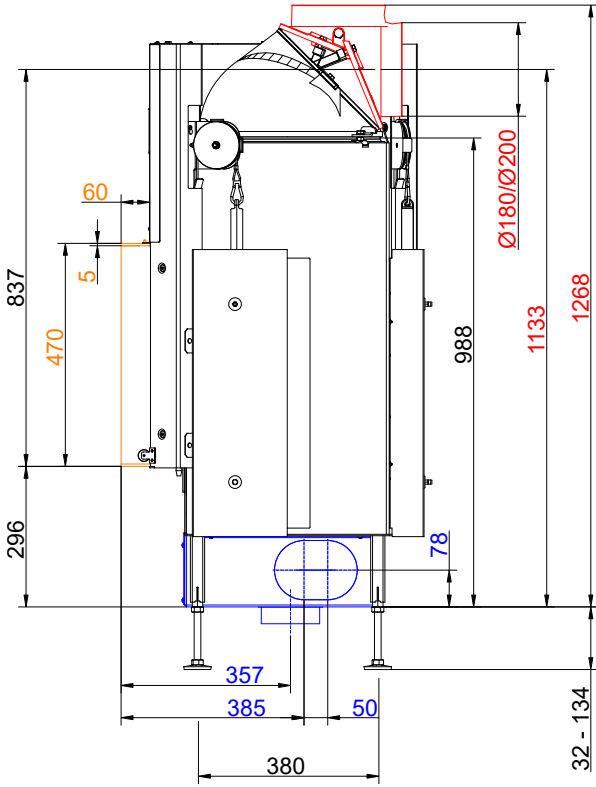
### BKH Eck 42-66-42 green lifting door

State: 2023-09-05



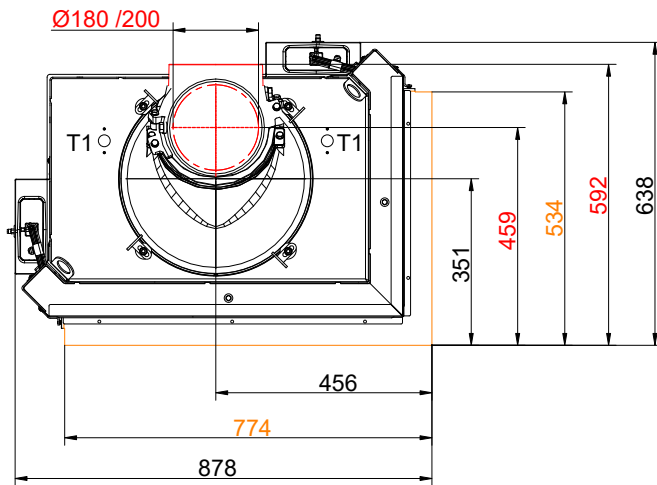
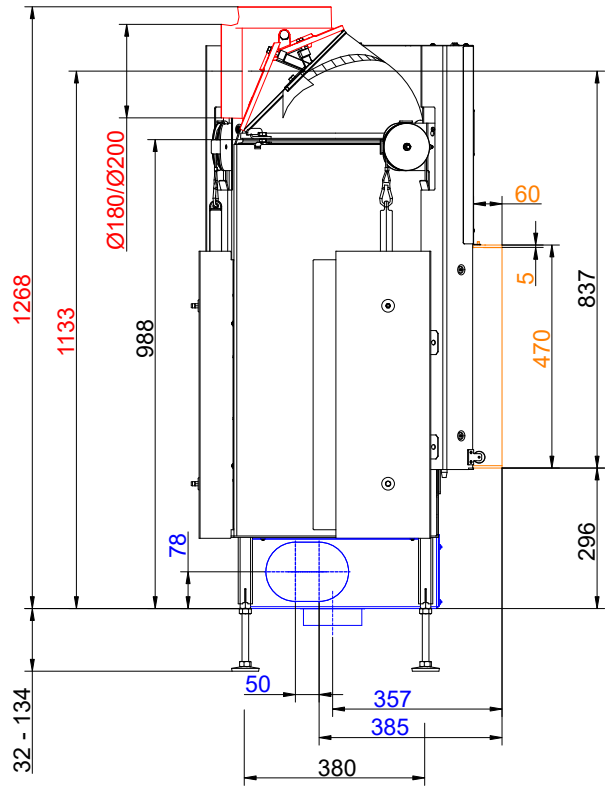
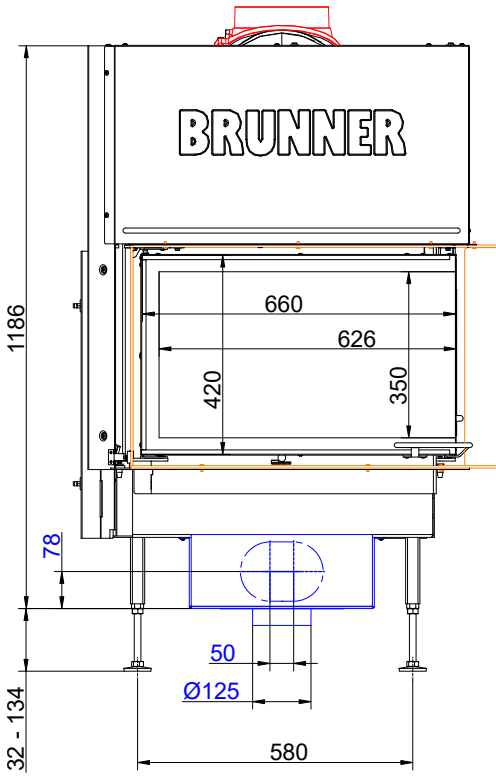
**BRUNNER**<sup>®</sup>  
*made in germany.*

Dimension sheets - BKH Eck 42-66-42 green lifting door



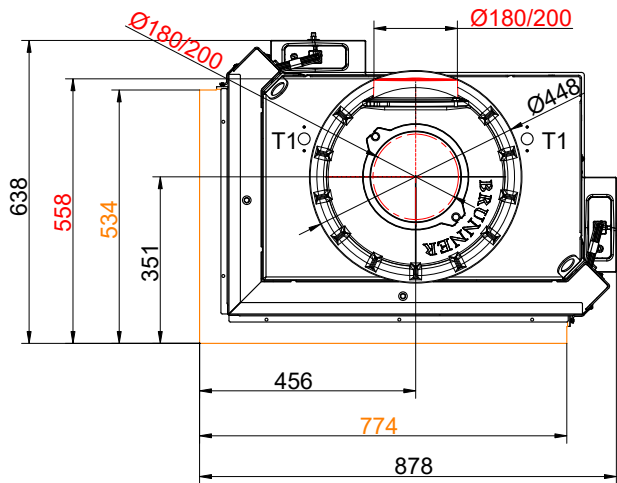
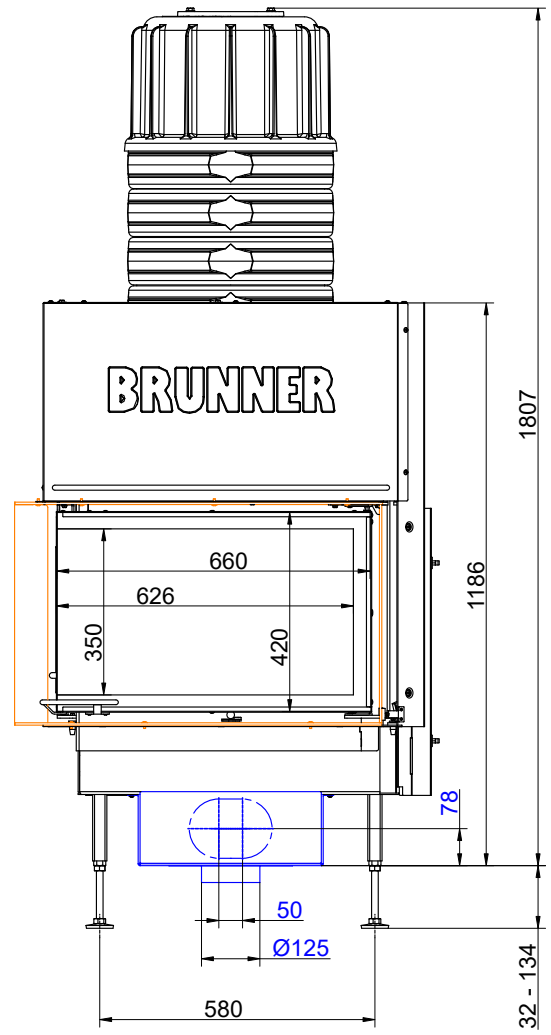
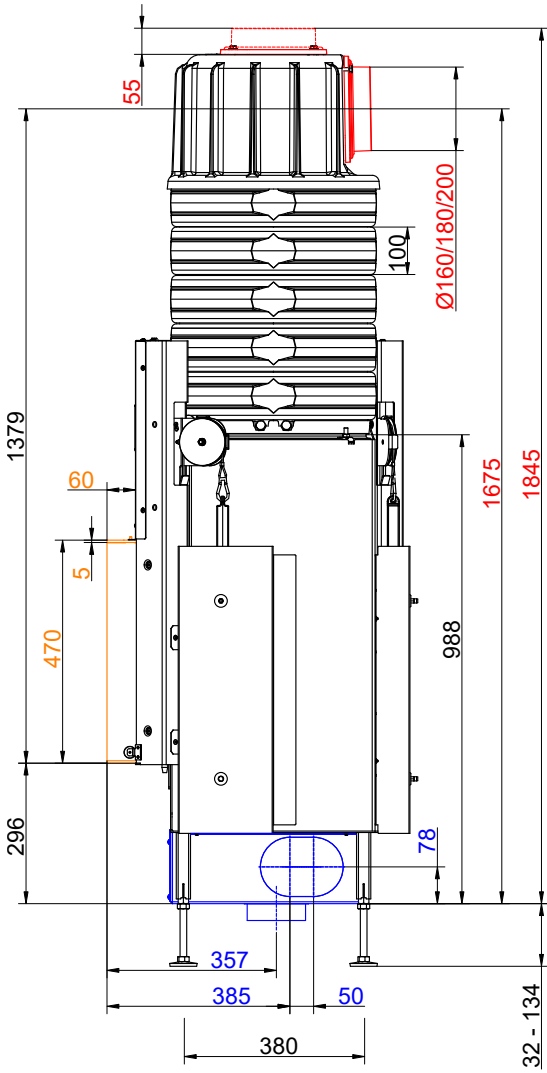
... left with mounting frame with cast iron dome

**Dimension sheets - BKH Eck 42-66-42 green lifting door**



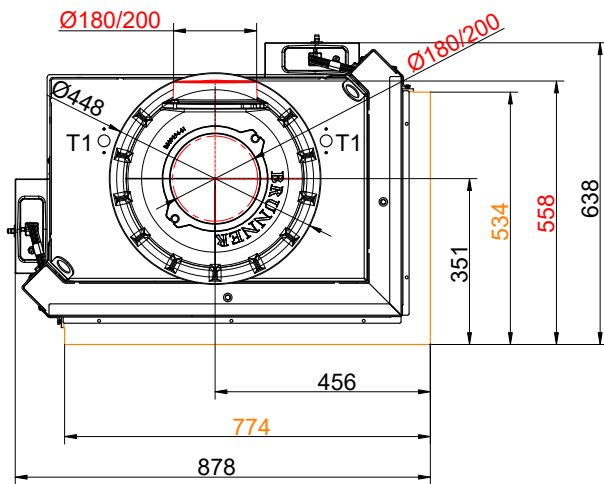
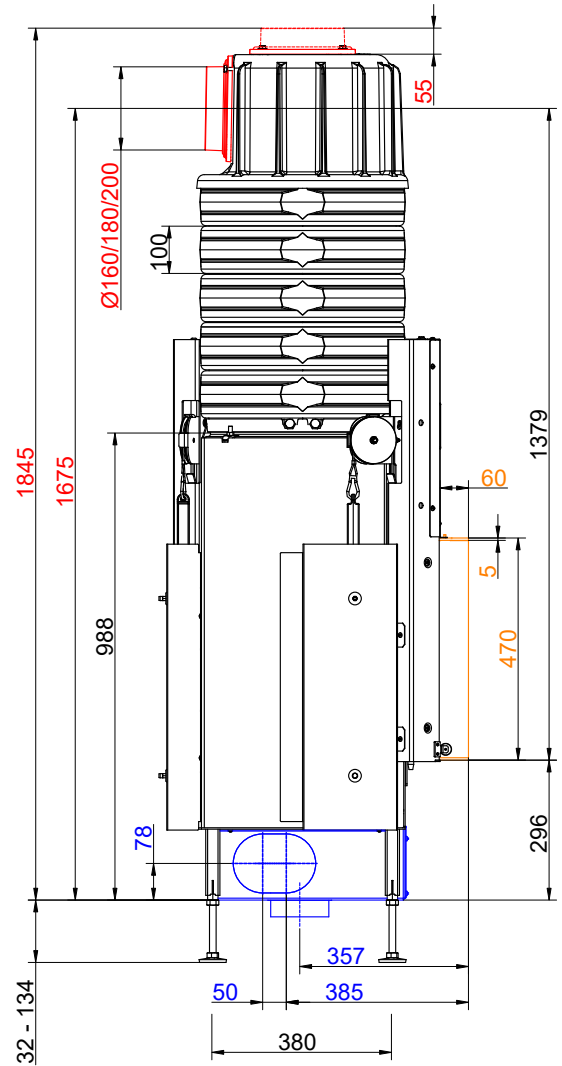
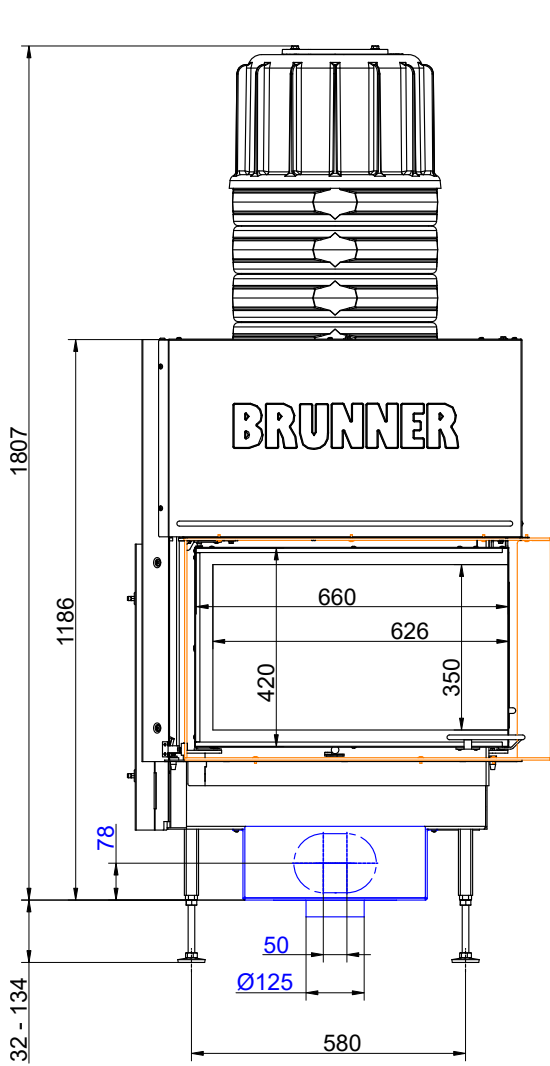
... right with mounting frame with cast iron dome

# Dimension sheets - BKH Eck 42-66-42 green lifting door



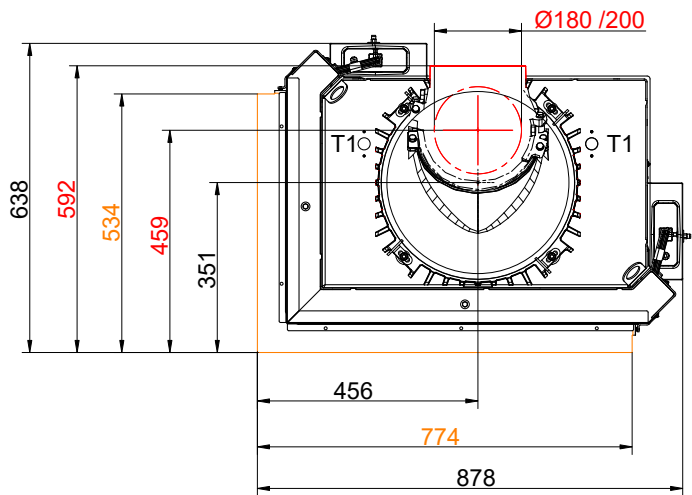
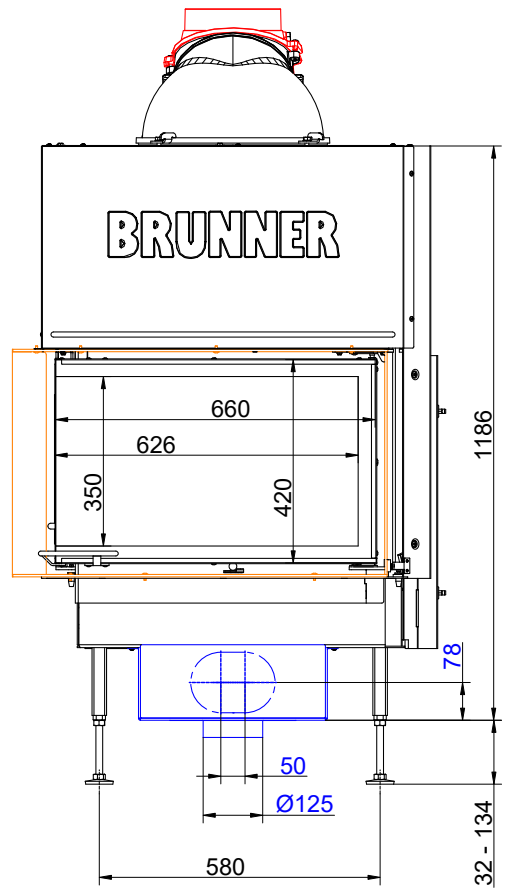
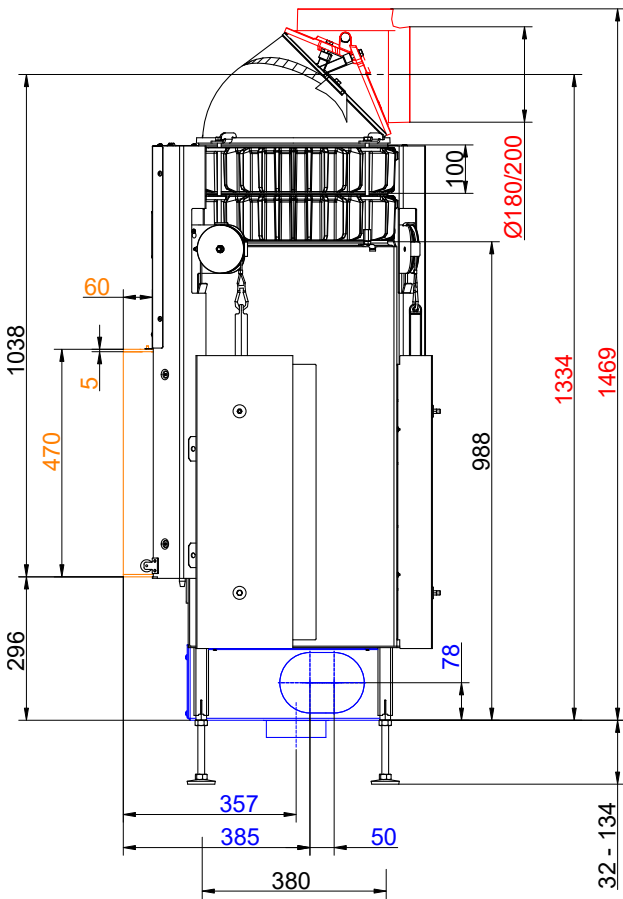
... left with mounting frame with MAS

# Dimension sheets - BKH Eck 42-66-42 green lifting door



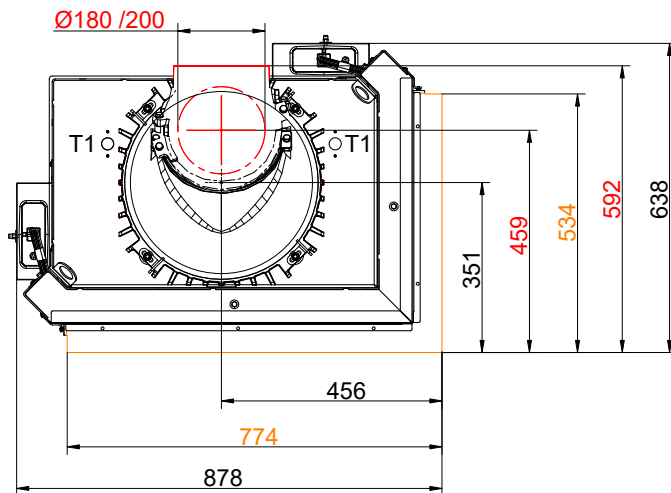
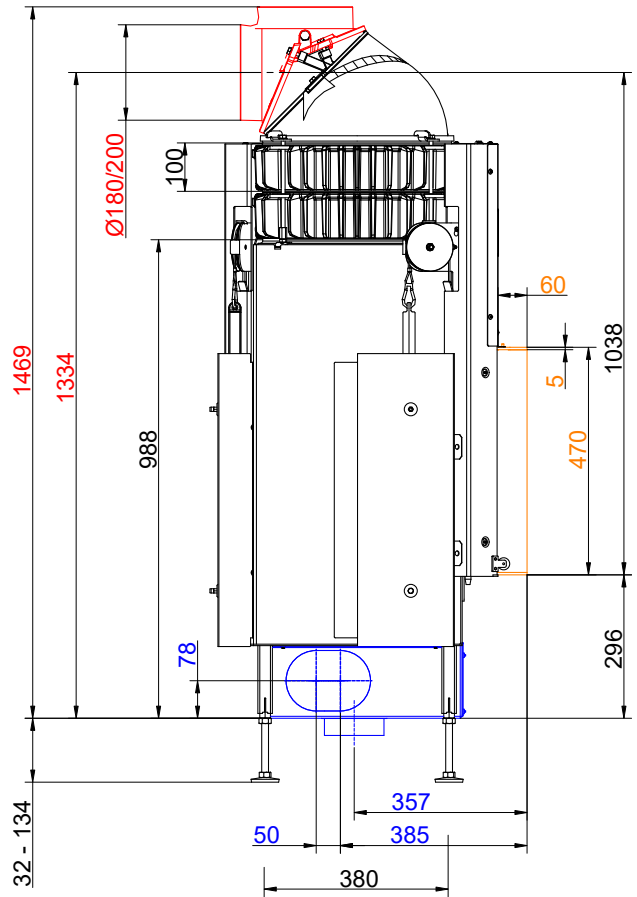
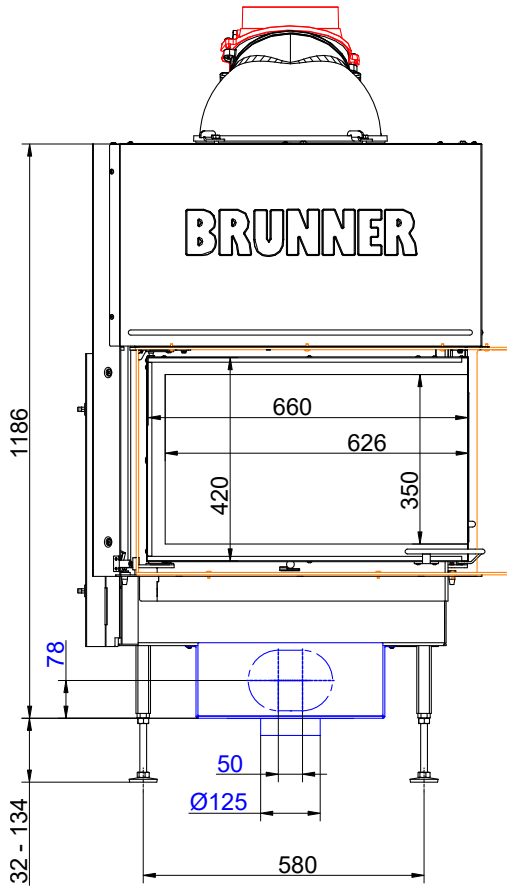
... right with mounting frame with MAS

**Dimension sheets - BKH Eck 42-66-42 green lifting door**



... left with mounting frame and cast iron heat exchanger rings + dome

**Dimension sheets - BKH Eck 42-66-42 green lifting door**



... right with mounting frame and cast iron heat exchanger rings + dome

We suggest for CAD planning Palette CAD. Permanent updated drawings: [www.brunner.de](http://www.brunner.de)

Frames/ flue gas outlet connection/ combustion air supply connection/ front variants/ support bearing are marked in color.

# Planning and installation - BKH Eck 42-66-42 green lifting door

Tested according to		EN 13229 W	EN 13229 WA
Values measured at		Rated power <sup>1)</sup>	Storage operation <sup>2)</sup>
<b>Data for functional demonstration</b>			
Rated heat power	kW	9	-
Fire wood volume	kg/h	2.6	4
Combustion performance	kW	11	16
Flue gas mass flow	g/s	10	16
Flue gas temperature after:			
Cast iron dome	°C	220	350
2 x cast iron heat exchanger rings + dome	°C	200	290
5 x accumulation rings incl. MAS casted cover <sup>3)</sup>	°C	-	260
2,0 m ceramic accumulator <sup>4)</sup>	°C	-	180
1,4 m accumulation stones (MSS) <sup>4)</sup>	°C	-	180
Necessary supply pressure	Pa	12	12
Fuel amount	kg	2.5	5
Combustion air consumption	m <sup>3</sup> /h	22	43
Combustion air connection Ø	mm	125	125
<b>Heat distribution</b>			
Insert / reheating surface	%	25 / 30	25 / 30
glass ceramic / glass ceramic coated (GKB)	%	45 / 35	45 / 35
<b>Cross-section of gratings <sup>5)</sup></b>			
Convection air	cm <sup>2</sup>	600	600
Supply air	cm <sup>2</sup>	600	600
<b>Minimal oven surface for closed construction type</b>			
Heat dissipating surface	m <sup>2</sup>	4	4
<b>Minimal distances of the fireplace</b>			
Heat protection panel for cladding, insulation layer	cm	3	3
to cladding, insulation layer	cm	5	5
to the floor	cm	3	3
<b>Minimum insulation thicknesses / pre-wall + insulation material <sup>6)</sup></b>			
with heat protection panel for mounting wall (combustible) <sup>7)</sup>	cm	12 / 10 + 13	12 / 10 + 13
to mounting wall (combustible)	cm	18 / 10 + 20	18 / 10 + 20
to the floor	cm	0 / 0	0 / 0
to the ceiling (combustible)	cm	22 / 10 + 25	22 / 10 + 25
<b>Minimum distances in front of the combustion chamber, glass ceramic / glass ceramic coated (GKB)</b>			
for combustible parts	cm	≥ 120 / ≥ 80	≥ 120 / ≥ 80
<b>Weight</b>			
Fireplace insert + combustion chamber inner lining chamotte/cast iron	kg	180,5 + 62,5 / 72,5	
<b>Meets requirement/limit values for:</b>			
EU / Germany	Ecodesign / 1. BImSchV (Stufe 2)		

- 1) Indications to "Rated power" determined with 2 heat exchanger rings made of cast iron and Ø180 dome.
- 2) Indications to "Storage operation" for the manual execution of the reheating surface (guide values).
- 3) Damper flap recommended
- 4) Standard value or calculated functional proof required.
- 5) Air cross-sections if the specified nominal heat output is desired as the heat output.
- 6) Values determined with air cross-sections evaluated by testing; stove cladding is heat emitting. Insulation material data with calcium silicate (Promasil 950KS)/10 cm wall lining + reference insulation material (mineral wool according to AGI Q 132).
- 7) For assembly and design of the heat protection panel (accessories), see assembly instructions. Distance between mounted heat protection panel and fireplace insert: rear wall 2 cm, side wall 3 cm.