

## FIREPLACE INSERTS FROM BRUNNER



### Eck-Kamin 42/42/42

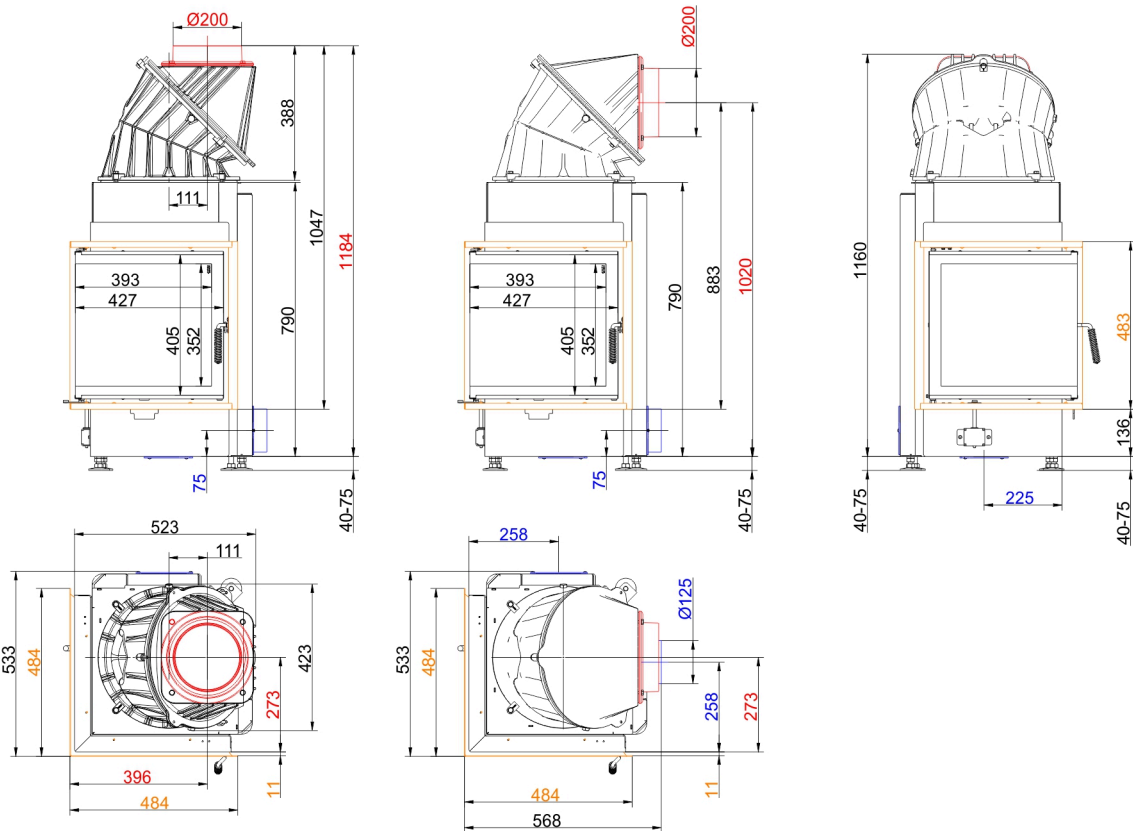
side-opening door

State: 2023-08-21

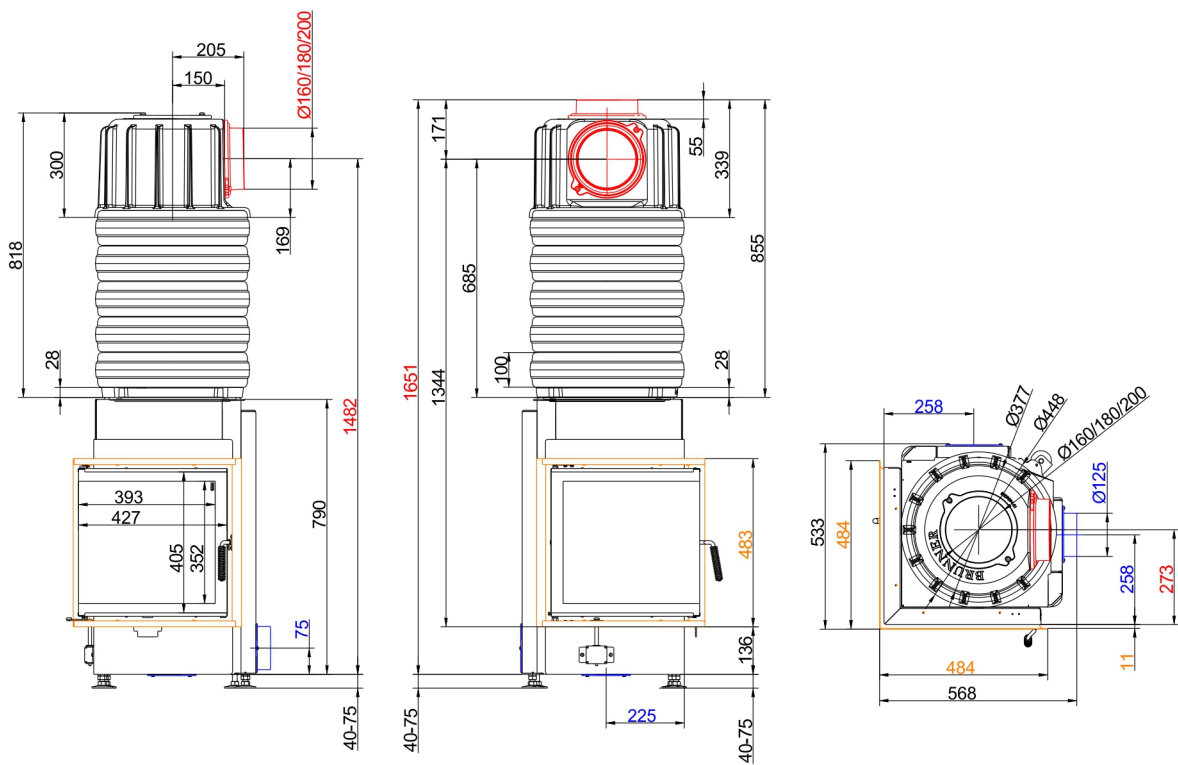


**BRUNNER**<sup>®</sup>  
*made in germany.*

# Dimension sheets - Eck-Kamin 42/42/42 side-opening door



... with door frame and cast iron hot air hood



... with door frame and MAS

We suggest for CAD planning Palette CAD. Permanent updated drawings: [www.brunner.de](http://www.brunner.de)  
 Frames/ flue gas outlet connection/ combustion air supply connection/ front variants/ support bearing are marked in color.

## Planning and installation - Eck-Kamin 42/42/42 side-opening door

Tested according to		EN 13229 W	EN 13229 WA
Values measured at		Rated power <sup>1)</sup>	Storage operation <sup>2)</sup>
Suitable for all construction types according to rules		OK	OK
<b>Data for functional demonstration</b>			
Rated heat power	kW	8	-
Fire wood volume	kg/h	2.7	5
Combustion performance	kW	10	22
Flue gas mass flow	g/s	7.1	21
Outlet temperature (before reheating surface)	°C	-	340
Flue gas temperature after:			
metallic hot air hood	°C	210	246
5 x accumulation rings incl. MAS casted cover <sup>3)</sup>	°C	-	210
1,7 m ceramic accumulator	°C	-	180
1,2 m accumulation stones (MSS) <sup>4)</sup>	°C	-	180
Necessary supply pressure	Pa	12	15
Combustion air consumption	m <sup>3</sup> /h	28	50
Efficiency	%	80	80
Combustion air connection Ø	mm	125	125
<b>Heizgastemperatur (vor der Haubenvariante)</b>			
cast iron dome	°C	-	340
<b>Heat distribution</b>			
Insert / reheating surface	%	25 / 30	25 / 30
Glass pane (single / double)	%	45 / -	45 / -
<b>Cross-section of gratings <sup>5)</sup></b>			
Convection air	cm <sup>2</sup>	800 / 100 / -	500 / 100 / 300
Supply air	cm <sup>2</sup>	800 / 100 / -	500 / 100 / 300
<b>Minimal oven surface for closed construction type</b>			
Heat dissipating surface	m <sup>2</sup>	4	4
<b>Minimal distances of the fireplace</b>			
to cladding, insulation layer	cm	6	6
to mounting floor	cm	4	4
<b>Thermal insulation without / with air gratings <sup>6)</sup></b>			
Mounting wall	cm	14 / 12	14 / 12
Floor	cm	2 / 2	2 / 2
Ceiling	cm	16 / 14	16 / 14
Brick lining for combustible wall	cm	10	10
<b>Weight</b>			
Fireplace / combustion chamber	kg	104 / 37 / -	
<b>Meets requirement/limit values for:</b>			
Germany/ Austria / Switzerland / Norway		1.BImSchV (Stufe 2) / 15a BVG (2015) / LRV / NS 3059	

- 1) Indications to "Rated power" determined with metallic reheating surface
- 2) Indications to "Storage operation" for the manual execution of the reheating surface (guide values).
- 3) Damper flap recommended
- 4) Standard value or calculated functional proof required.
- 5) for fireplace inserts / flue gas pipe / metallic reheating surface
- 6) Values determined with upper air cross-sections; stove cladding is heat emitting.