

# Installation Guide

Corner fireplace  
42-57-30 ST/DT

©2020

**BRUNNER**<sup>®</sup>  
*made in germany.*

# CONTENTS

|          |  |           |
|----------|--|-----------|
| <b>1</b> | <b>Basic informations.....</b>                                 | <b>3</b>  |
| <b>2</b> | <b>Safety precautions.....</b>                                 | <b>4</b>  |
| <b>3</b> | <b>Product description.....</b>                                | <b>4</b>  |
| <b>4</b> | <b>Delivery contents.....</b>                                  | <b>5</b>  |
| <b>5</b> | <b>Description of parts.....</b>                               | <b>6</b>  |
| 5.1      | Corner fireplace 42-57-30 DTR Body.....                        | 6         |
| 5.2      | Corner fireplace 42-57-30 DTL Body.....                        | 9         |
| 5.3      | Body of corner fireplace 42-57-30 lifting door right.....      | 11        |
| 5.4      | Body of corner fireplace 42-57-30 lifting door left.....       | 13        |
| 5.5      | Inner linings corner fireplace 42-57-30 left side.....         | 15        |
| 5.6      | Inner linings corner fireplace 42-57-30 right side.....        | 15        |
| 5.7      | Mounting frame corner fireplace 42-57-30 lifting door.....     | 16        |
| 5.8      | Door frame corner fireplace 42-57-30 side-opening door.....    | 17        |
| <b>6</b> | <b>Assembly drawings - side-opening door.....</b>              | <b>18</b> |
| 6.1      | Levelling.....   | 18        |
| 6.2      | Connecting of air and/or exhaust line.....                     | 18        |
| 6.3      | Inner linings assembly 42-57-30 right side opening.....        | 21        |
| 6.4      | Frame mounting.....  | 26        |
| <b>7</b> | <b>Assembly of corner fireplace 42-57-30 lifting door.....</b> | <b>36</b> |
| 7.1      | Levelling of corner fireplace 42-57-30 lifting door.....       | 36        |
| 7.2      | Connecting of air and/or exhaust line.....                     | 36        |
| 7.3      | Assembly of inner linings 42-57-30 lifting door.....           | 45        |
| 7.4      | Adjusting of self-closing door.....                            | 49        |
| <b>8</b> | <b>Drawings and technical data.....</b>                        |           |

Please also take note of the online product documentation provided by:

[General instructions of the Brunner products installation for the stove construction.](https://www.brunner.de/Allgemein/Allgemeine_Hinweise_für_den_Aufbau_en.pdf)

([https://www.brunner.de/Allgemein/Allgemeine\\_Hinweise\\_für\\_den\\_Aufbau\\_en.pdf](https://www.brunner.de/Allgemein/Allgemeine_Hinweise_für_den_Aufbau_en.pdf))



# 1 BASIC INFORMATIONS



All instructions delivered with products must be observed. We do not accept any warranty claim or liability for damage resulting from failure to observe these installation instructions!  
Improper installation can cause injury and material damage!

Fireplaces equipped with a water boiler must be pressure-tested after hydraulic connection to the heating system. Masonry work may follow only after this pressure test. Ulrich Brunner GmbH does not cover any costs incurred by necessary dismantling of masonry for rework at water boiler installation or replacement of the boiler.

The floor space of the room must have a suitable structure and sufficient dimensions to ensure proper functioning of the fireplace.

Please note that other installation and assembly instructions are included in other packaging units!

Dimensioning of downstream heat accumulator must be according to valid stove-setting rules.

During installation of the fireplace, all dimensions and minimal clearances of the fireplace casing must be held as specified by the manufacturer.

All binding national or EU standards and local regulations for the installation of fireplaces must be observed.

All valid stove fitting rules and regulations of local construction law must be observed and followed.

Please follow the relevant regulations of your country.

When these instructions are followed and all works are done properly, this will ensure a safe, energy-saving and environmentally friendly operation of the stove. Pictures shown are not to be considered as complete representations of any kind.

Subject to technical and assortment changes.

Please notify your supplier of any damage which might have occurred during transport.

Please keep these instructions.

---

## 2 SAFETY PRECAUTIONS

Fireplaces may be set up only in rooms or areas with no risk of danger due to their location, structure or intended use.

Working on the stove                      Installation, commissioning, servicing and maintenance works on the product may be carried out only by an authorized stove-fitter. Safety and efficiency of the system depend on this!

Working with electronics                Switch off the emergency switch or circuit breaker, and secure them against switching on again.



Fireplaces with external air supply are not independent from room air supply and must be considered and designed as roomsealed fireplaces. In connection with a ventilation or extraction system, we recommend the use of a negative pressure safety device (Art.No.: 11600.1).

Installation must be carried out by an authorized stove-fitter, because safety and efficiency of the system depend mostly on proper installation of the product. All valid stove fitting rules and regulations of building law must be observed and followed. Make sure to instruct the owner or user about the functions and controls of the system and possibly installed safety devices.

Fireplaces must be built to ensure safe operation and fire safety in order to eliminate possible risks and unacceptable loads. They have to be ready for use over an adequate period of time.

Make sure to instruct the owner or user about the functions and controls of the system and possibly installed safety devices.

Remember to use only genuine replacement parts.

Stoves with water boilers are ready for use only with a fully functional boiler section.

## 3 PRODUCT DESCRIPTION

Fireplaces manufactured by Ulrich Brunner GmbH are designed and approved as self-closing devices according to EN 13229. Fireplaces with lifting doors can be retrofitted for open door use with available counterweights. Please note, that fireplaces intended for open door use may be connected to a separate chimney only.

Combustion air is supplied through a provided connecting piece. The volume of air supplied for combustion can be controlled by using a combustion air regulator. Eck-Kamins are designed for closed installation without any vents (hypocaust principle). Design of a hypocaust must ensure uninterrupted transfer and even distribution of heat inside the casing, preventing all parts of the heating chamber from overheating. Dimensioning of heat projecting walls of the casing must be adjusted to performance data of the heating device. Thickness of insulation for building walls surrounding the fireplace stated in technical data has been determined during continuous operation with open air vents (safety test according to EN 13229 - heat transfer coefficient of the tested wall at 0,7 W/m<sup>2</sup>K), and must be amended accordingly for different conditions (for example, by providing air ventilation for walls).

When installing electric or electronic parts (controllers, sensors, cables...) or water-conducting parts, please consider the max. permitted surrounding temperatures for these components.

When setting up a closed system using a fireplace with lifting door, please keep in mind that the surrounding temperature for pulleys of the door lifting mechanism must not exceed 150°C.

| Hood           | Door             | Heating surface     | Designation | Operation mode           | Chimney             | Start-up flap | Damper flap |
|----------------|------------------|---------------------|-------------|--------------------------|---------------------|---------------|-------------|
| steel hood     | self-closing     | -                   | EN 13229 W  | nominal load             | multiple connection | -             | yes         |
| steel hood     | non self-closing | -                   | EN 13229 W  | open door / nominal load | separate connection | -             | yes         |
| cast iron dome | self-closing     | metal               | EN 13229 WA | accumulation             | multiple connection | yes           | -           |
| cast iron dome | self-closing     | ceramic             | EN 13229 WA | accumulation             | multiple connection | yes           | -           |
| -              | self-closing     | modular accumulator | EN 13229 WA | accumulation             | multiple connection | -             | yes         |

## 4 DELIVERY CONTENTS

The fireplace is delivered on a disposable pallet. The fireclay combustion chamber linings are delivered in a cardboard box on a separate pallet. Parts of deflector plate (if fitted) are stowed inside the combustion chamber.

All necessary accessories used for opening and cleaning of the glass door are inside the unit.

Outside on the protective packaging, you can find a label with detailed description of fireplace type. Please check the contents of your delivery! Any damage occurred during transport or missing parts must be immediately indicated to the supplier!

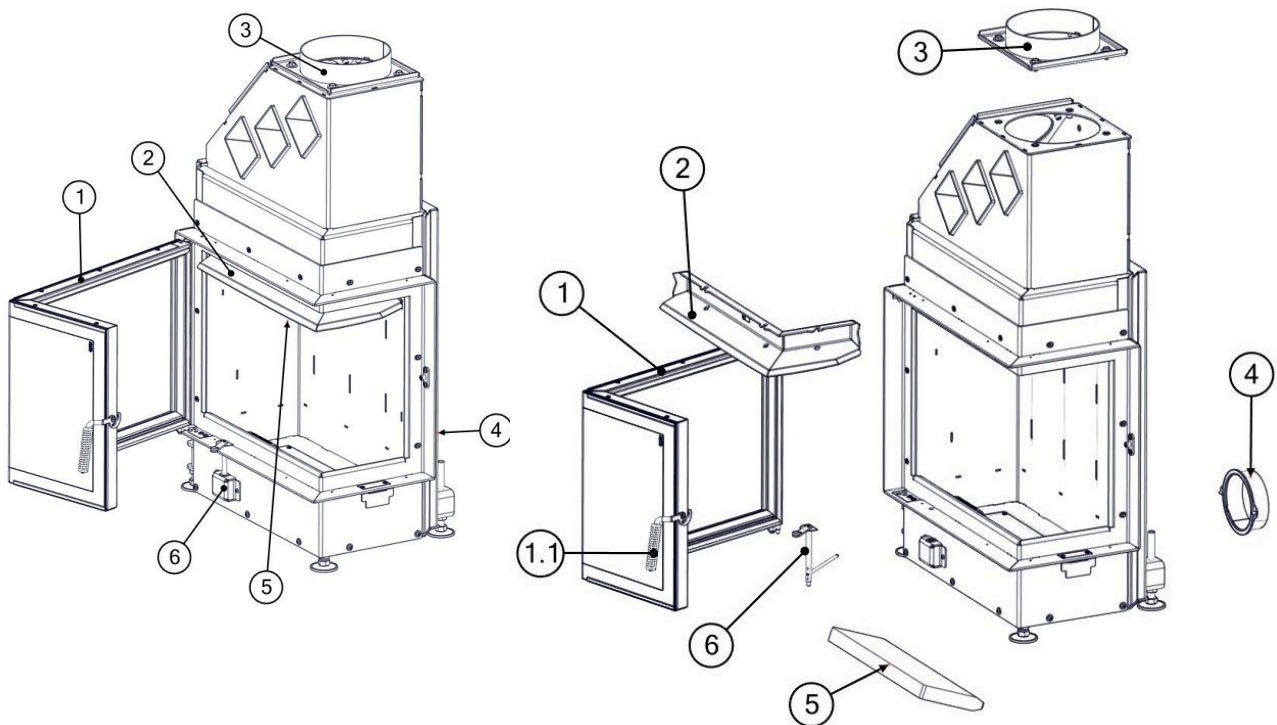
### Position of the identification plate

A factory identification plate is located on the fireplace, below the glass door, where it cannot be seen after installation. Additionally, a second identification plate with the same data is attached to your product documentation.

## 5 DESCRIPTION OF PARTS

### 5.1 CORNER FIREPLACE 42-57-30 DTR BODY

#### DTR Body

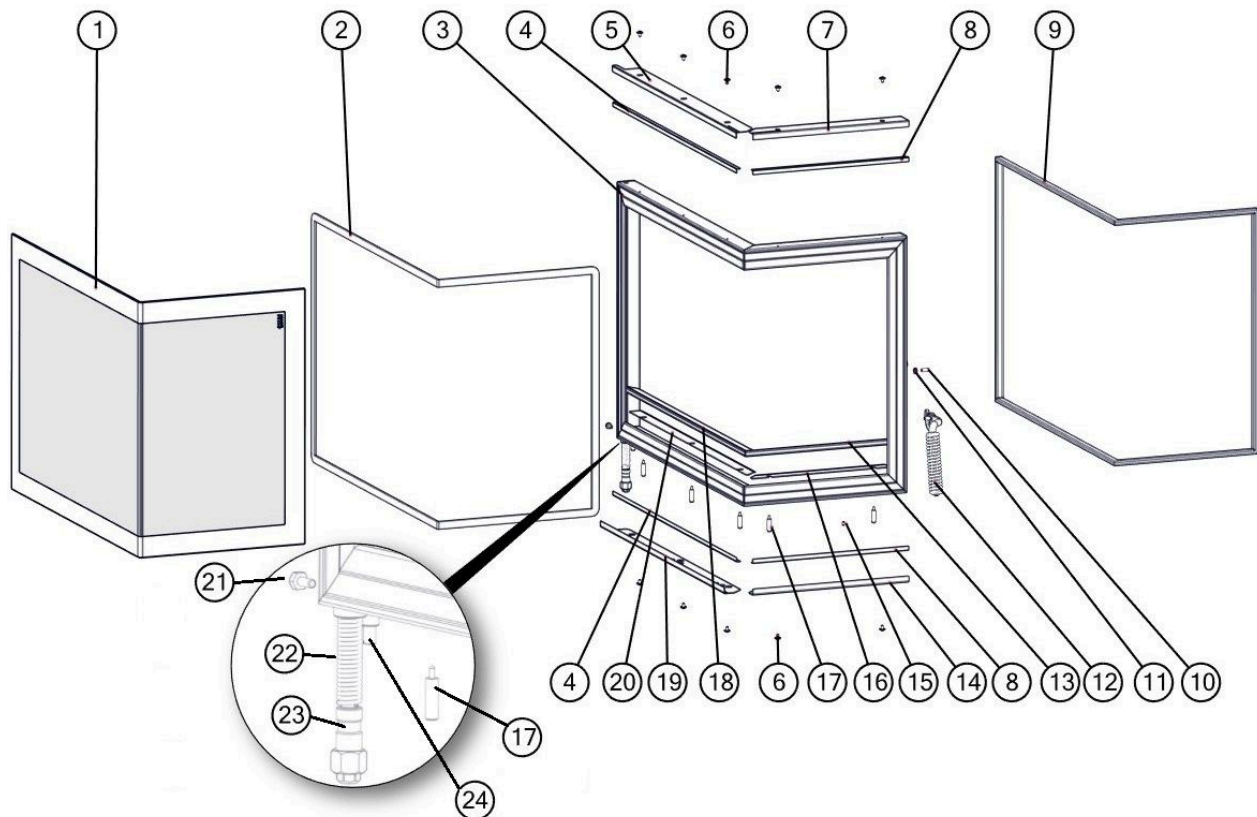


| Item | Designation                                    | PartNo. | No. of pcs. |
|------|--|---------|-------------|
| 1    | Corner door assembly - DTR                     | I068084 | 1           |
| 1.1  | Right door handle assembly DT S04              | I003350 | 1           |
| 2    | Air deflector - R                              | I068044 | 1           |
| 3    | Smoke gas outlet D200 comp. assembly           | I058039 | 1           |
|      | Optional: Smoke gas outlet D180 comp. assembly | I058043 |             |
|      | Optional: Smoke gas outlet D160 comp. assembly | I058046 |             |
| 4    | Air connection nozzle comp. assembly           | I003245 | 1           |

---

| <b>Item</b> | <b>Designation</b>    | <b>PartNo.</b> | <b>No. of pcs.</b> |
|-------------|-----------------------|----------------|--------------------|
| 5           | Deflector plate       | I068073        | 1                  |
| 6           | Air adjuster assembly | W039040        | 1                  |

**DTR Corner door(I068084)**

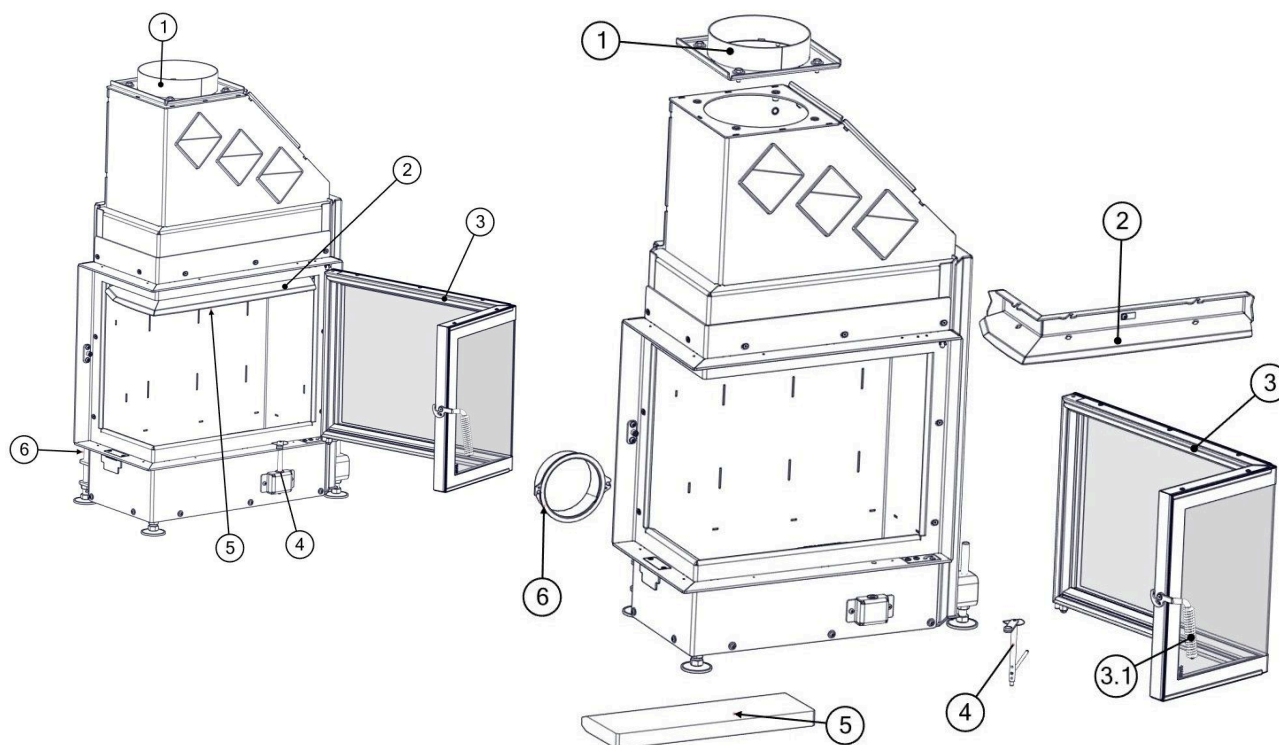


| Item | Designation                      | No. | Part No.   | Item | Designation                       | No. | Part No.   |
|------|----------------------------------|-----|------------|------|-----------------------------------|-----|------------|
| 1    | Glass pane                       | 1   | I068010-01 | 2    | Glass sealing                     | 1   | I068016    |
| 3    | DTR Door frame assembly          | 1   | I068085    | 4    | Long sealing holder               | 2   | I068020    |
| 5    | Long upper glass holder          | 1   | I068017-01 | 6    | Torx screw with lens flanged head | 10  | 02543      |
| 7    | Short upper glass holder         | 1   | I068021-01 | 8    | Short sealing holder              | 2   | I068028    |
| 9    | Sealing between door and front   | 1   | I068015    | 10   | Threaded pin                      | 1   | 800071     |
| 11   | Hexagon nut                      | 1   | 800002     | 12   | Right door handle assembly DT S04 | 1   | I003350    |
| 13   | Short lower clamping profile - R | 1   | I068024    | 14   | Short lower glass holder          | 1   | I068019-01 |
| 15   | Threaded pin                     | 2   | 800072     | 16   | Short sealing steel cover - R     | 1   | I068025    |
| 17   | Screw M3x6-26                    | 5   | 02446      | 18   | Long lower clamping profile - R   | 1   | I068022    |
| 19   | Long lower glass holder          | 1   | I068018-01 | 20   | Long sealing steel cover - R      | 1   | I068023    |
| 21   | Hexagon screw                    | 1   | 02531      | 22   | Self-closing spring               | 1   | I013955    |
| 23   | Torsion spring counterpart       | 1   | I003385    | 24   | Set screw                         | 1   | 800164     |



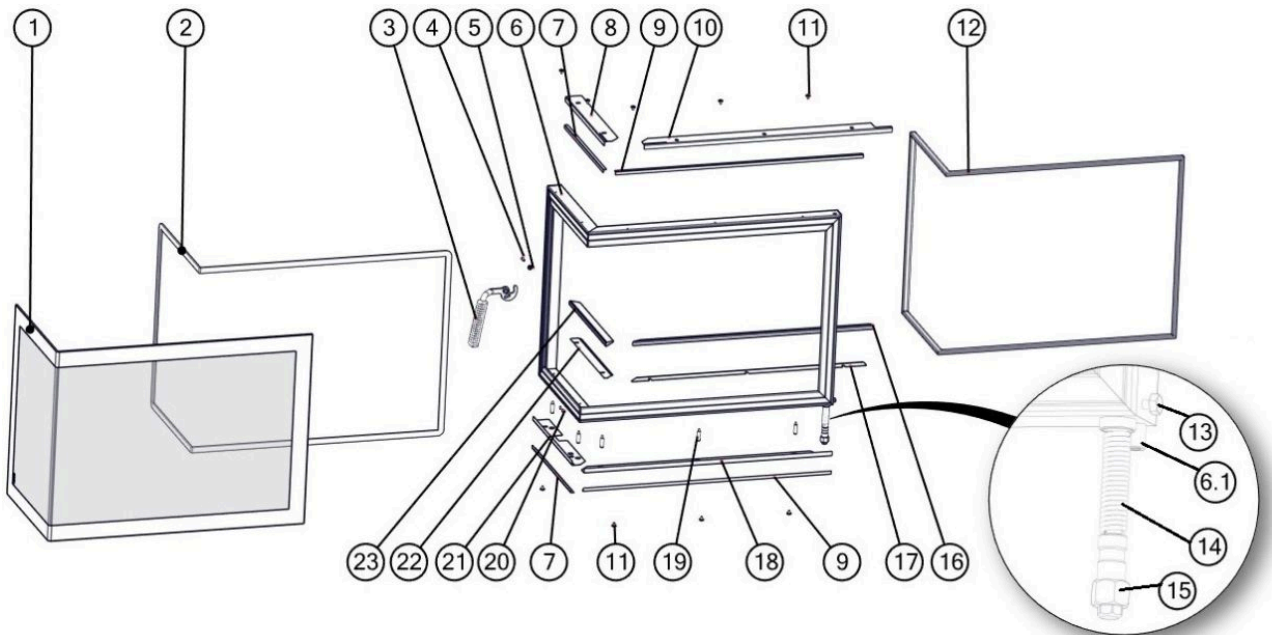
## 5.2 CORNER FIREPLACE 42-57-30 DTL BODY

Body with left side-opening door



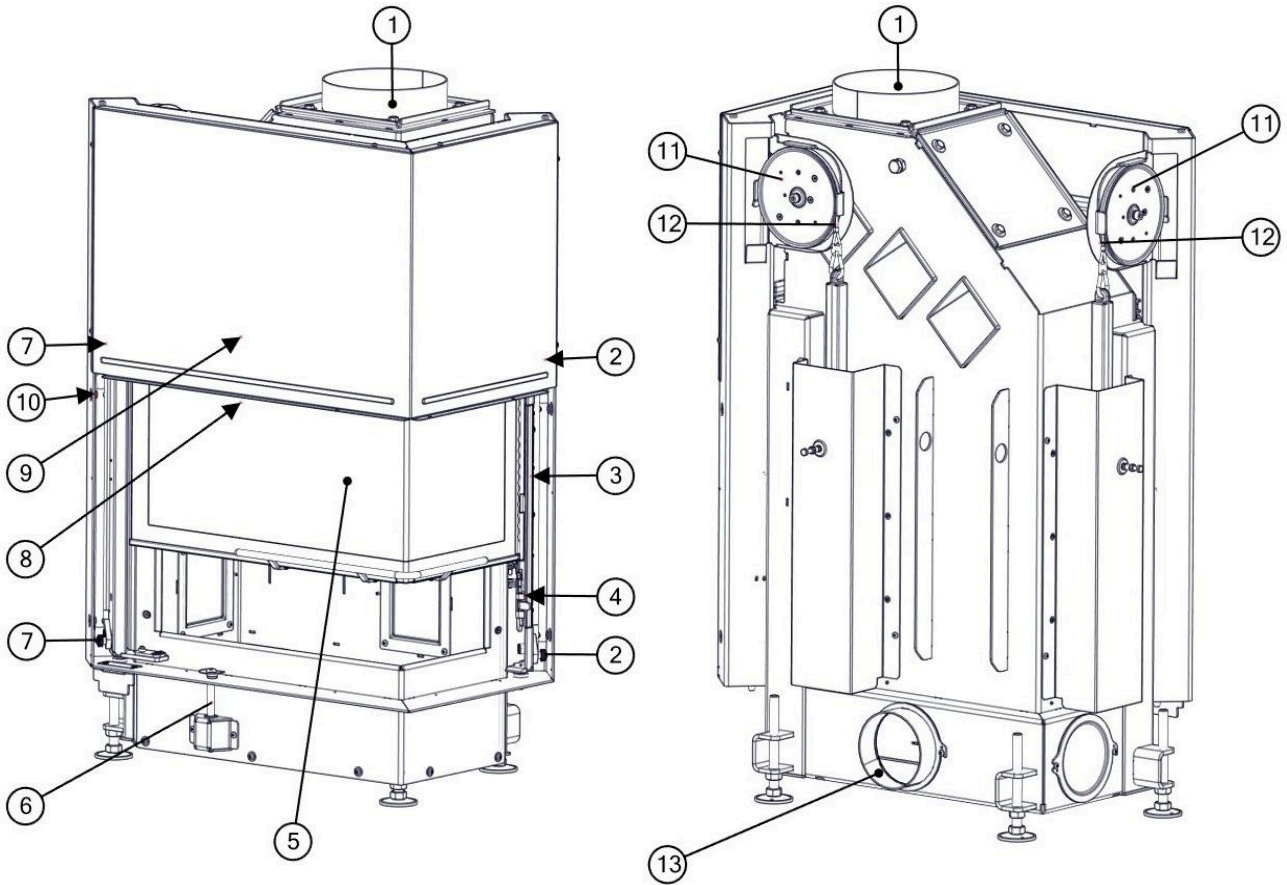
| Item | Designation                                    | Part No.   | No. of pcs. |
|------|--|------------|-------------|
| 1    | Smoke gas outlet D200 comp. assembly           | I058039    | 1           |
|      | Optional: Smoke gas outlet D180 comp. assembly | I058043    |             |
|      | Optional: Smoke gas outlet D160 comp. assembly | I058046    |             |
| 2    | Air deflector assembly - L                     | I068127    | 1           |
| 3    | Corner door assembly - DTL                     | I068166-01 | 1           |
| 3.1  | Left door handle assembly DT S04               | I003436    | 1           |
| 4    | Air adjuster                                   | W039040    | 1           |
| 5    | Deflector plate                                | I068073    | 1           |
| 6    | Complete air connection nozzle                 |            | 1           |

**Left corner door (I068166) - Details**



| Item | Designation                       | No. | Part No.   | Item | Designation                     | No. | Part No.   |
|------|-----------------------------------|-----|------------|------|---------------------------------|-----|------------|
| 1    | Glass pane                        | 1   | I068010-01 | 2    | Sealing between glass and door  | 1   | I068016    |
| 3    | Left door handle assembly DT S04  | 1   | I003436    | 4    | Threaded pin                    | 1   | 800071     |
| 5    | Hexagon nut                       | 1   | 800002     | 6    | DTL Door frame assembly         | 1   | I068167    |
| 7    | Short sealing holder              | 2   | I068028    | 8    | Short upper glass holder        | 1   | I068155-01 |
| 9    | Long sealing holder               | 2   | I068020    | 10   | Long upper glass holder         | 1   | I068154-01 |
| 11   | Torx screw with lens flanged head | 10  | 2543       | 12   | Sealing between door and front  | 1   | I068015    |
| 13   | Hexagon screw                     | 1   | 2531       | 14   | Self-closing spring             | 1   | I013955    |
| 15   | Torsion spring counterpart        | 1   | I003385    | 16   | Long lower clamping profile - L | 1   | I068150    |
| 17   | Long sealing steel cover - L      | 1   | I068152    | 18   | Long lower glass holder         | 1   | I068156-01 |
| 19   | Screw M3x6                        | 5   | 2446       | 20   | Threaded pin                    | 2   | 800072     |
| 21   | Short lower glass holder          | 1   | I068157-01 | 22   | Short sealing steel cover - L   | 1   | I068153    |
| 23   | Short lower clamping profile - L  | 1   | I068151    |      |                                 |     |            |

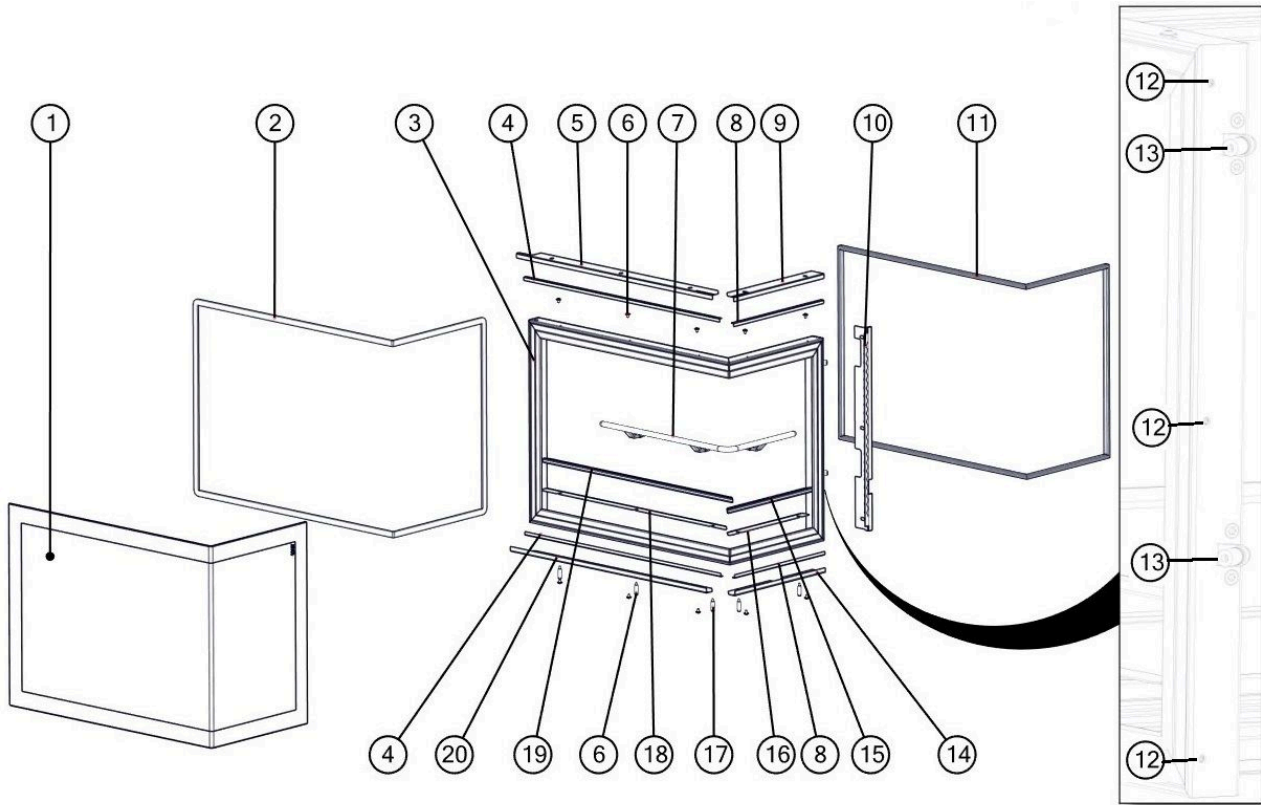
**5.3 BODY OF CORNER FIREPLACE 42-57-30 LIFTING DOOR RIGHT**



| Item | Designation                                    | PartNo.    | No. of pcs. |
|------|--|------------|-------------|
| 1    | Smoke gas outlet D200 comp. assembly           | I058039    | 1           |
|      | Optional: Smoke gas outlet D180 comp. assembly | I058043    |             |
|      | Optional: Smoke gas outlet D160 comp. assembly | I058046    |             |
| 2    | Guide rollers holder right side assembly       | I003247    | 2           |
| 3    | Guide rail right side complete assembly        | I068063    | 1           |
| 4    | Lock complete assembly                         | I051086    | 1           |
| 5    | Corner door assembly - STR                     | I068002-01 | 1           |
| 6    | Air adjuster assembly                          | W039040    | 1           |
| 7    | Guide rollers holder left side assembly        | I003212    | 2           |
| 8    | Air deflector assembly - R                     | I068044    | 1           |
| 9    | Deflector plate                                | I068073    | 1           |
| 10   | Guide rail left side complete assembly         | I068060    | 1           |
| 11   | Steel pulley assembly 150                      | I017104    | 2           |
| 12   | Eckkamin counterweight wire                    | 2000467    | 2           |

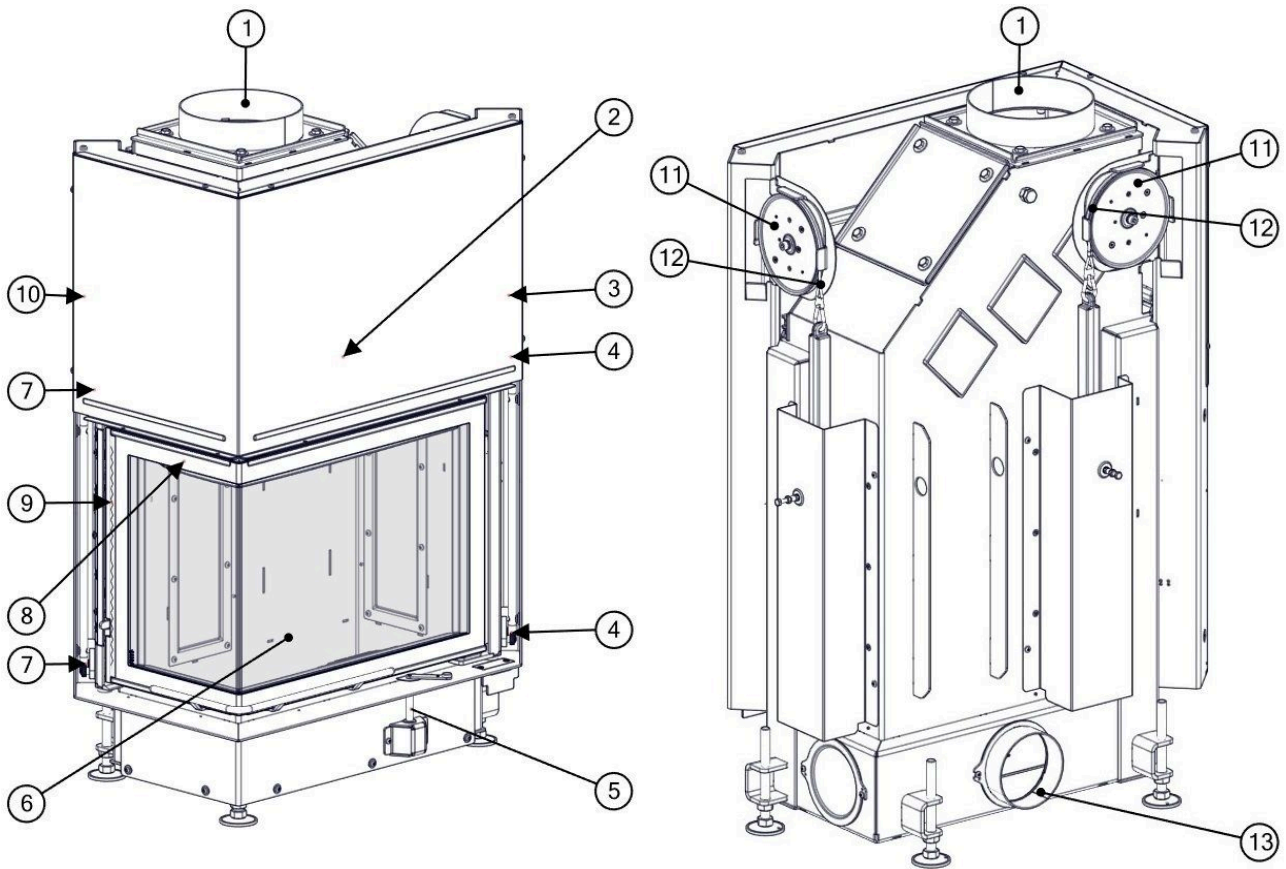
| Item | Designation                          | PartNo. | No. of pcs. |
|------|--------------------------------------|---------|-------------|
| 13   | Air connection nozzle comp. assembly | 2333    | 1           |

**Corner door assembly - STR (I068002-01)**



| Item | Designation                      | No. | Part No.   | Item | Designation                       | No. | Part No.   |
|------|----------------------------------|-----|------------|------|-----------------------------------|-----|------------|
| 1    | Glass pane                       | 1   | I068010-01 | 2    | Sealing between glass and door    | 1   | I068016    |
| 3    | STR Door frame assembly          | 1   | I068009    | 4    | Long sealing holder               | 2   | I068020    |
| 5    | Long upper glass holder          | 1   | I068017-01 | 6    | Torx screw with lens flanged head | 10  | 2543       |
| 7    | Door handle assembly - R         | 1   | I068026    | 8    | Short sealing holder              | 2   | I068028    |
| 9    | Short upper glass holder         | 1   | I068021-01 | 10   | Right side door aperture assembly | 1   | I051230-01 |
| 11   | Sealing between door and front   | 1   | I068015    | 12   | Torx screw with lens flanged head | 3   | 2582       |
| 13   | Locking pin assembly             | 2   | I013323    | 14   | Short lower glass holder          | 1   | I068019-01 |
| 15   | Short lower clamping profile - R | 1   | I068024    | 16   | Short sealing steel cover - R     | 1   | I068025    |
| 17   | Screw M3x6 - 26                  | 5   | 2446       | 18   | Long sealing steel cover - R      | 1   | I068023    |
| 19   | Long lower clamping profile - R  | 1   | I068022    | 20   | Long lower glass holder           | 1   | I068018-01 |

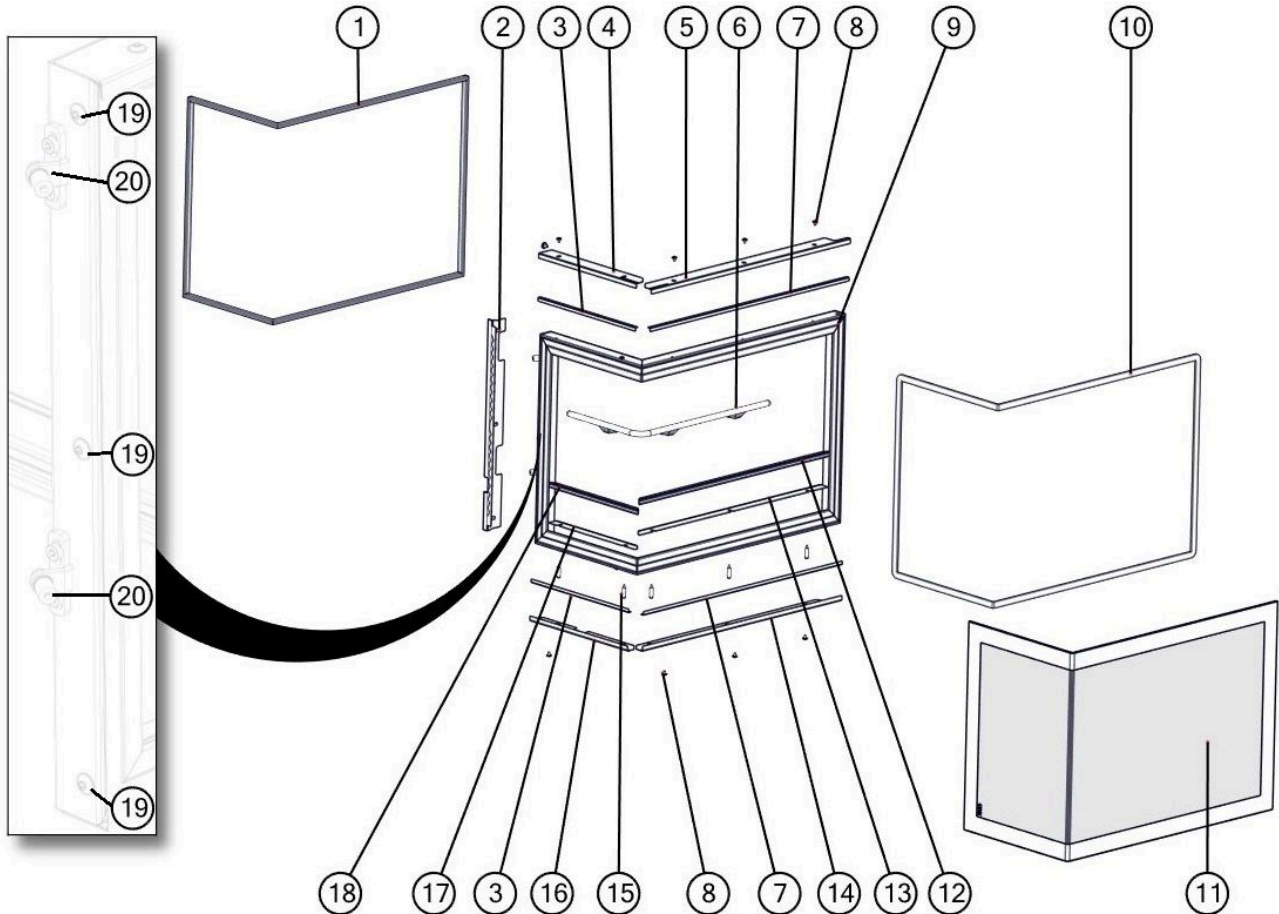
**5.4 BODY OF CORNER FIREPLACE 42-57-30 LIFTING DOOR LEFT**



| Item | Designation                                    | Part No.   | No. of pcs. |
|------|--|------------|-------------|
| 1    | Smoke gas outlet D200 comp. assembly           | I058039    | 1           |
|      | Optional: Smoke gas outlet D180 comp. assembly | I058043    |             |
|      | Optional: Smoke gas outlet D160 comp. assembly | I058046    |             |
| 2    | Deflector plate                                | I068073    | 1           |
| 3    | Guide rail right side complete assembly        | I068063    | 1           |
| 4    | Guide rollers holder right side assembly       | I003247    | 2           |
| 5    | Air adjuster assembly                          | W039040    | 1           |
| 6    | Corner door assembly - STL                     | I068149-01 | 1           |
| 7    | Guide rollers holder left side assembly        | I003212    | 2           |
| 8    | Air deflector assembly - L                     | I068127    | 1           |
| 9    | Lock complete assembly left side               | I051191    | 1           |
| 10   | Guide rail left side complete assembly         | I068060    | 1           |
| 11   | Steel pulley assembly 150                      | I017104    | 2           |
| 12   | Eckkamin counterweight wire                    | 2000467    | 2           |

| Item | Designation                          | Part No. | No. of pcs. |
|------|--------------------------------------|----------|-------------|
| 13   | Air connection nozzle comp. assembly | 2333     | 1           |

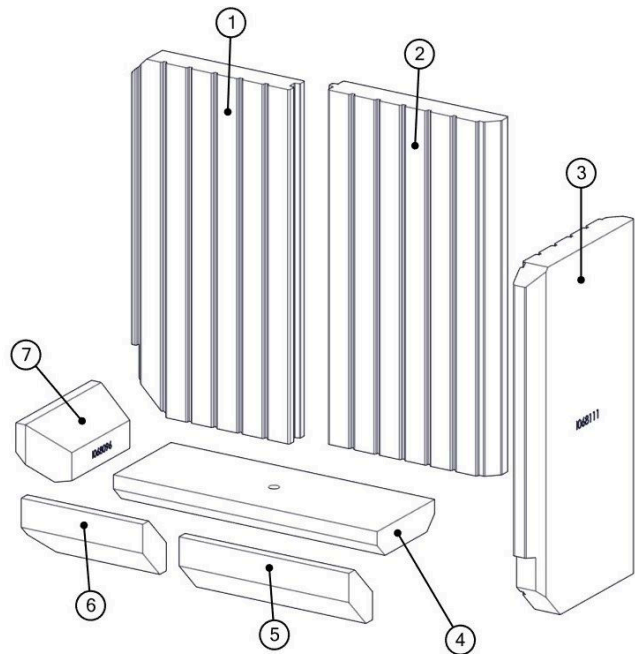
**Corner door - STL (I068149)**



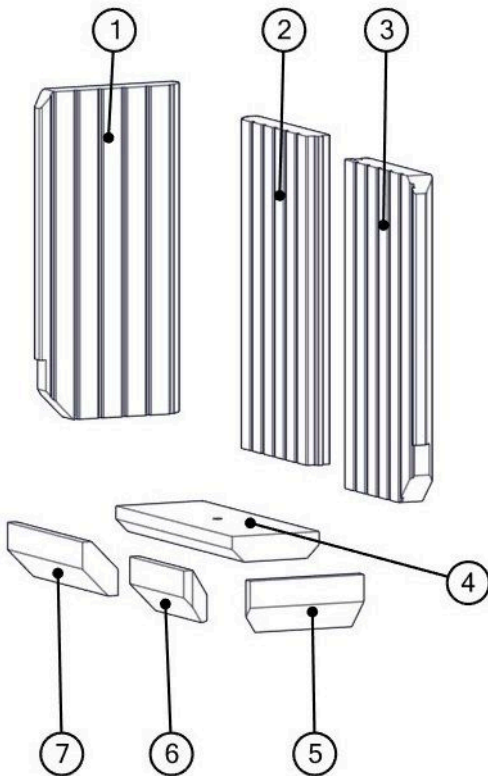
| Item | Designation                       | No. | Part No.   | Item | Designation                       | No. | Part No.   |
|------|-----------------------------------|-----|------------|------|-----------------------------------|-----|------------|
| 1    | Sealing between door and front    | 1   | I068015    | 2    | Left side door aperture assembly  | 1   | I051231-01 |
| 3    | Short sealing holder              | 2   | I068028    | 4    | Short upper glass holder          | 1   | I068155-01 |
| 5    | Long upper glass holder           | 1   | I068154-01 | 6    | Door handle assembly - L          | 1   | I068143    |
| 7    | Long sealing holder               | 2   | I068020    | 8    | Torx screw with lens flanged head | 10  | 2543       |
| 9    | STL Door frame assembly           | 1   | I068144    | 10   | Sealing between glass and door    | 1   | I068016    |
| 11   | Glass pane                        | 1   | I068010-01 | 12   | Long lower clamping profile - L   | 1   | I068150    |
| 13   | Long sealing steel cover - L      | 1   | I068152    | 14   | Long lower glass holder           | 1   | I068156-01 |
| 15   | Screw M3x6 - 26                   | 5   | 2446       | 16   | Short lower glass holder          | 1   | I068157-01 |
| 17   | Short sealing steel cover - L     | 1   | I068153    | 18   | Short lower clamping profile - L  | 1   | I068151    |
| 19   | Torx screw with lens flanged head | 3   | 2582       | 20   | Locking pin assembly              | 2   | I013323    |

## 5.5 INNER LININGS CORNER FIREPLACE 42-57-30 LEFT SIDE

| Item | Art. No. | Designation               | Number |
|------|----------|---------------------------|--------|
| 1    | I068110  | Right side wall stone - L | 1      |
| 2    | I068099  | Corner stone 260x505      | 1      |
| 3    | I068111  | Left side wall stone - L  | 1      |
| 4    | I068095  | Bottom plate              | 1      |
| 5    | I068102  | Straight wedge stone      | 1      |
| 6    | I068097  | Right front wedge stone   | 1      |
| 7    | I068096  | Left front wedge stone    | 1      |



## 5.6 INNER LININGS CORNER FIREPLACE 42-57-30 RIGHT SIDE

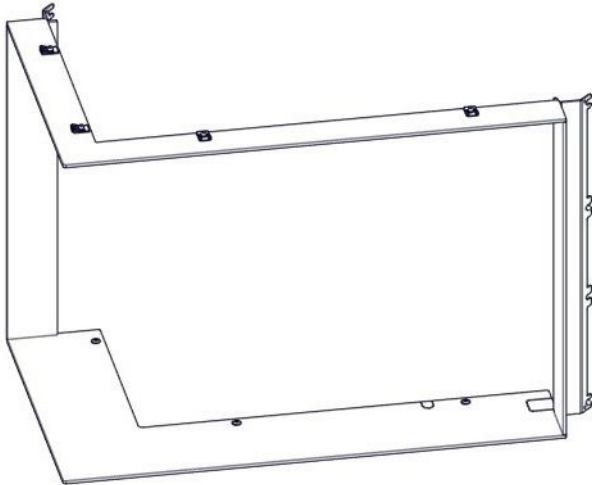


| Item | Part no. | Designation               |
|------|----------|---------------------------|
| 1    | I068100  | Left side wall stone - R  |
| 2    | I068099  | Corner stone 260x505      |
| 3    | I068101  | Right side wall stone - R |
| 4    | I068095  | Bottom plate              |
| 5    | I068097  | Right front wedge stone   |
| 6    | I068096  | Left front wedge stone    |
| 7    | I068102  | Straight wedge stone      |

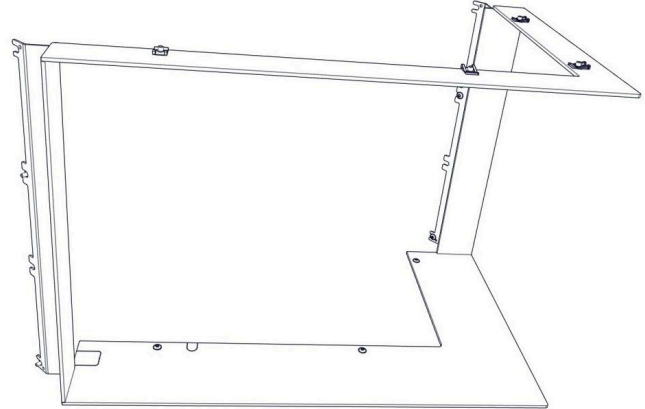
## 5.7 MOUNTING FRAME CORNER FIREPLACE 42-57-30 LIFTING DOOR

The mounting frame is pre-installed at delivery.

for Eck-Kamin with left side lifting door:



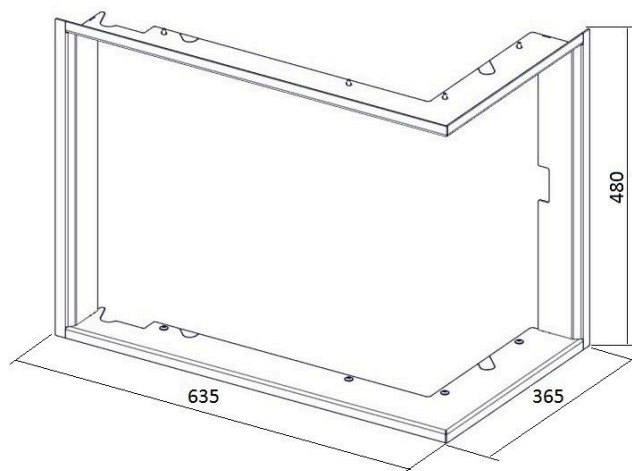
for Eck-Kamin with right side lifting door:



| Available variants:                    |
|--|
| Mounting frame, black, 50 mm           |
| Mounting frame, stainless steel, 50 mm |
| Mounting frame, black, 70 mm           |
| Mounting frame, stainless steel, 70 mm |
| Mounting frame, raw steel, 70 mm       |



## 5.8 DOOR FRAME CORNER FIREPLACE 42-57-30 SIDE-OPENING DOOR

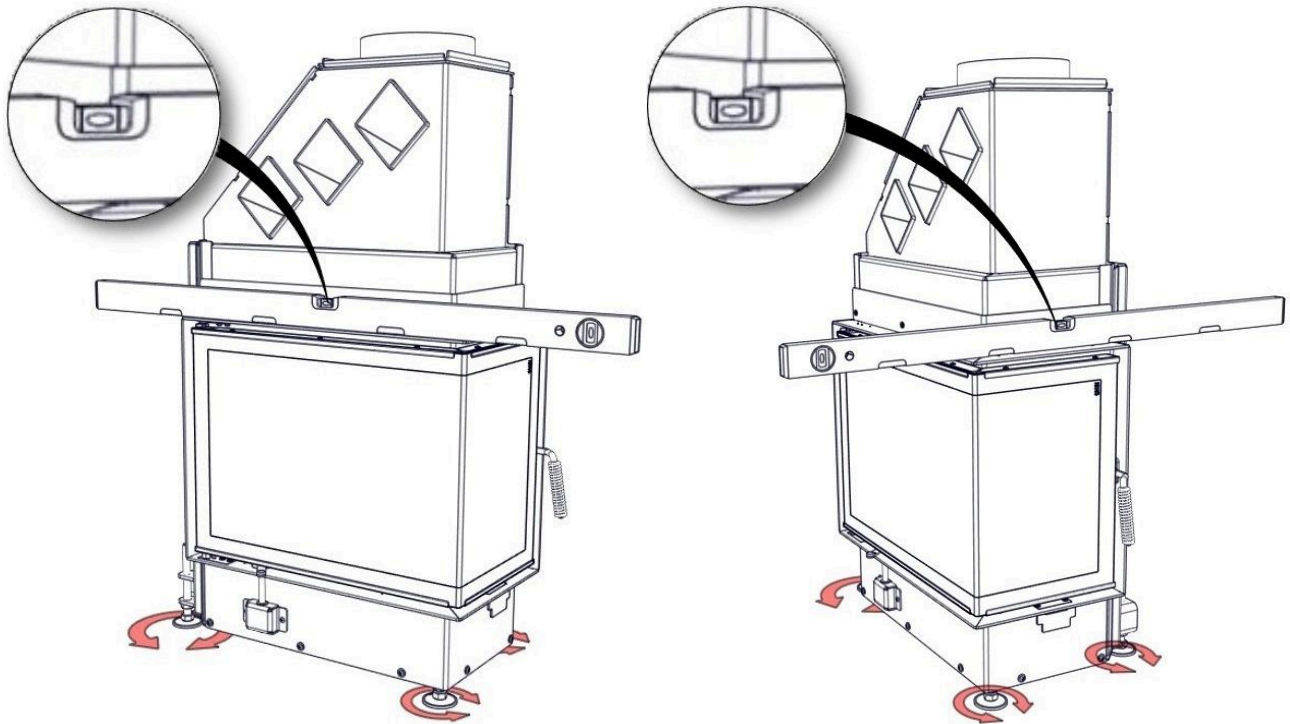
**Available variants:**

Door frame, black

Door frame, stainless steel

## 6 ASSEMBLY DRAWINGS - SIDE-OPENING DOOR

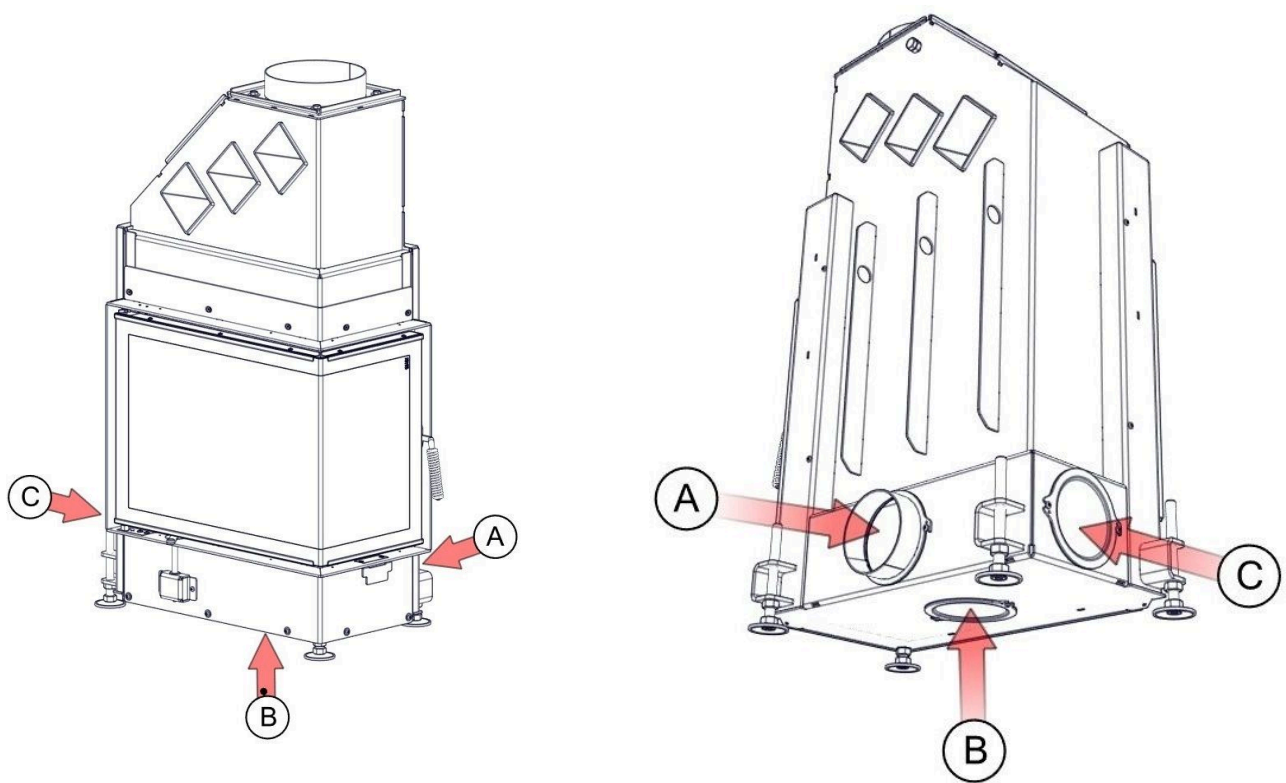
### 6.1 LEVELLING



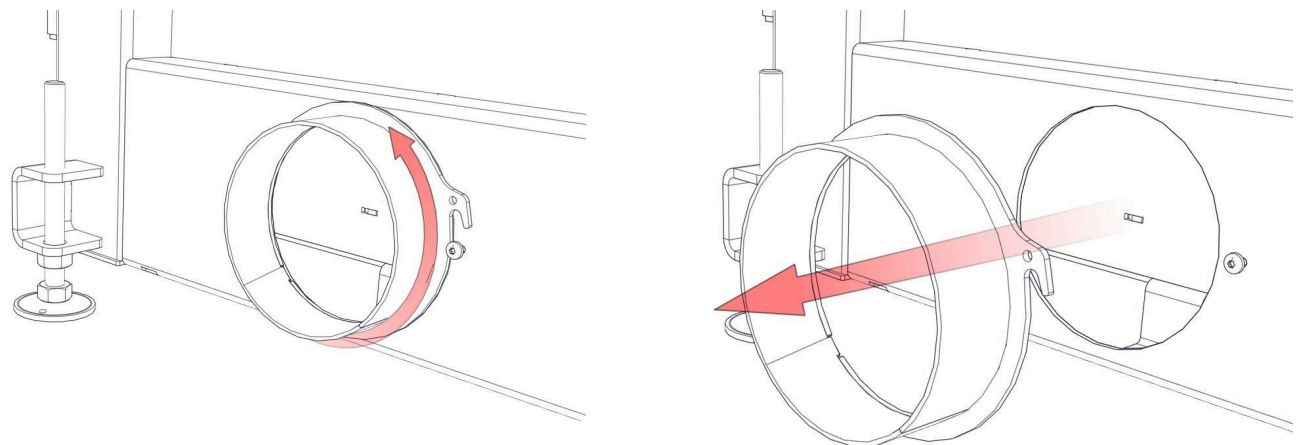
### 6.2 CONNECTING OF AIR AND/OR EXHAUST LINE

#### Air connection

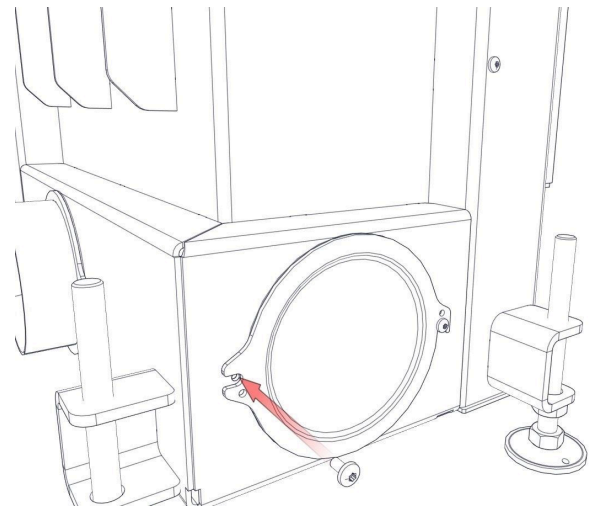
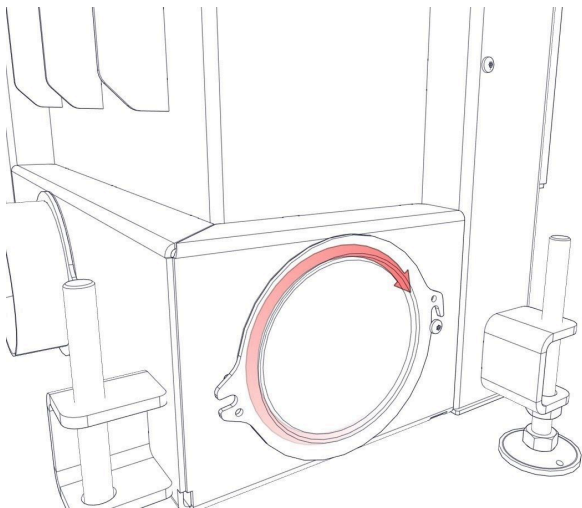
Each corner fireplace comes as standard with an air connection nozzle (125mm diameter). This can be moved from the default position at delivery (A) to the other positions for air connection (B or C).



Removal of air connection nozzle: (Installation in reverse order)

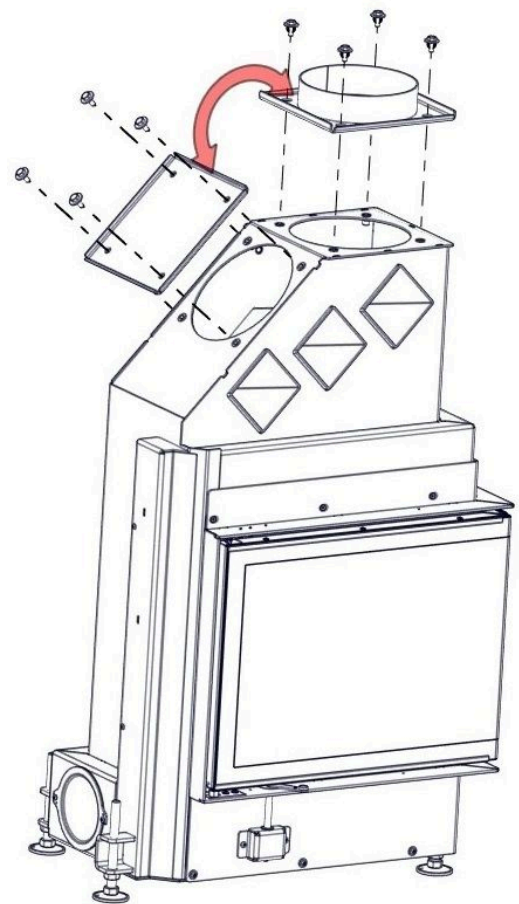
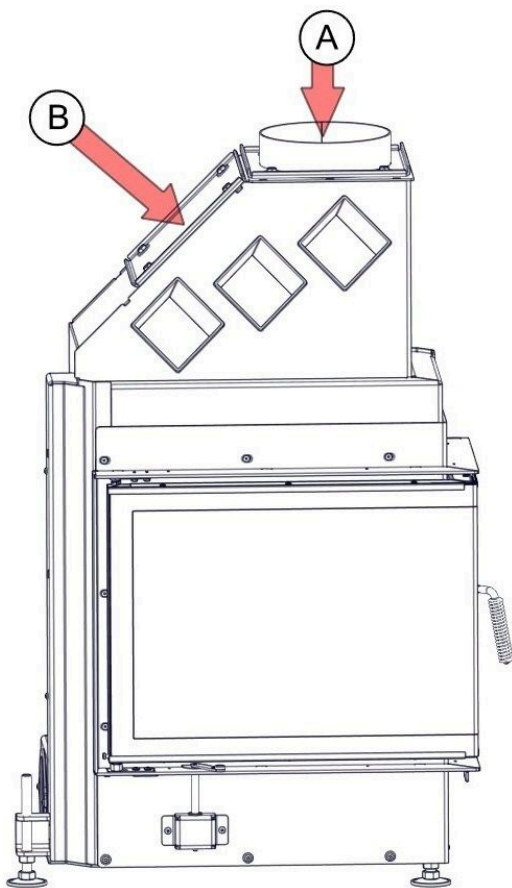


The not used positions for air connection are closed with blind covers. Installation of blind cover:

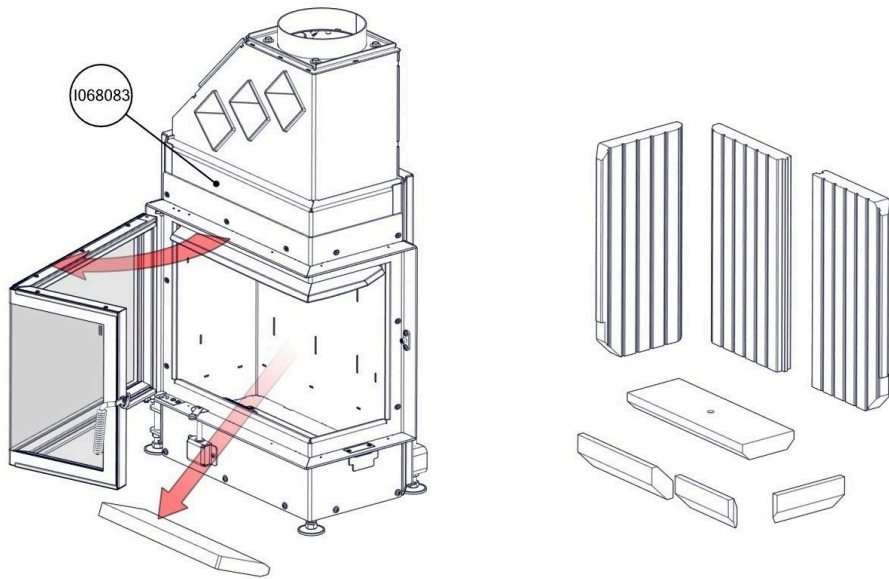


**Exhaust line connection (smoke gas outlet)**

Each Corner fireplace comes as standard with an exhaust gas nozzle (200mm diameter). This can be moved from the default position at delivery (A) to the other position for exhaust line connection (B) or exchanged with the option: Smoke gas outlet  $\varnothing$  180 or  $\varnothing$ 160.

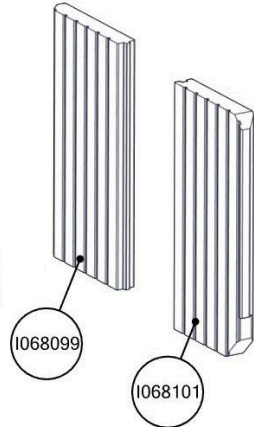
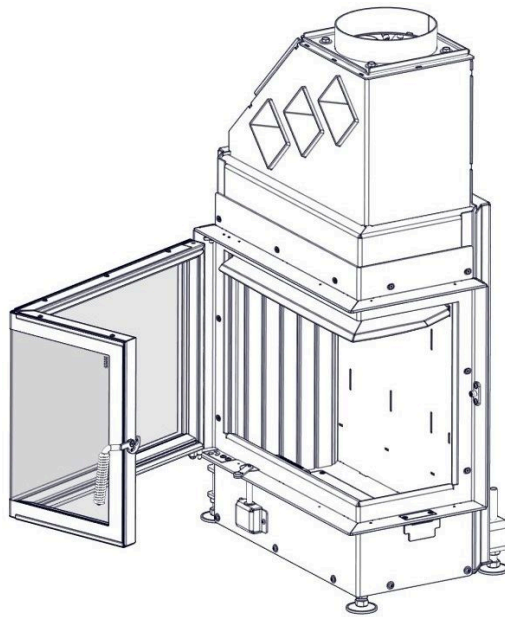
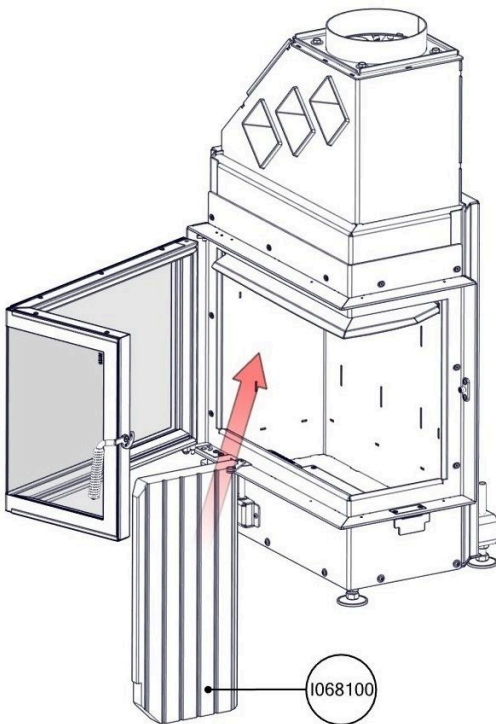


**6.3 INNER LININGS ASSEMBLY 42-57-30 RIGHT SIDE OPENING**

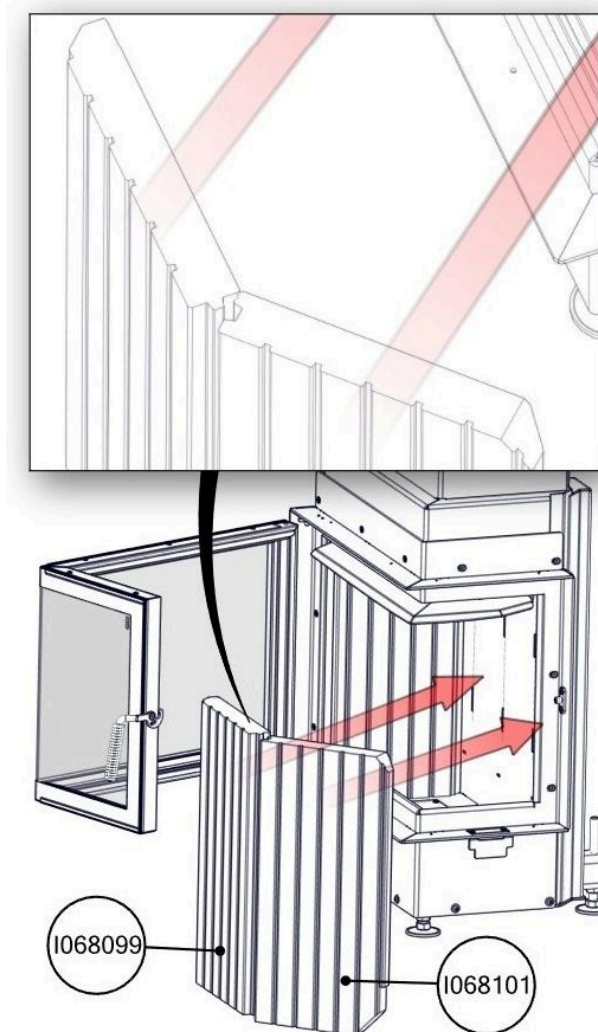


1

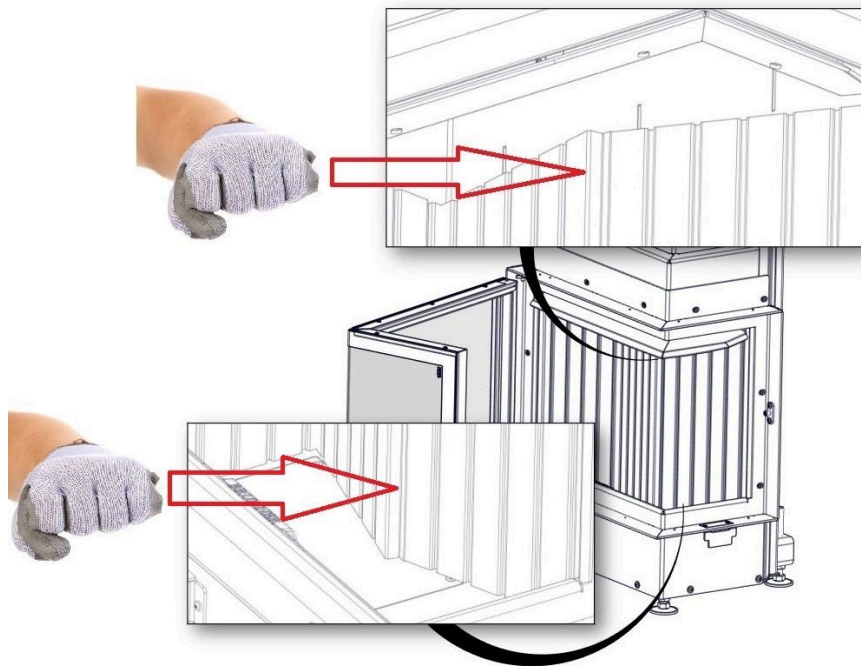
2



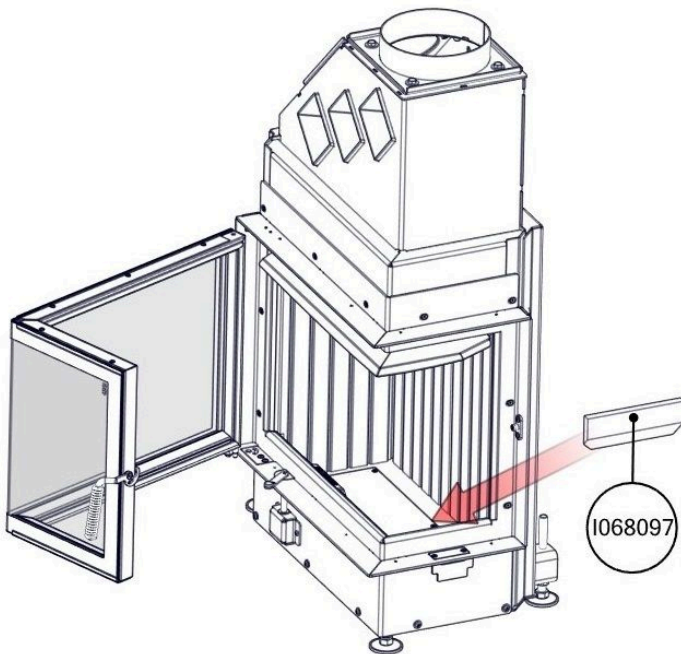
3



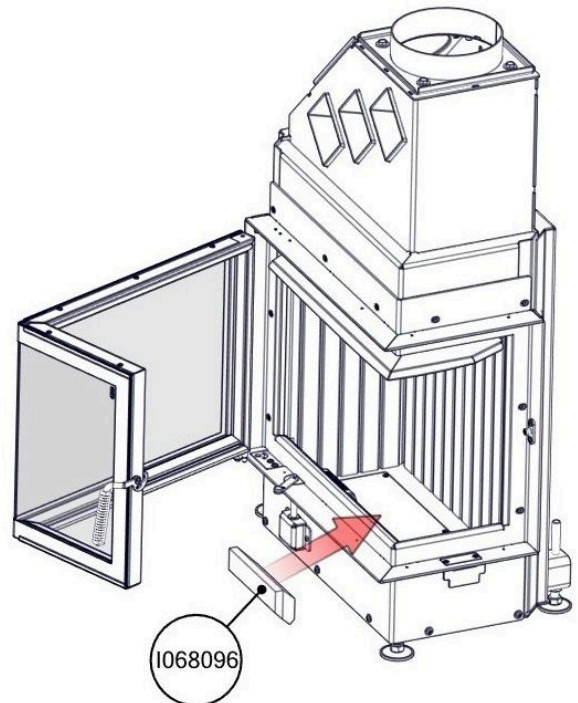
4

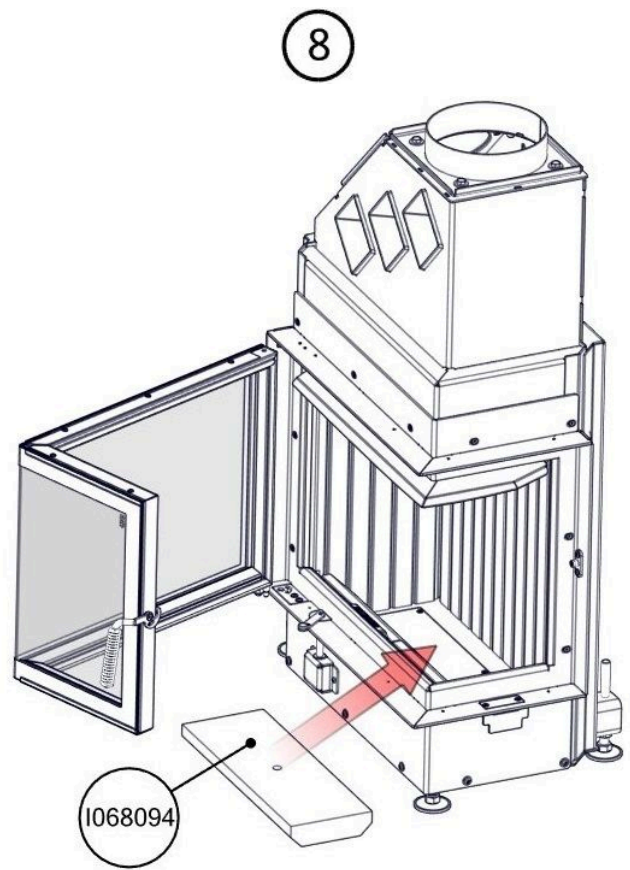
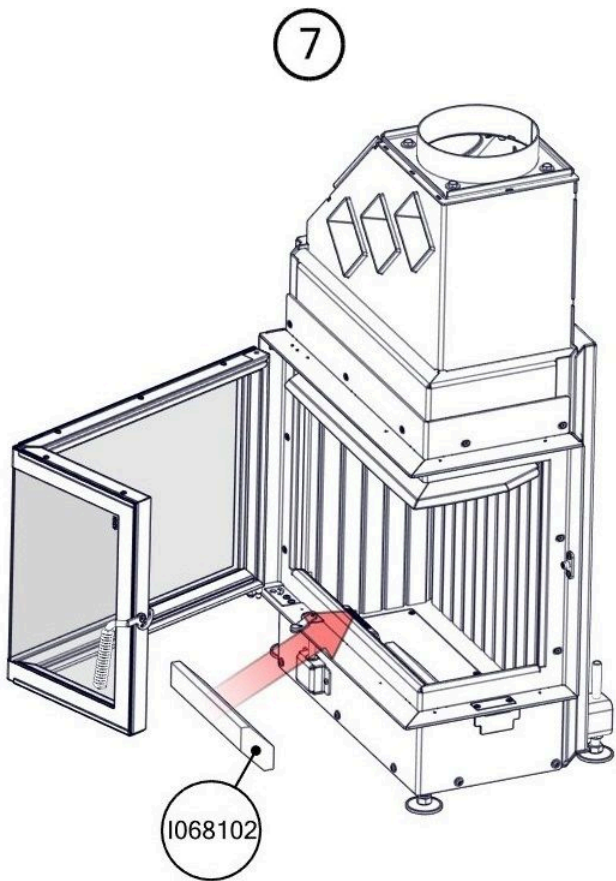


5



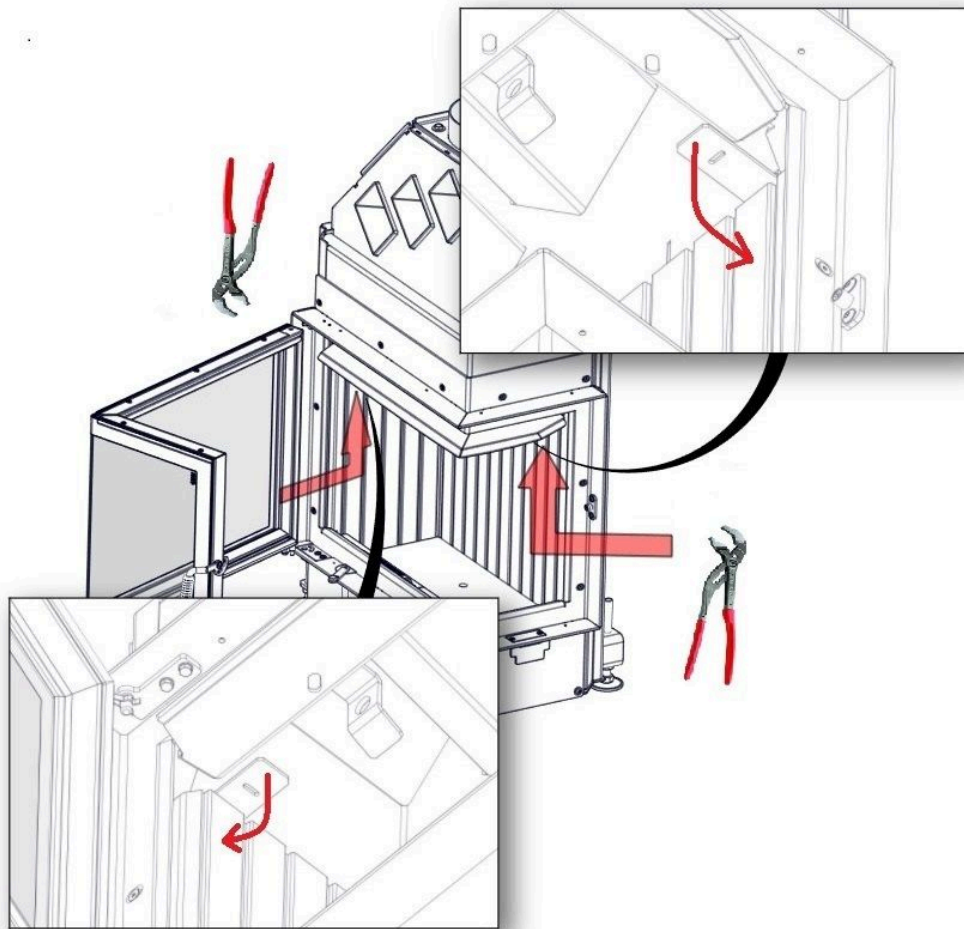
6



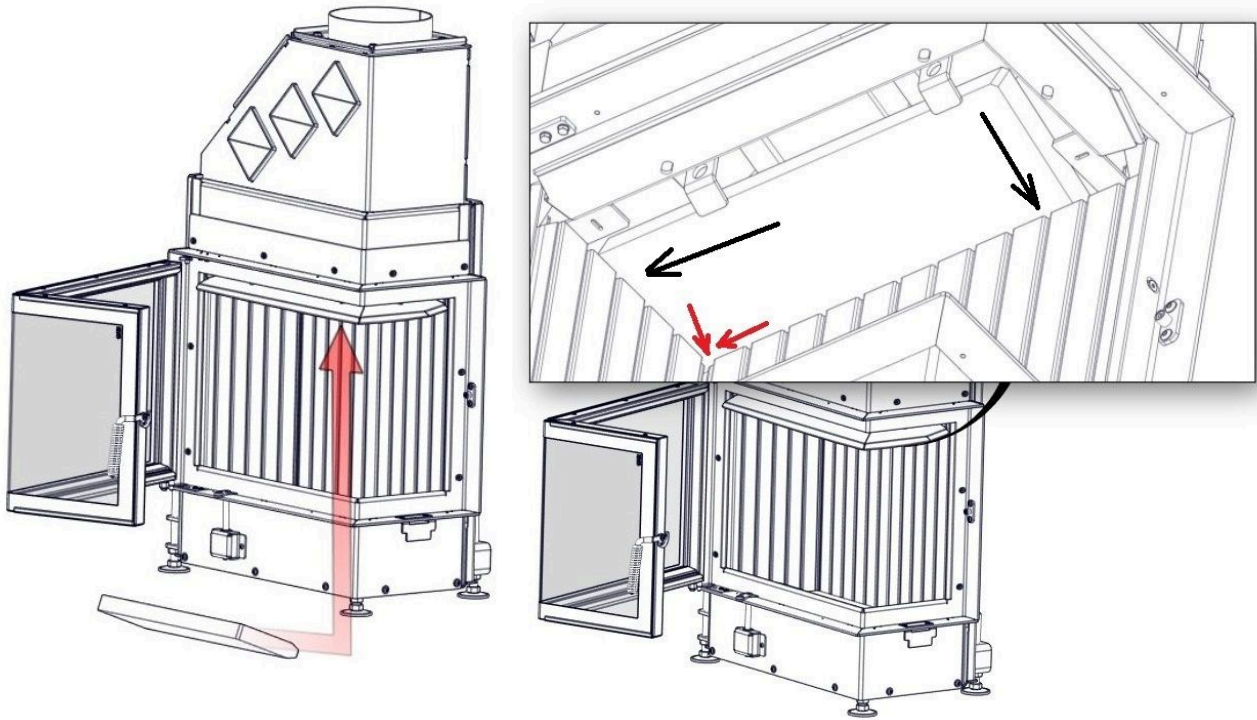




9

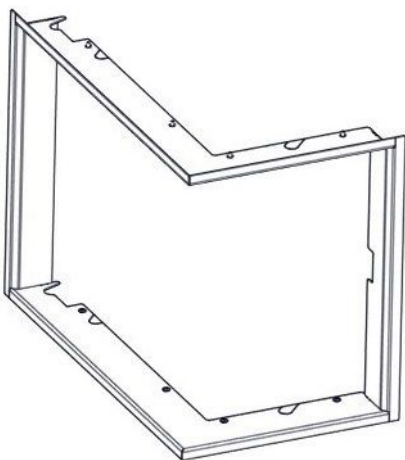


**Mounting of deflector plate**

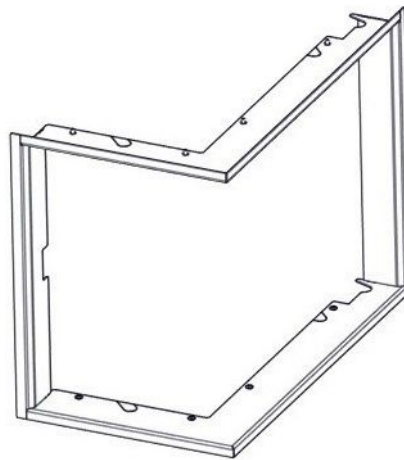


**6.4 FRAME MOUNTING**

**6.4.1 PREPARATION OF DOOR FRAME 42-57-30 SIDE- OPENING**



*Illustration 1: Door frame for left-hinged door*



*Illustration 2: Door frame for right-hinged door*

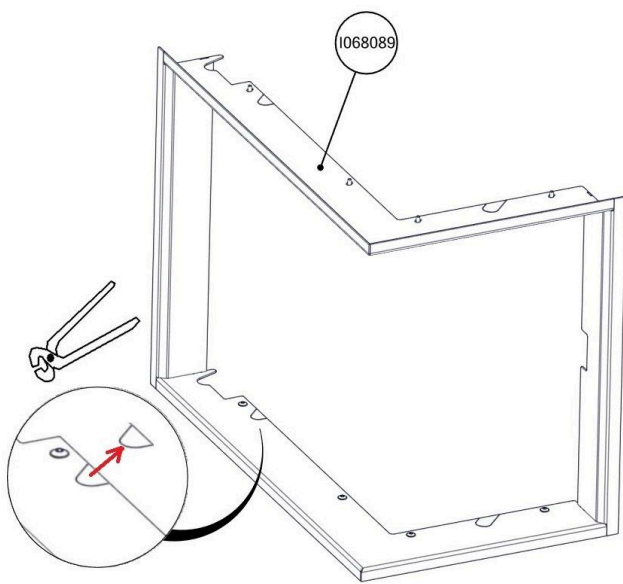


Illustration 3: for manual control

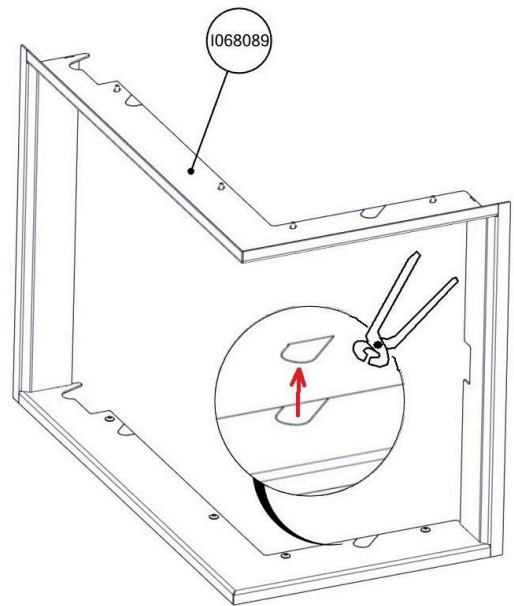
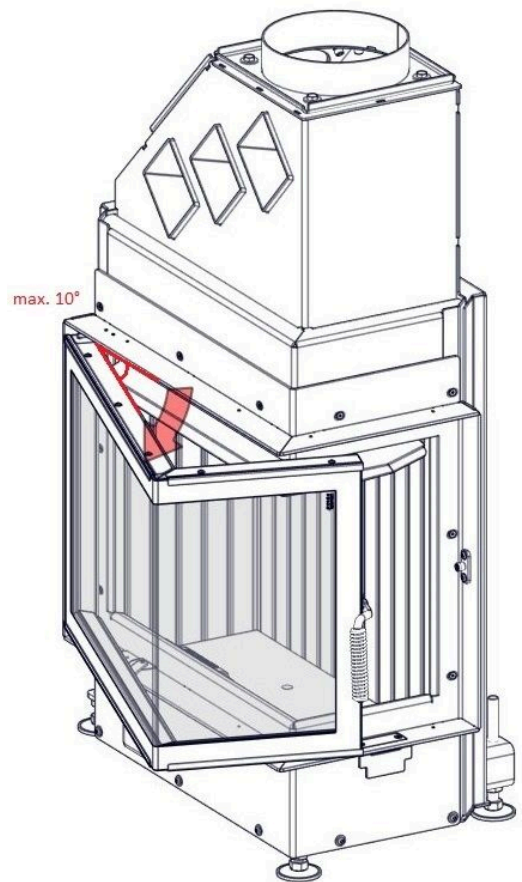
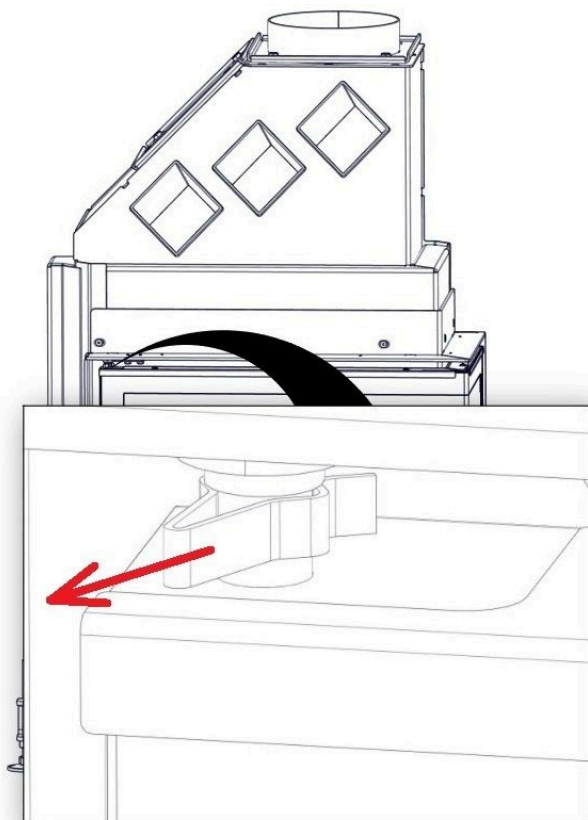
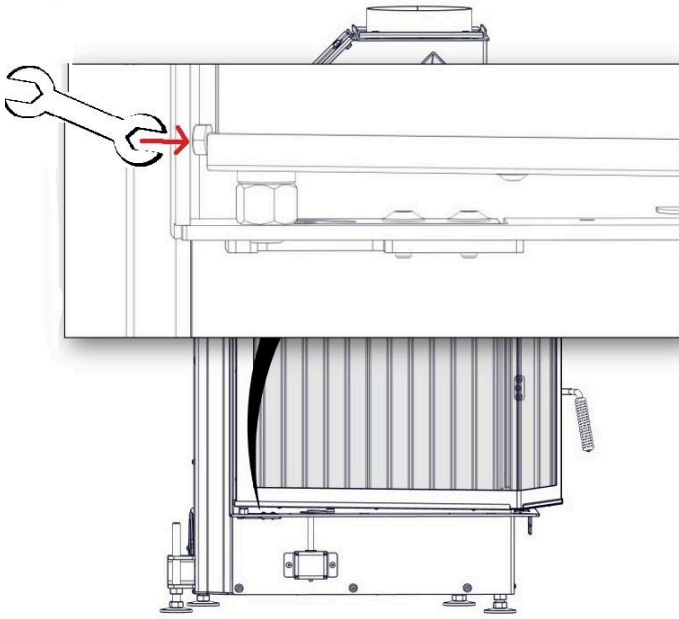


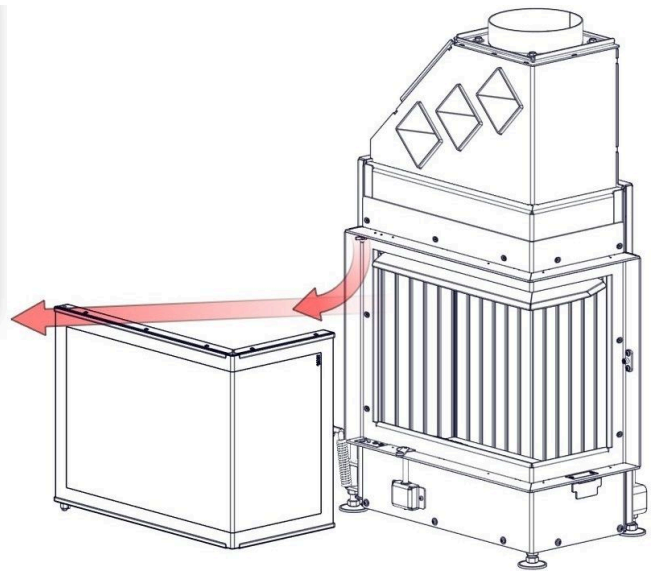
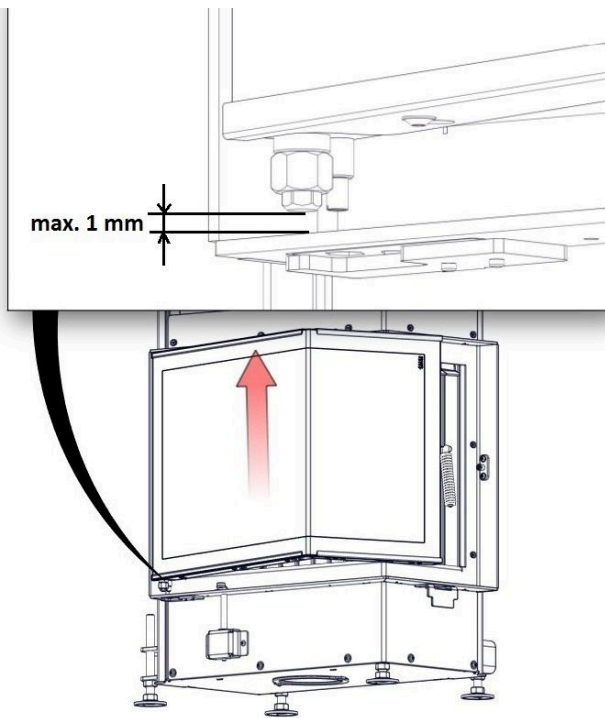
Illustration 4: for EOS

#### 6.4.2 REMOVAL OF SIDE-OPENING DOOR 42-57-30

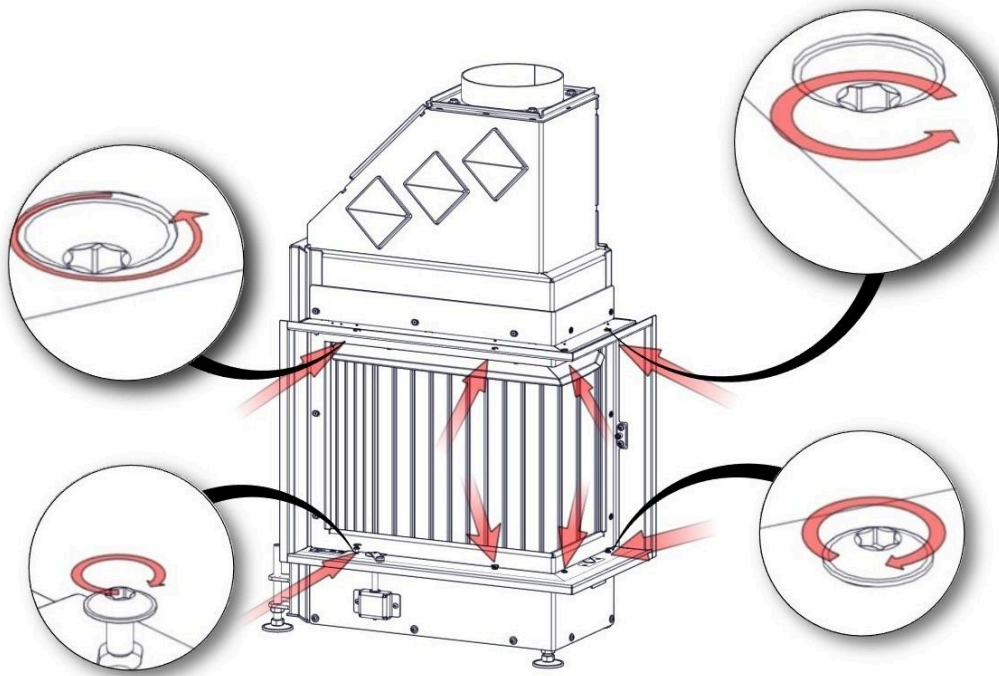
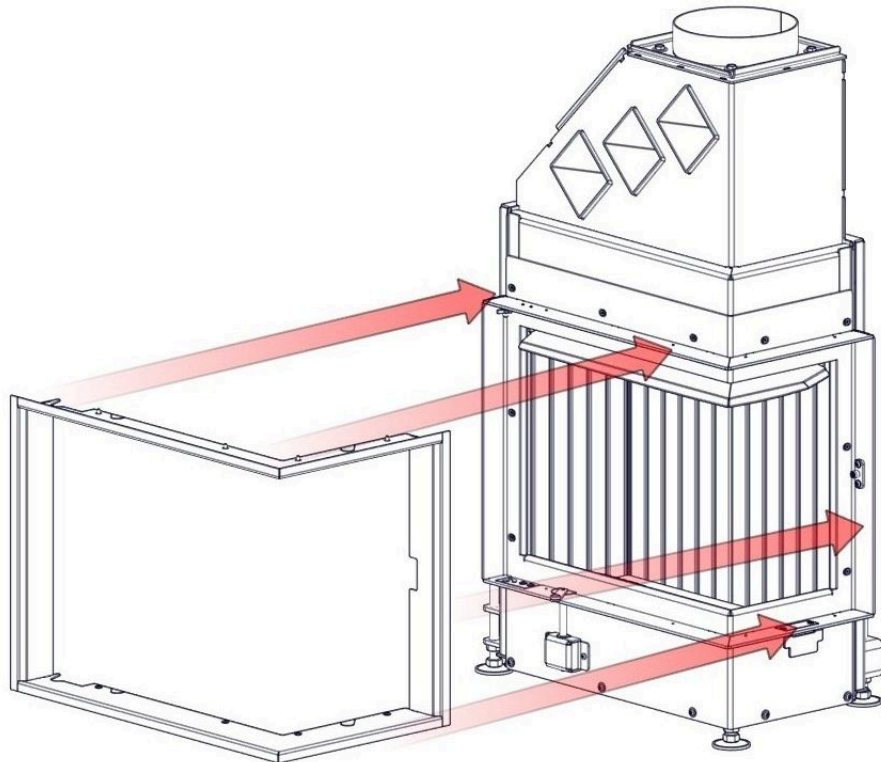




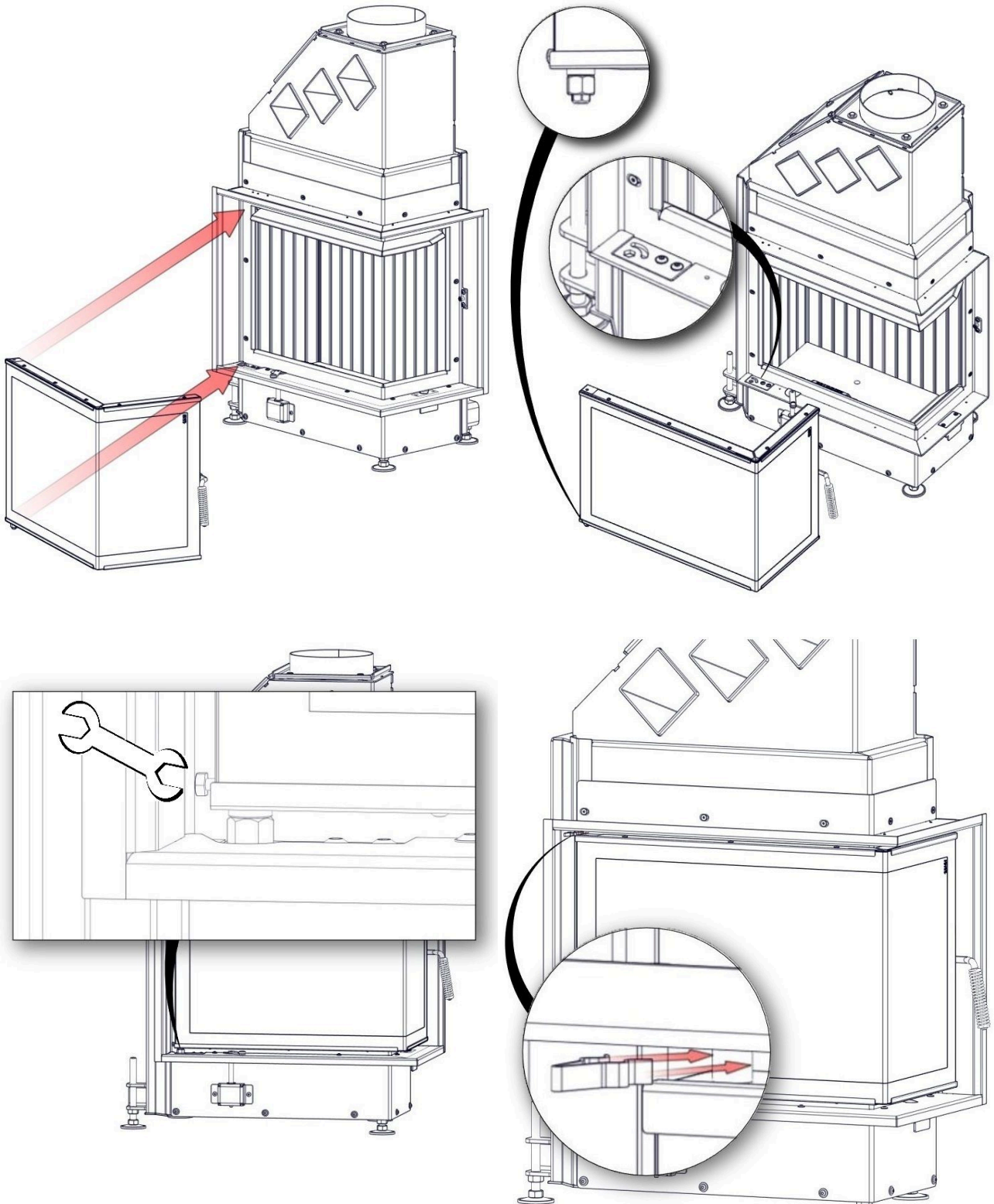
Caution: **do not** turn the door now!



**6.4.3 ASSEMBLY OF DOOR FRAME 42-57-30 SIDE-OPENING**

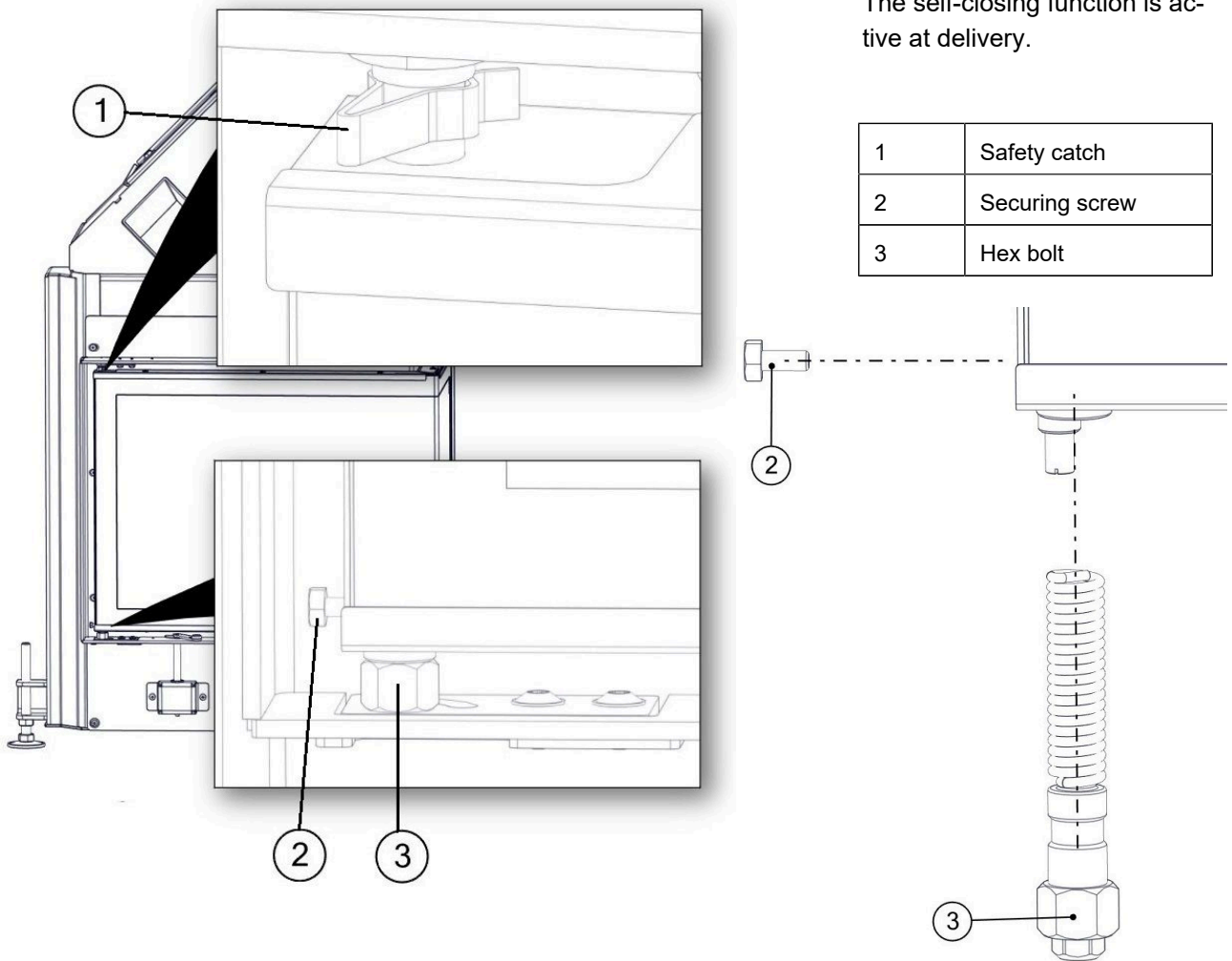


**6.4.4 ASSEMBLY OF SIDE-OPENING DOOR 42-57-30**



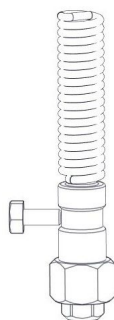
**6.4.5 ADJUSTING OF SELF-CLOSING DOOR**

The self-closing function is active at delivery.

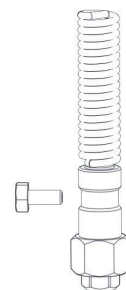


|   |                |
|---|----------------|
| 1 | Safety catch   |
| 2 | Securing screw |
| 3 | Hex bolt       |

Position: **locked:**



Position: **unlocked:**



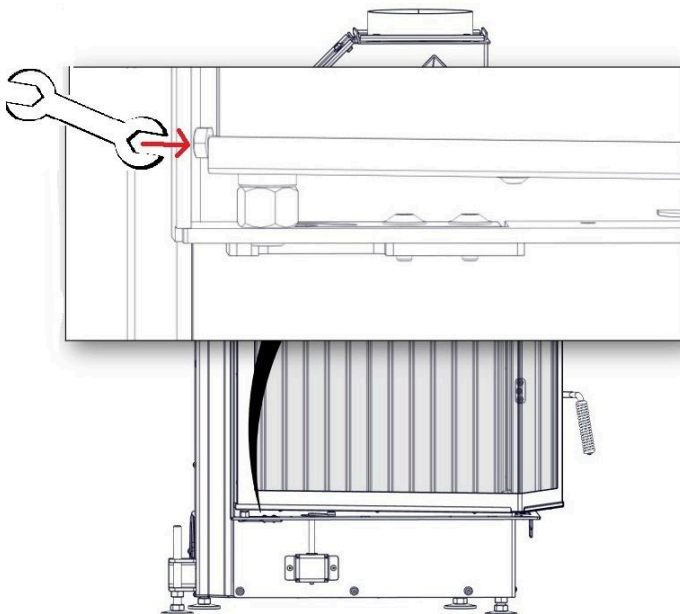
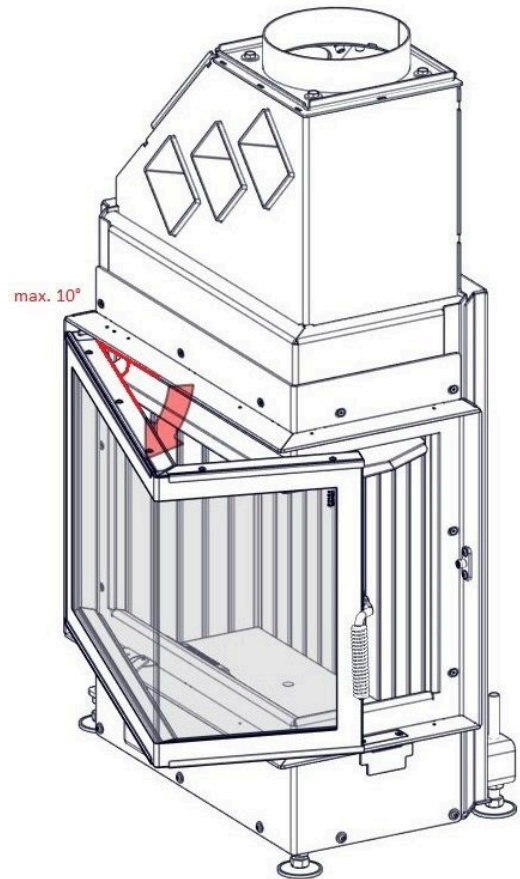
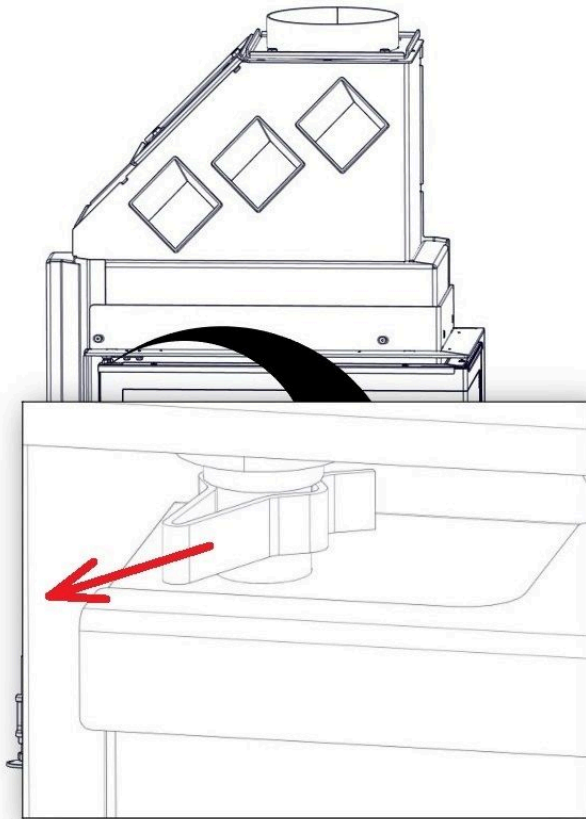
To deactivate or activate the self-closing function, perform the steps below:

**Door removal**

- Remove the safety catch (1)
- Open the door a little
- Secure the hex bolt (3) by fastening the securing screw (2); this will allow for fixing the spring pretension.

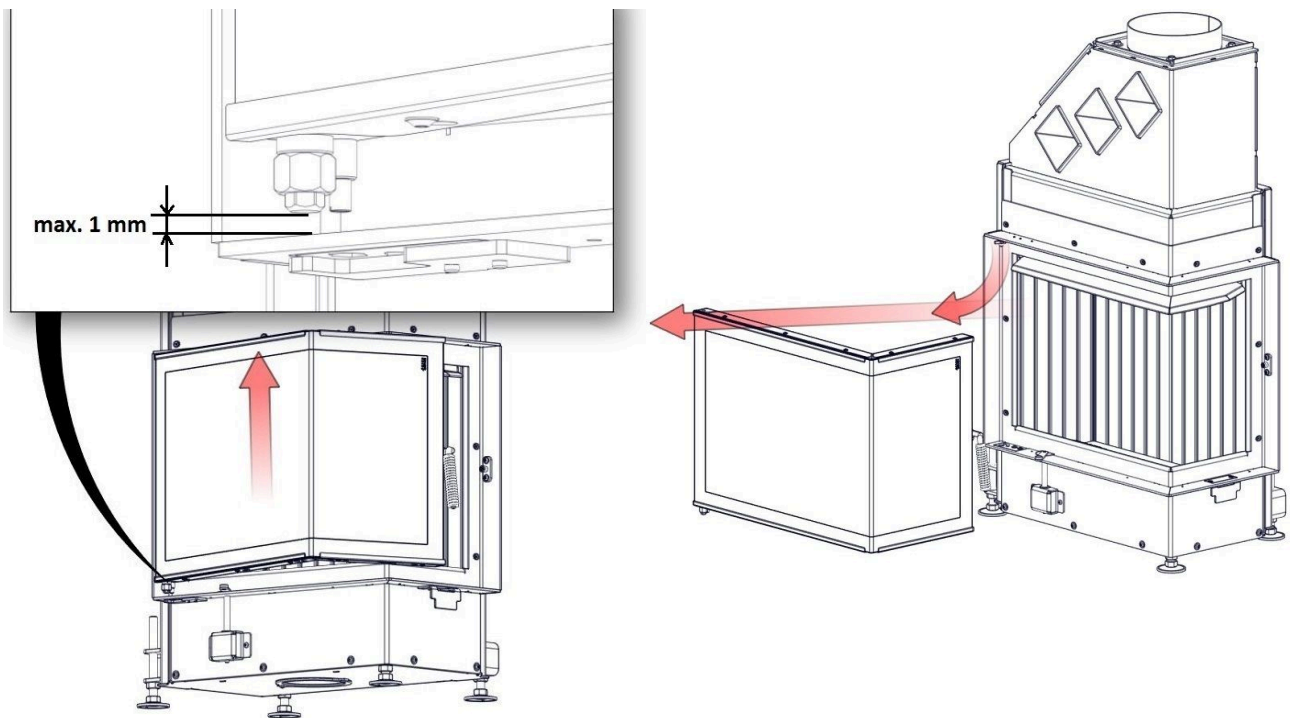
When the hex bolt (3) is fixed, the door must not be turned!

- Lift the door up until the hex bolt (3) is laid free
- Pull the door carefully at the bottom to yourself while lowering the door at the same time. The upper hinge bolt is now detached and the door can be removed.



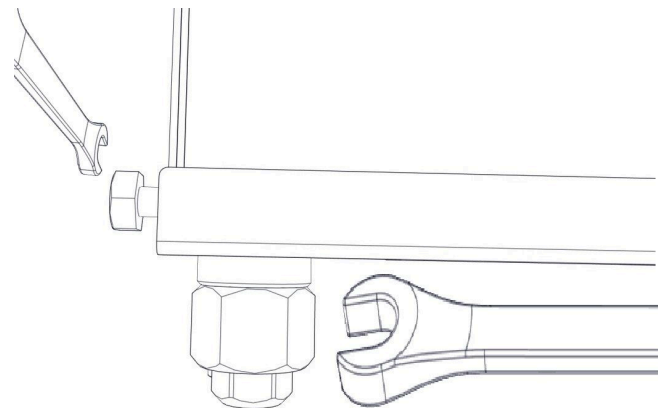
Caution: **do not** turn the door now!





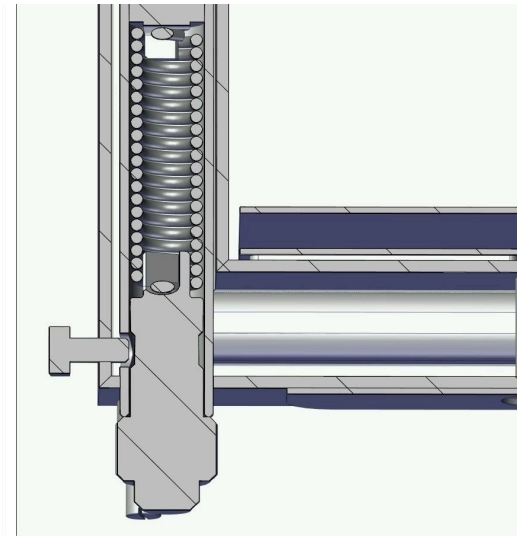
**To deactivate the self-closing function:**

- Secure (hold) the hex bolt (3) with a spanner (SW15)
- Unscrew the securing screw (2)
- Loosen the hex bolt (3) slowly with a spanner (Caution: spring force!)
- Fasten the securing screw (2) again, but do not tighten
- Attach the door again



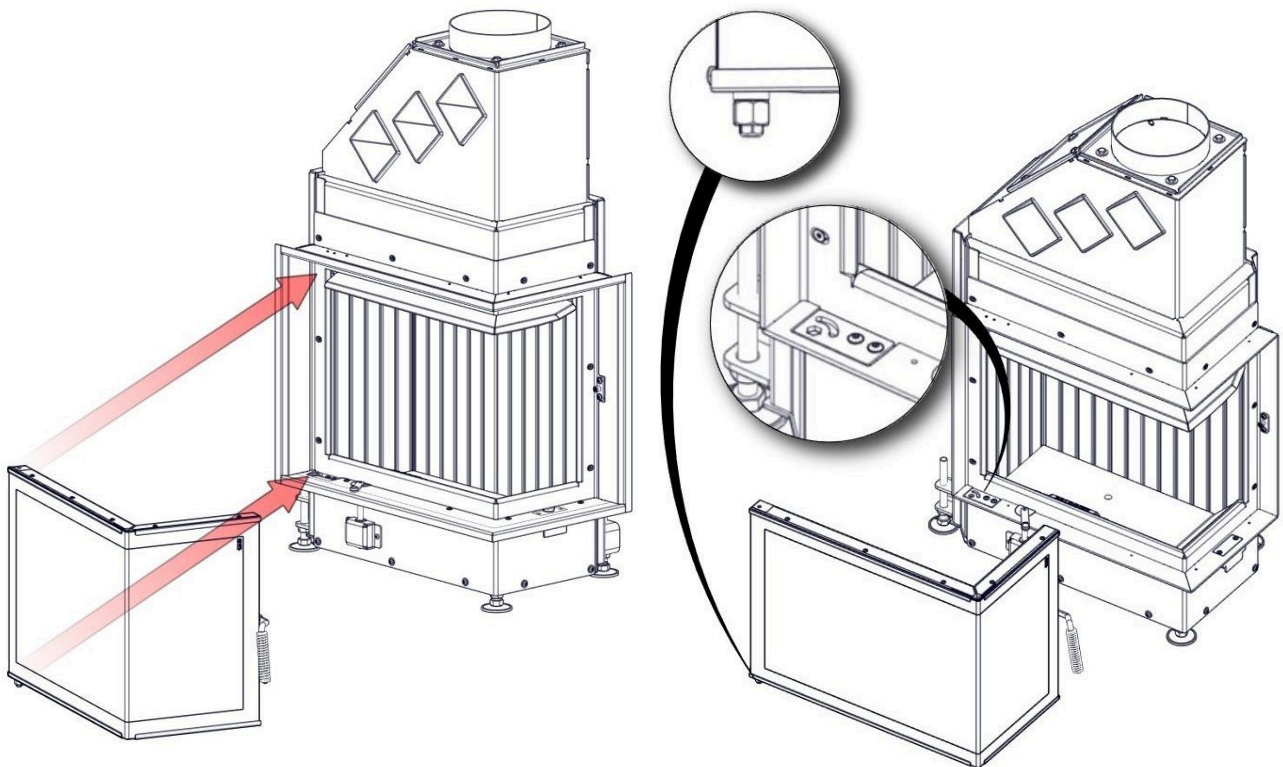
**To activate the self-closing function:**

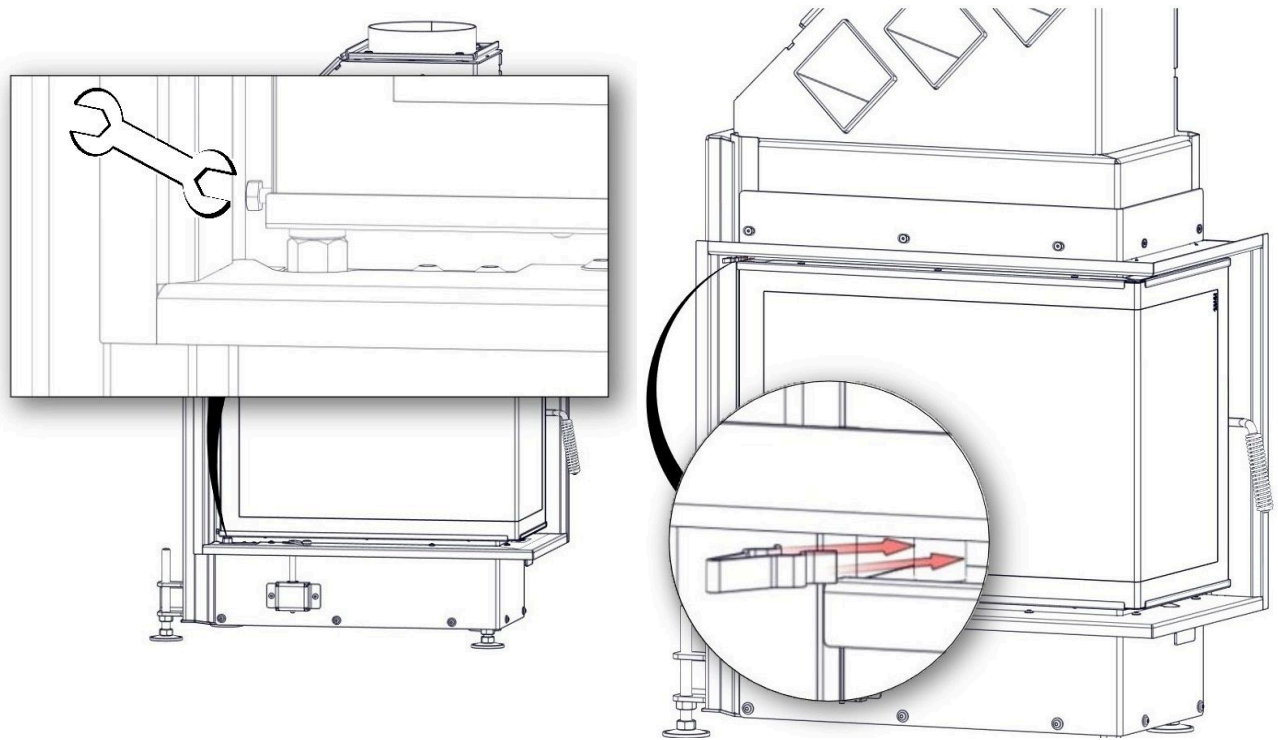
- Unscrew the securing screw (2)
- Turn the hex bolt (3) with the spring inside into the bore until the upper spring loop engages
- Pre-tension the hex bolt (3) by turning counter-clockwise (approx. 3/4 turn) and affix with securing screw (2)



**Door assembly**

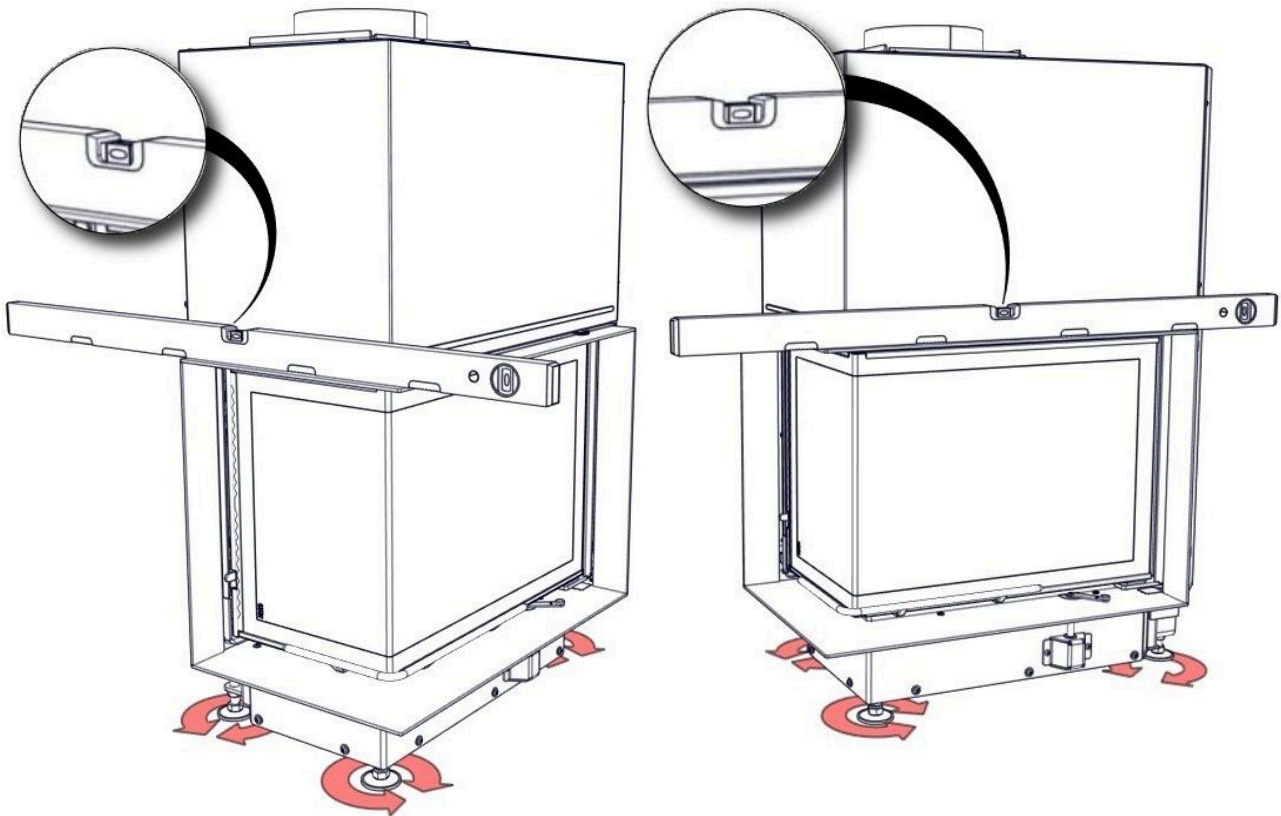
- To attach the door, align the door frame bore with the hinge bolt (3) and lift the door up. Lower the hex bolt (3) onto the hexagon openings in the lower horizontal frame part. As soon as the door is slightly turned, the hex bolt (3) should engage inside the openings. Do not turn the door, as long as the securing screw (2) is tightened.
- Loosen the securing screw (2) to open the fireplace door.
- Check the self-closing function. Adjustment of spring force is possible after detaching the door by changing the spring pretension (turning of hex bolt).
- Secure the door with safety catch (1).





## 7 ASSEMBLY OF CORNER FIREPLACE 42-57-30 LIFTING DOOR

### 7.1 LEVELLING OF CORNER FIREPLACE 42-57-30 LIFTING DOOR



#### Cladding of fireplace

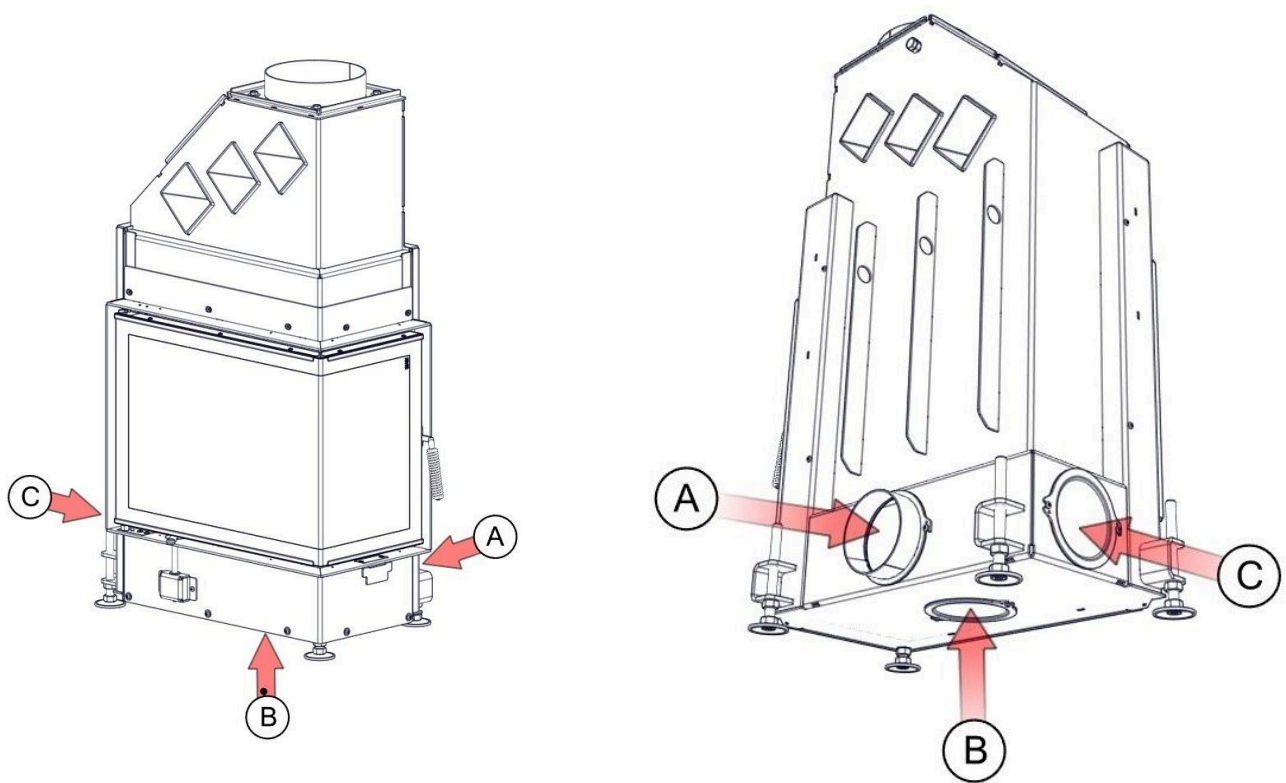
Do not wall in the door frame. An expansion joint must be provided between frame and cladding material.



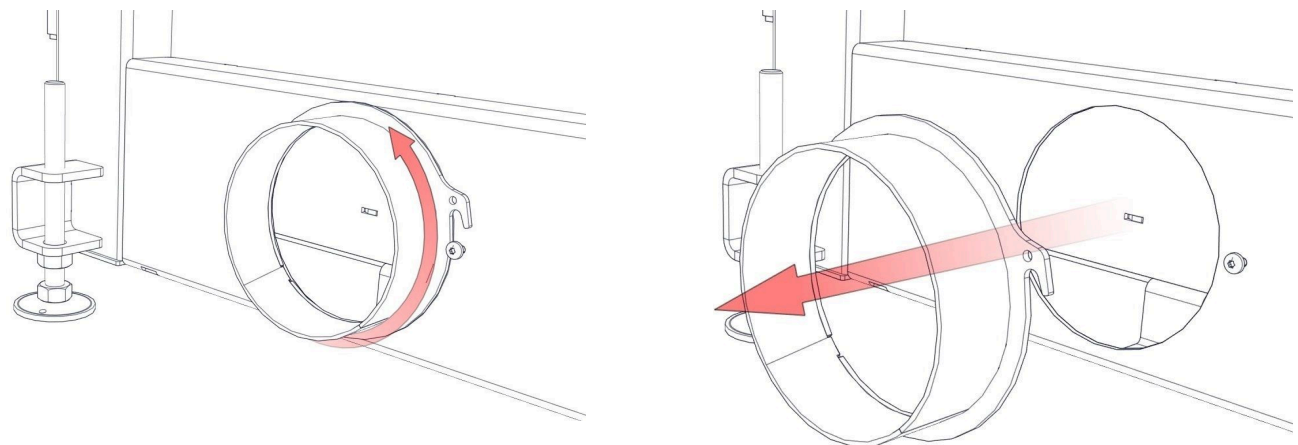
### 7.2 CONNECTING OF AIR AND/OR EXHAUST LINE

#### Air connection

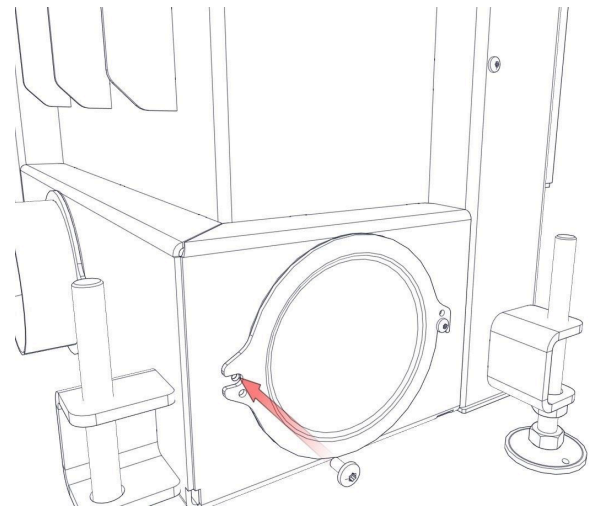
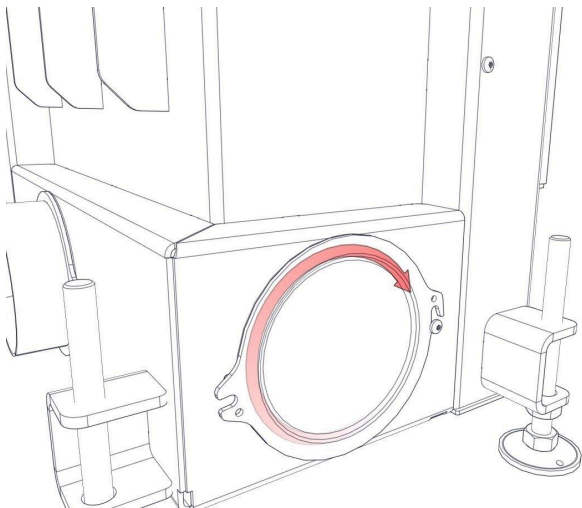
Each corner fireplace comes as standard with an air connection nozzle (125mm diameter). This can be moved from the default position at delivery (A) to the other positions for air connection (B or C).



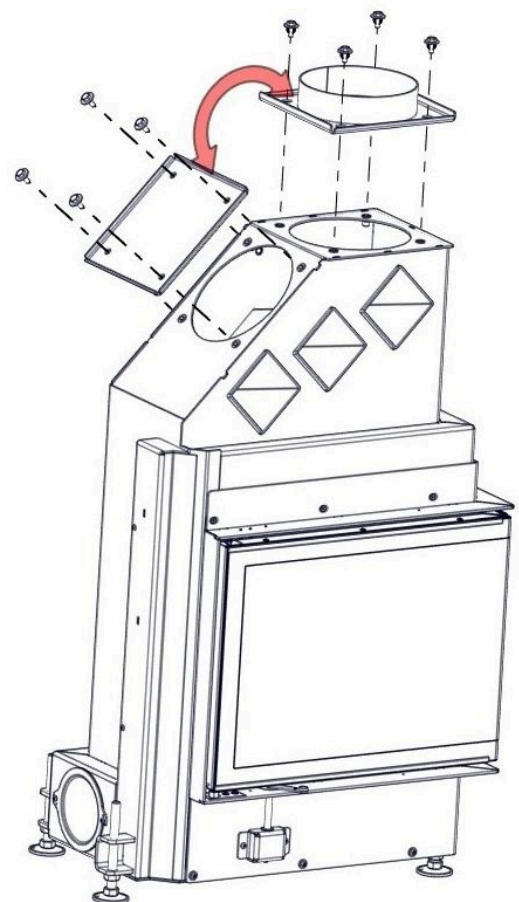
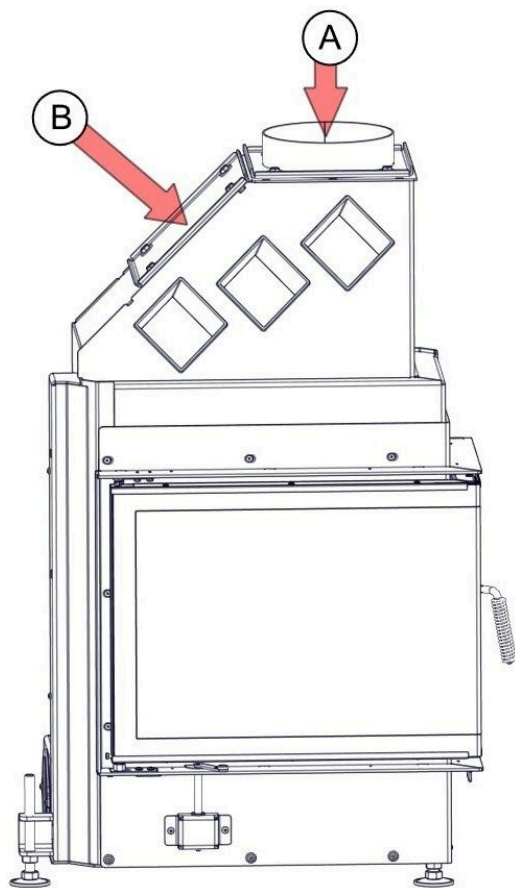
Removal of air connection nozzle: (Installation in reverse order)

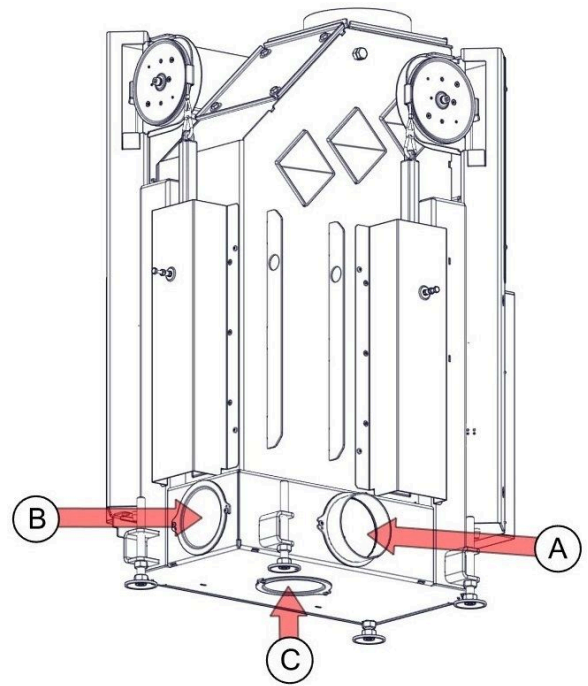
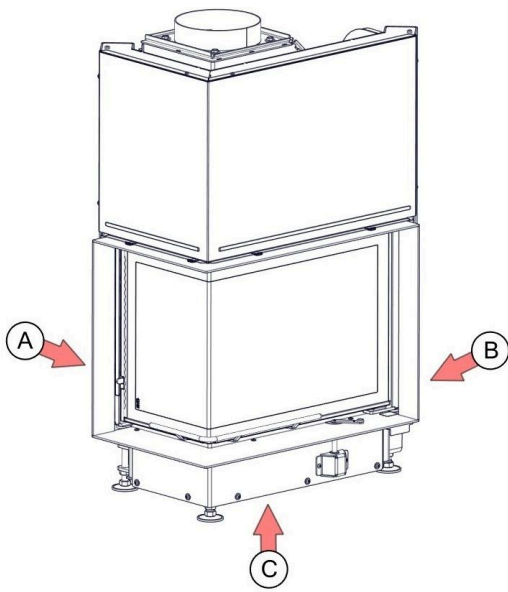


The not used positions for air connection are closed with blind covers. Installation of blind cover:

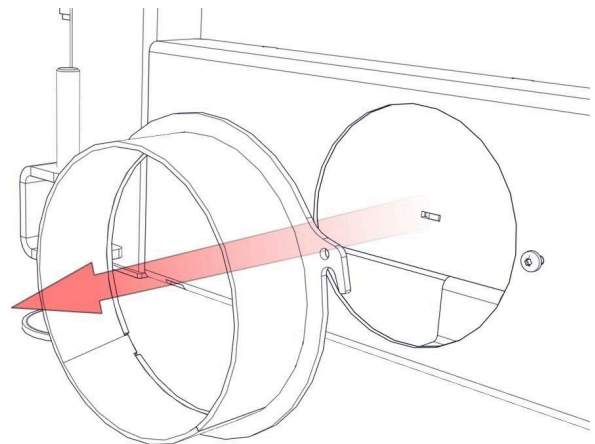
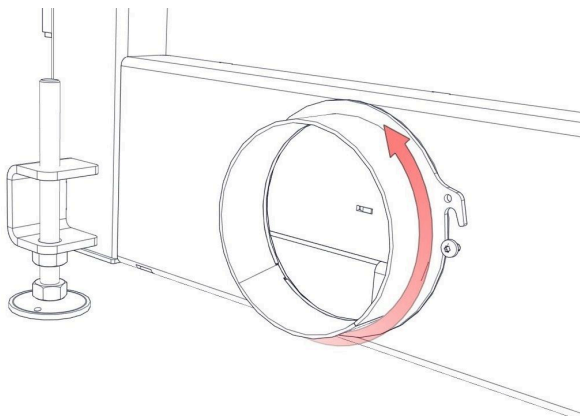


Each Corner fireplace comes as standard with an exhaust gas nozzle (200mm diameter). This can be moved from the default position at delivery (A) to the other position for exhaust line connection (B) or exchanged with the option: Smoke gas outlet  $\varnothing$  180 or  $\varnothing$ 160.

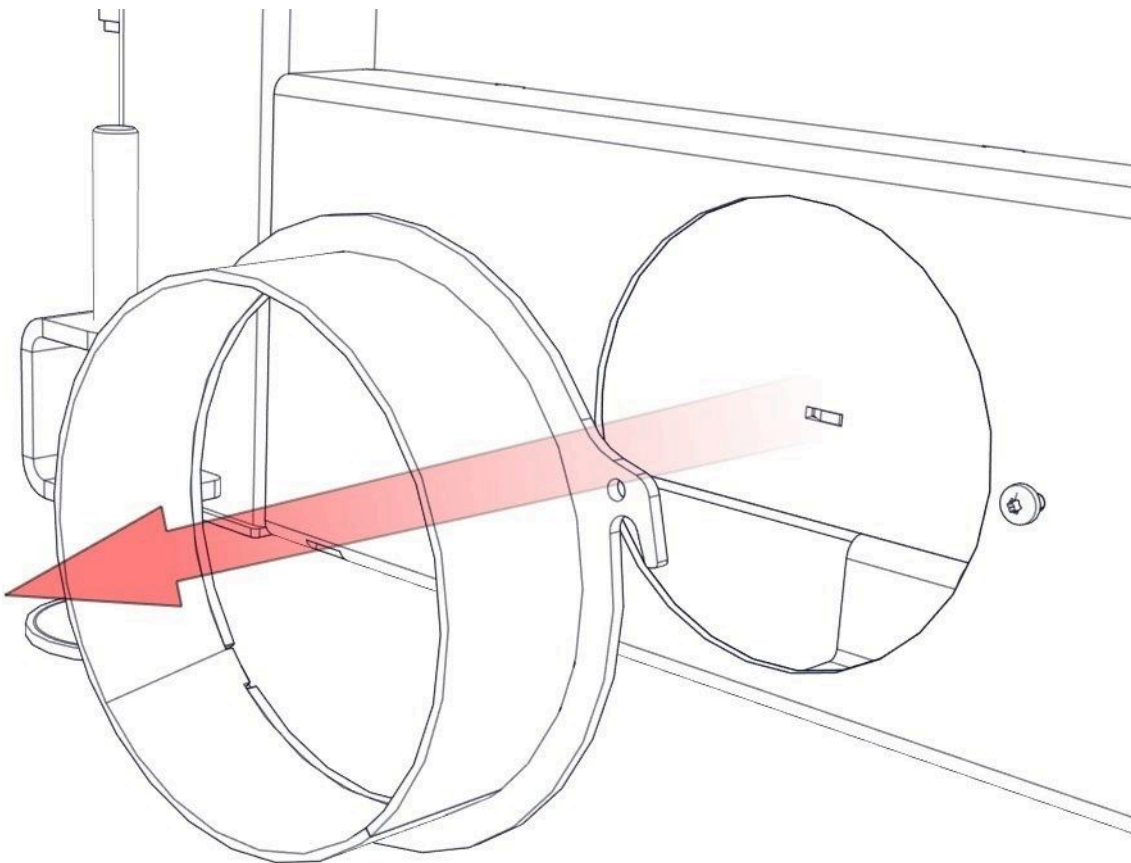
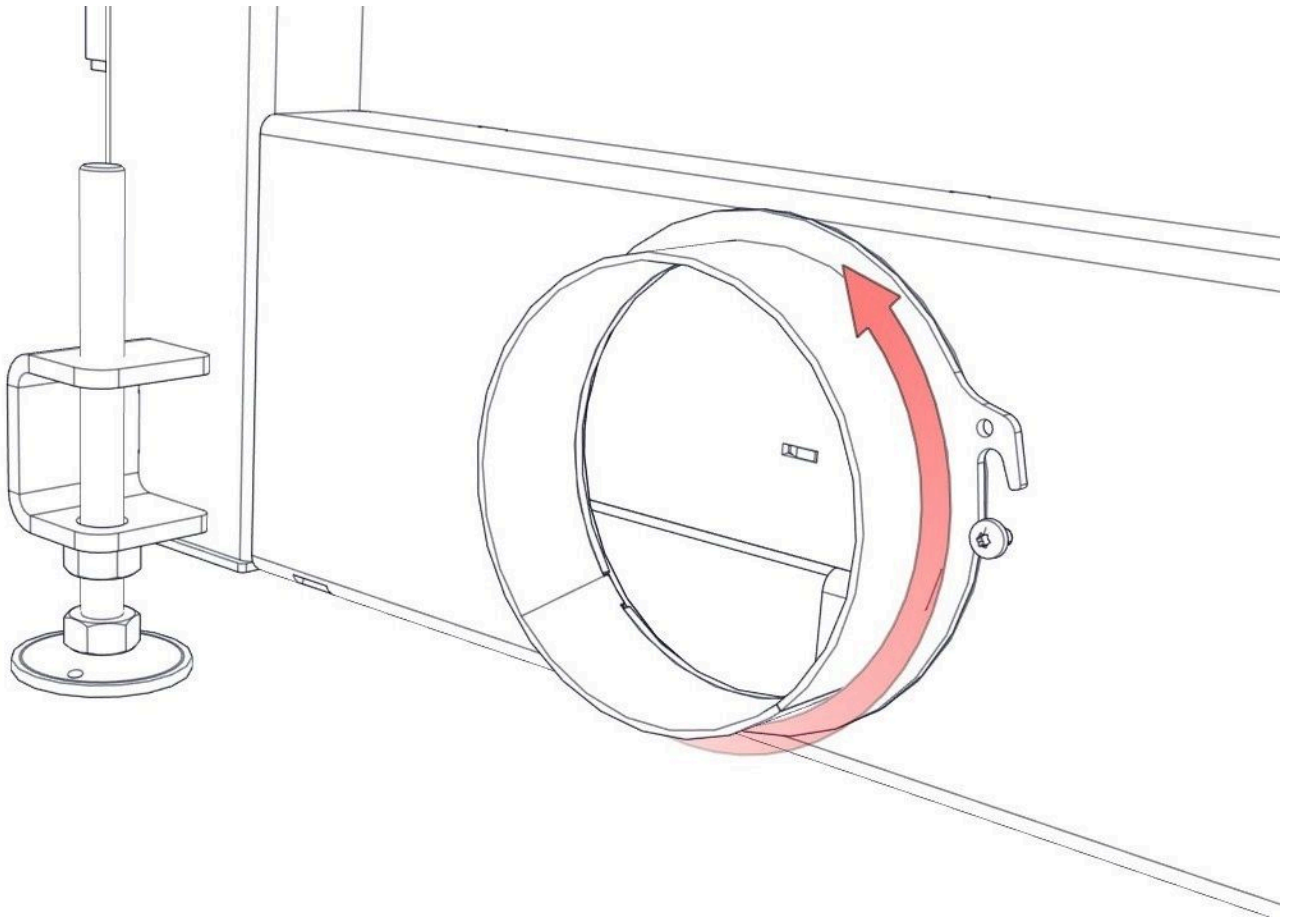




Removal of air connection nozzle: (Installation in reverse order)

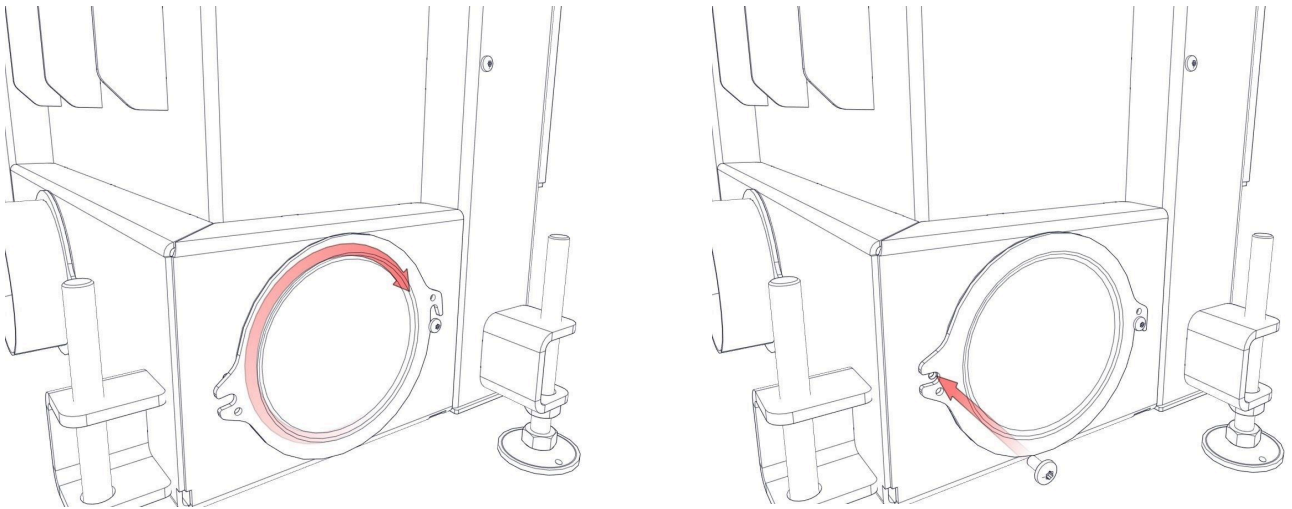


Removal of air connection nozzle: (Installation in reverse order)

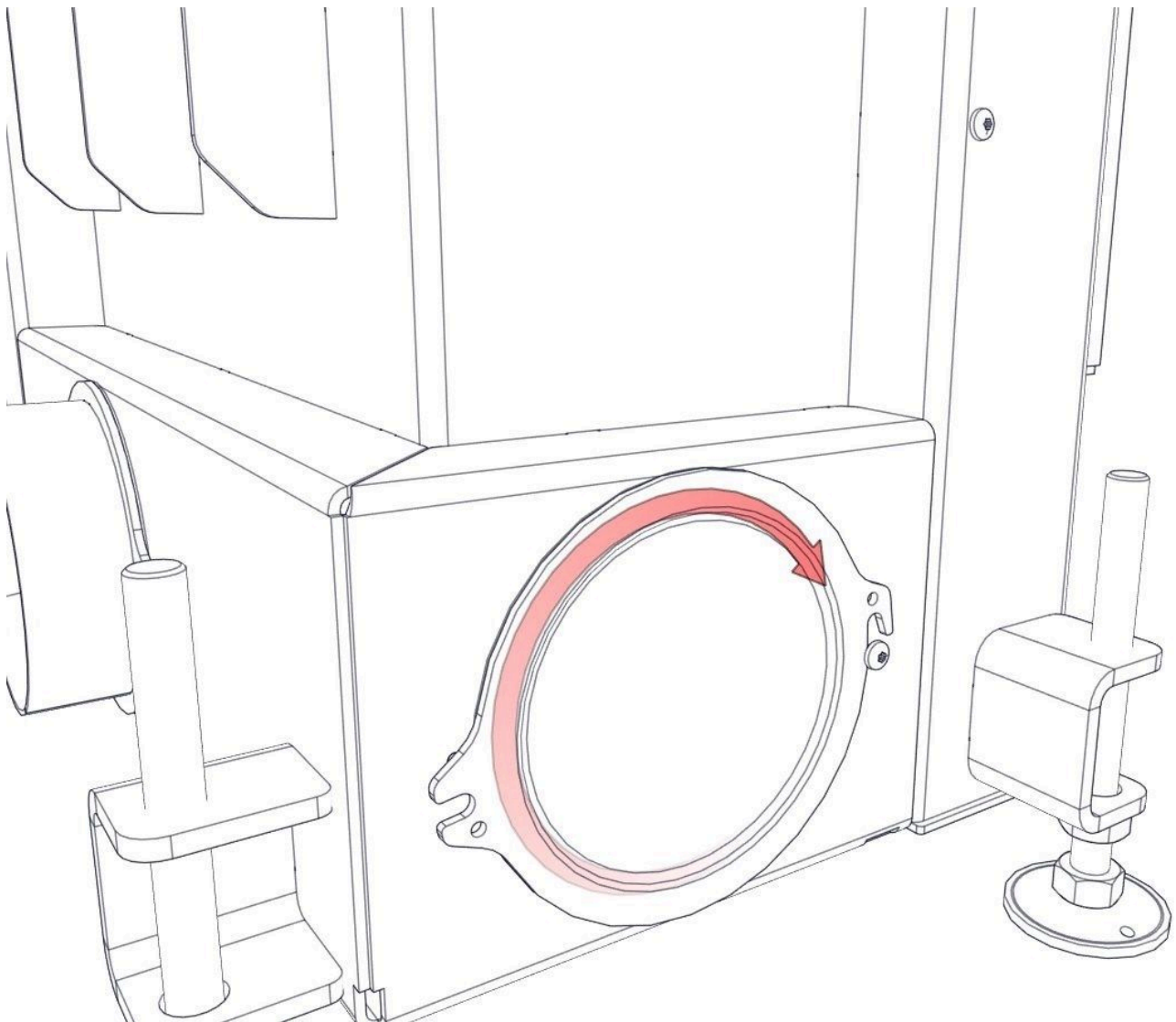


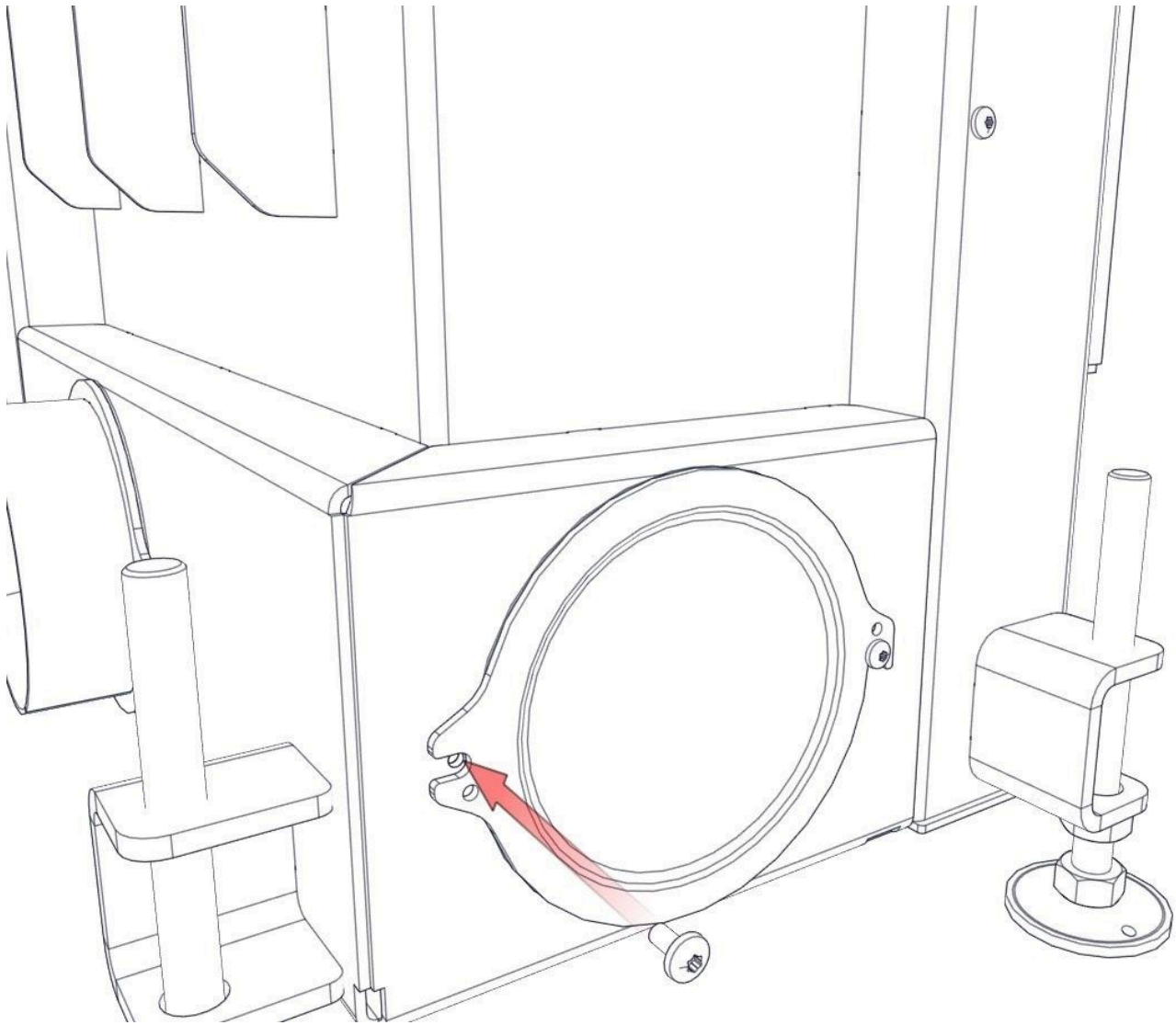


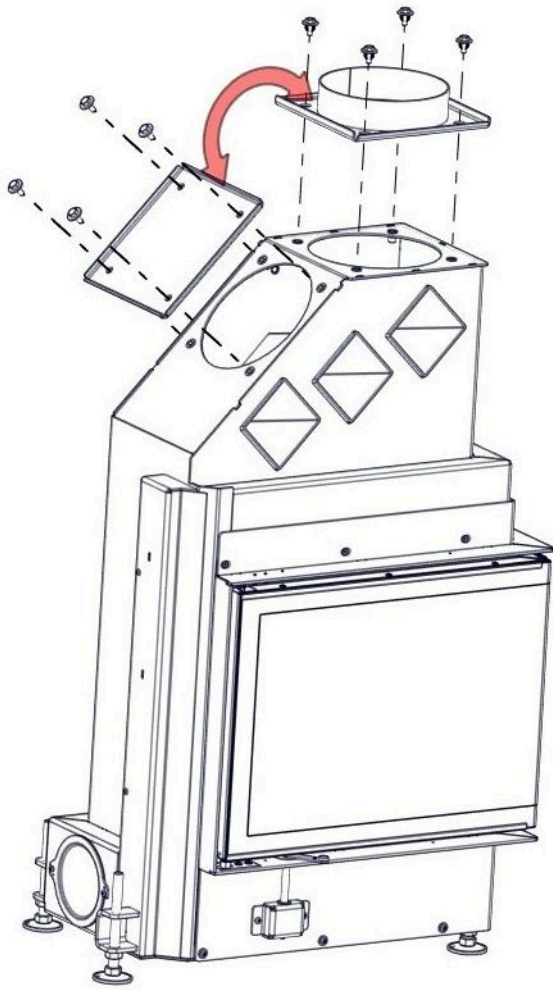
The not used positions for air connection are closed with blind covers. Installation of blind cover:

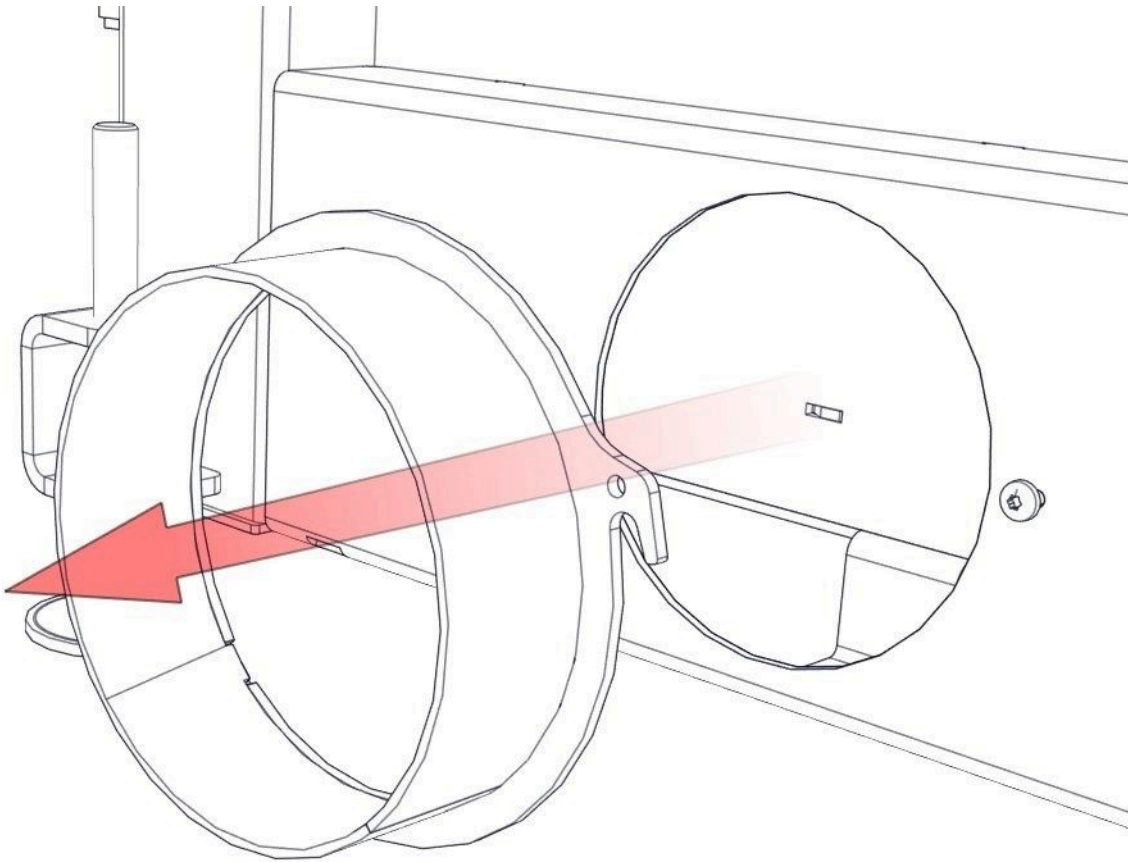


The not used positions for air connection are closed with blind covers. Installation of blind cover:

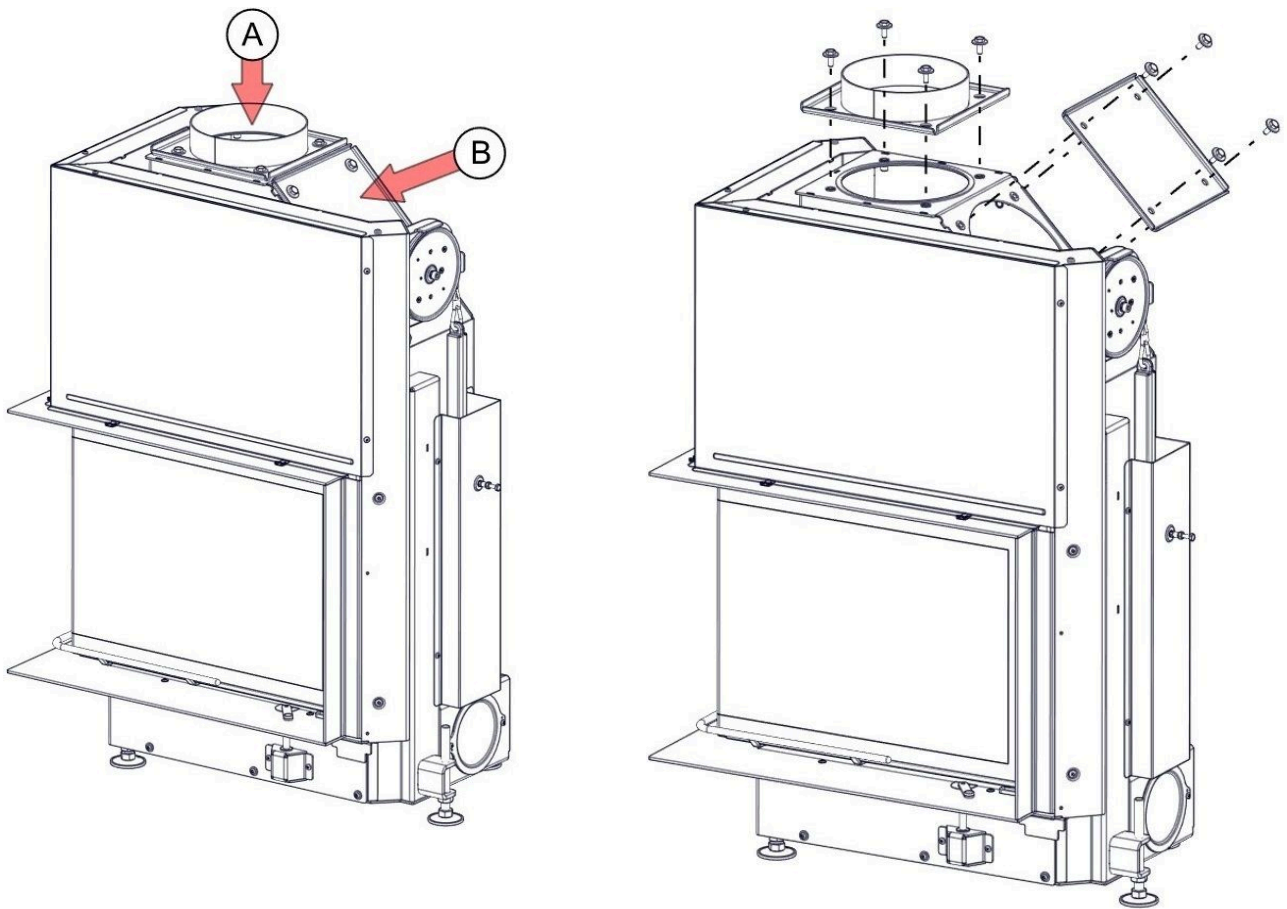




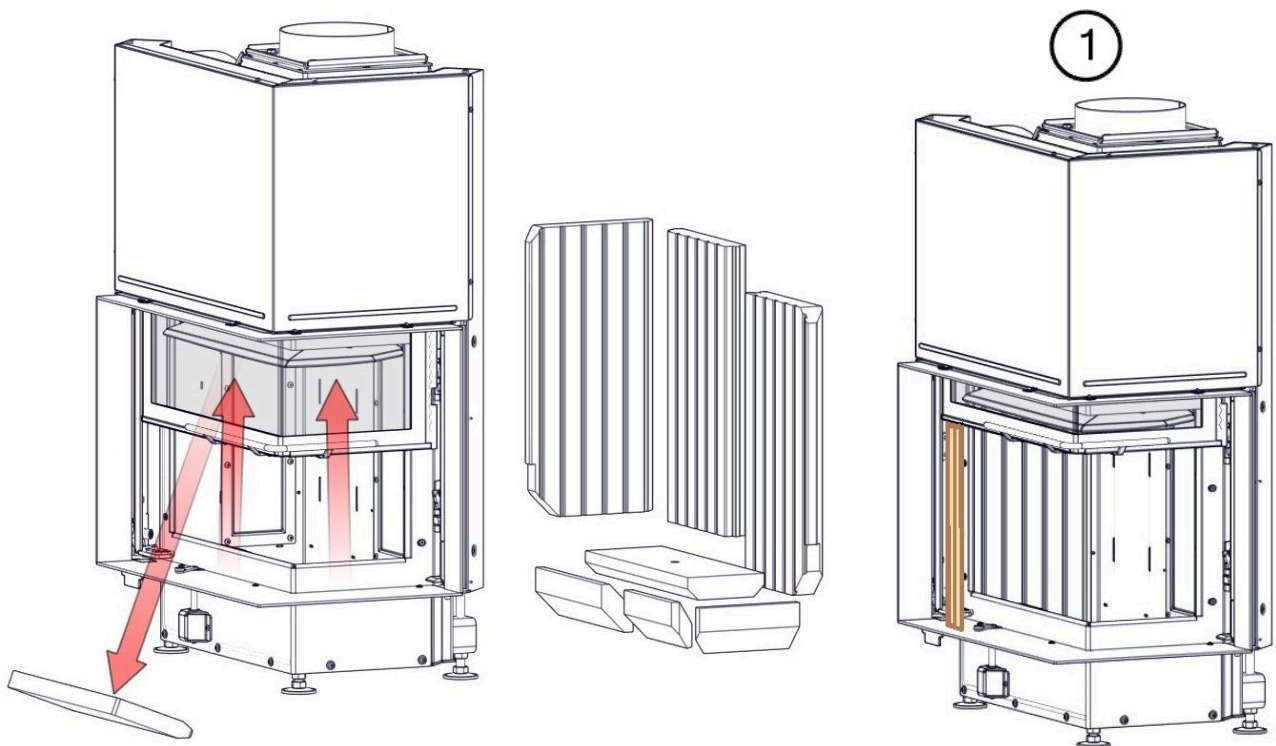


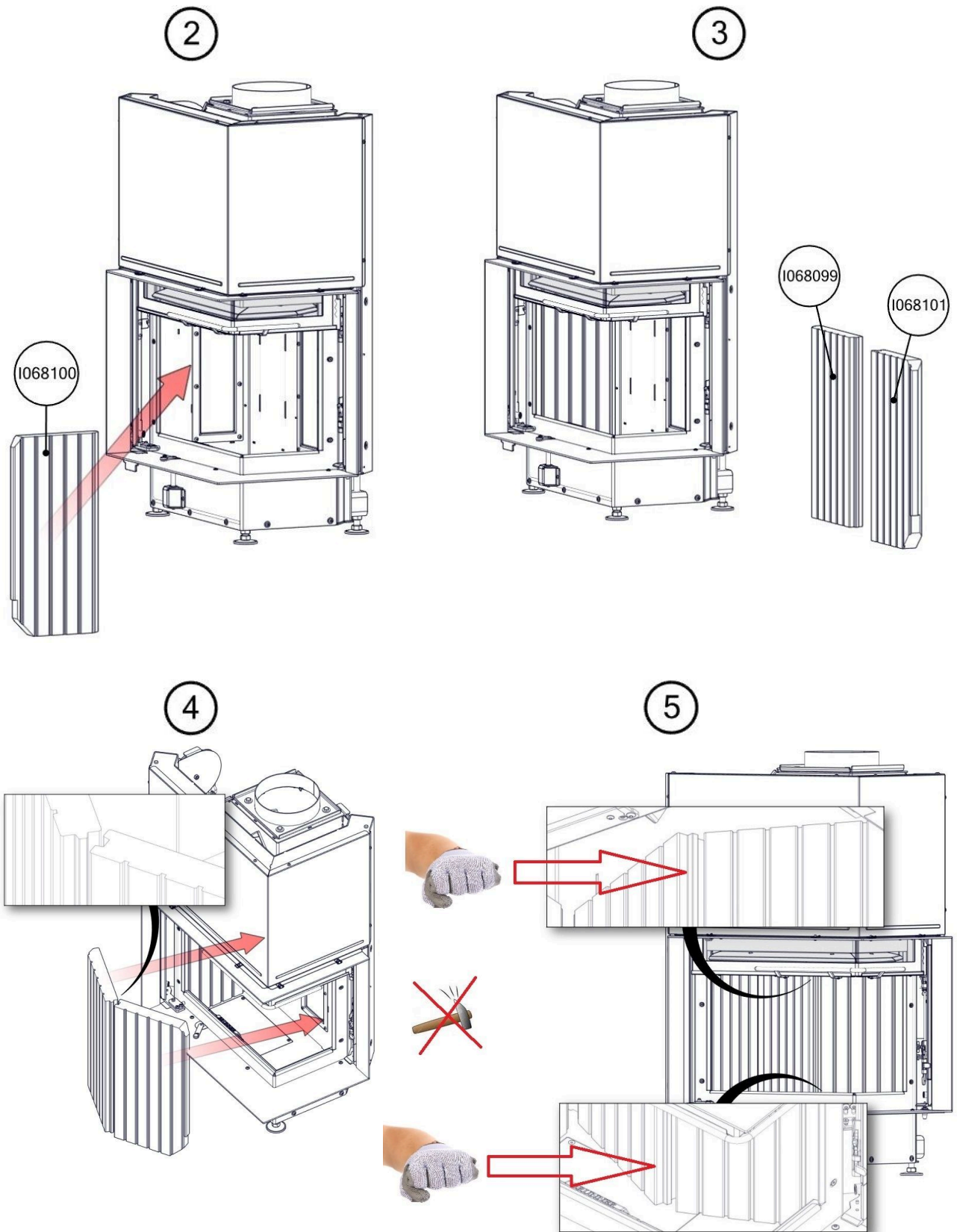
**Exhaust line connection (smoke gas outlet)**

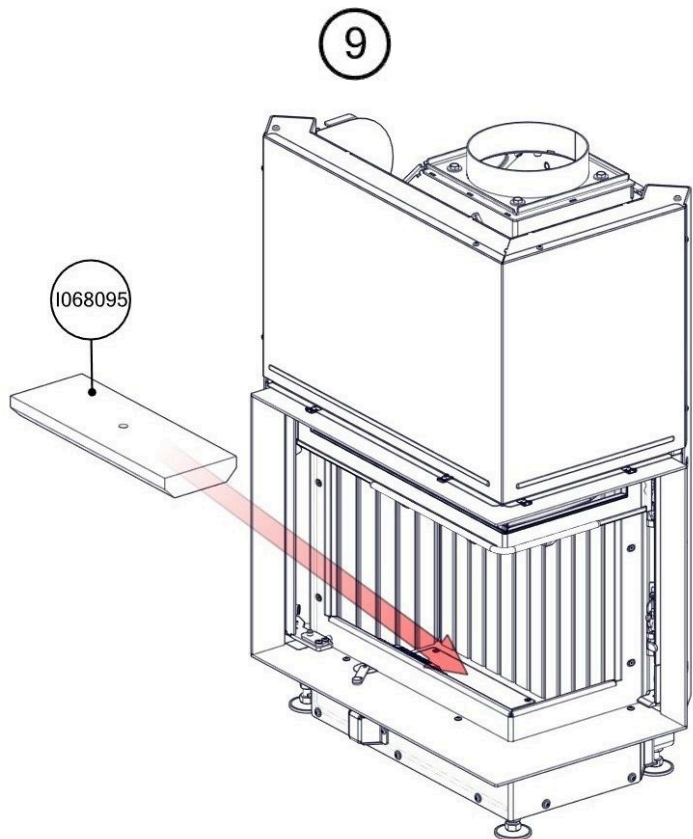
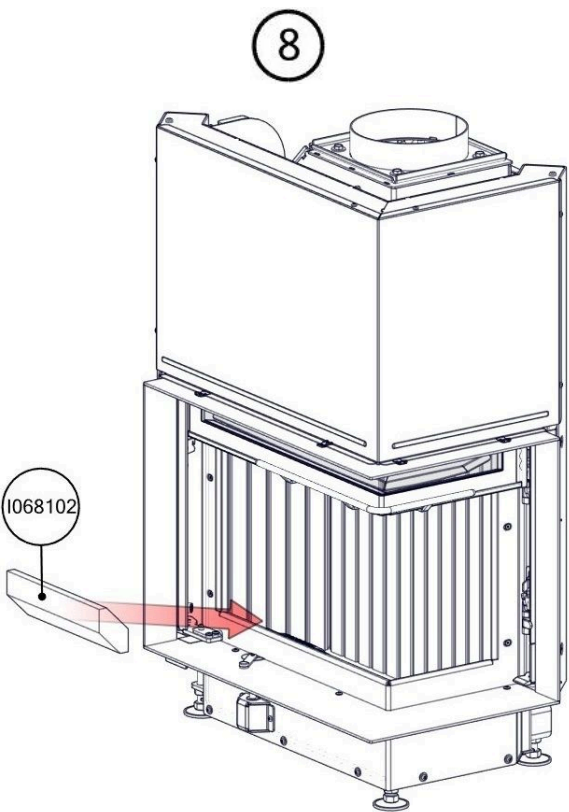
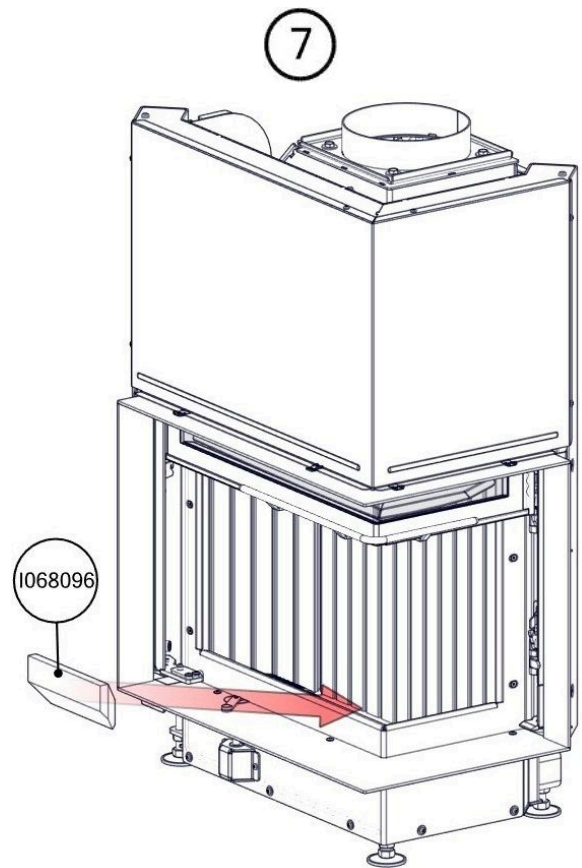
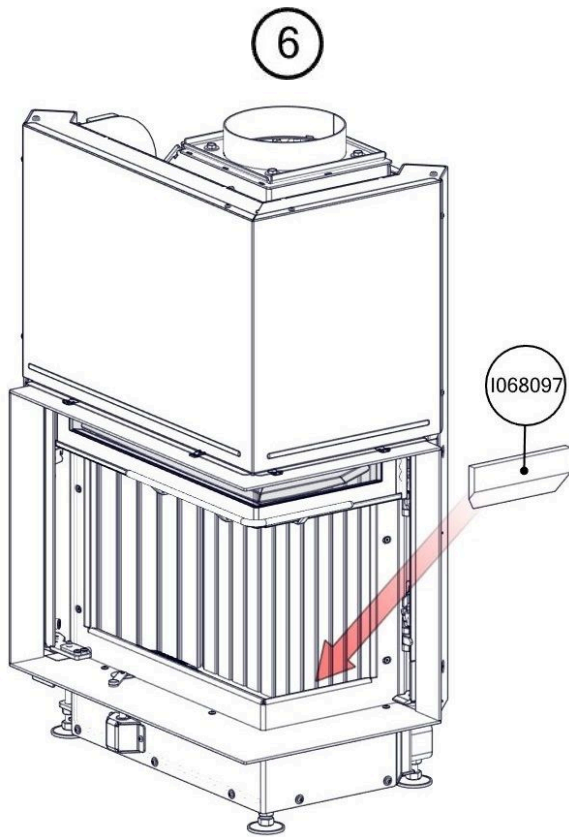
Each Corner fireplace comes as standard with an exhaust gas nozzle (200mm diameter). This can be moved from the default position at delivery (A) to the other position for exhaust line connection (B) or exchanged with the option: Smoke gas outlet Ø 180 or Ø160.



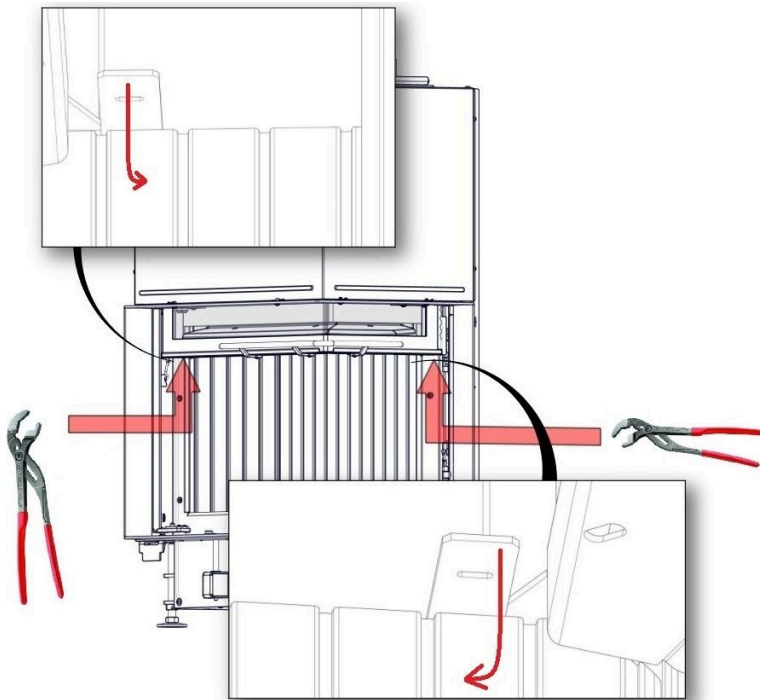
**7.3 ASSEMBLY OF INNER LININGS 42-57-30 LIFTING DOOR**



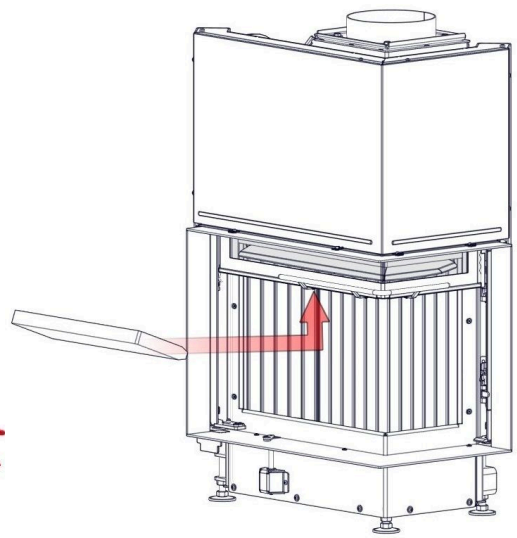




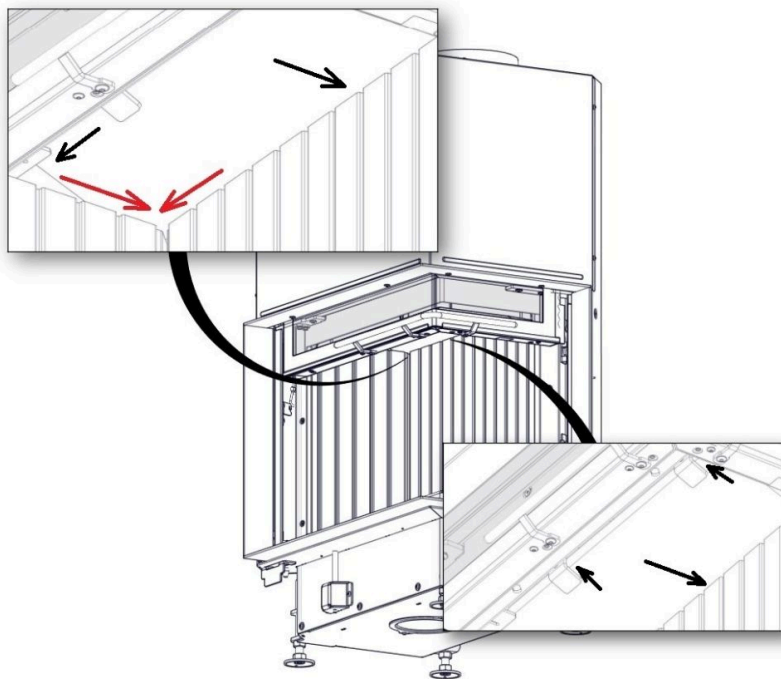
10



11



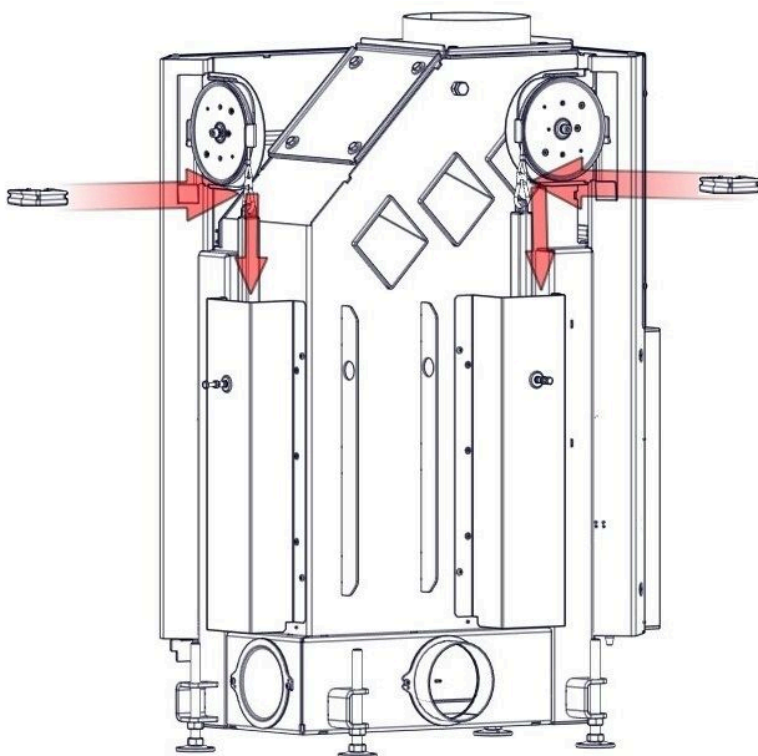
12





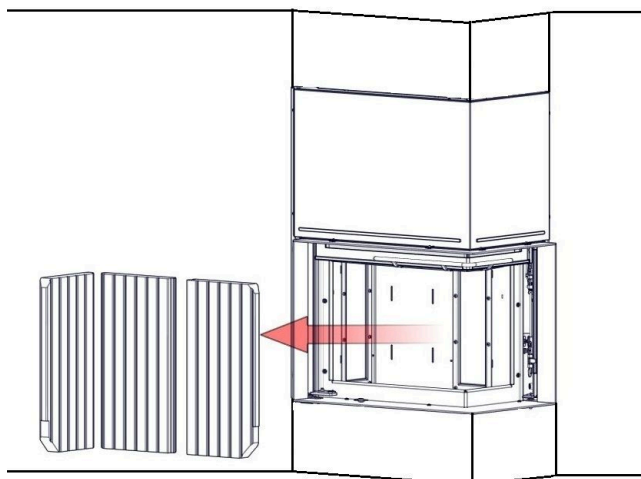
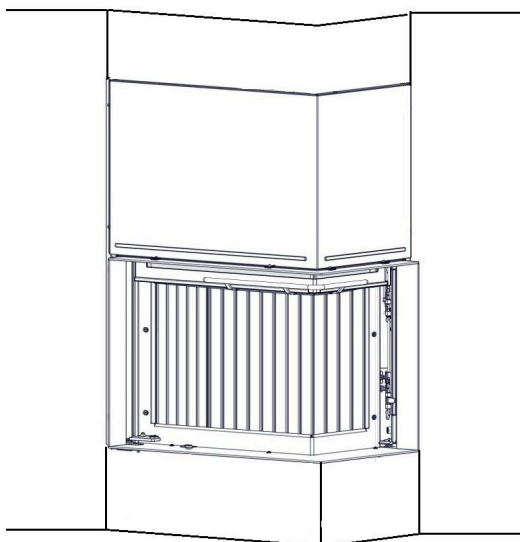
## 7.4 ADJUSTING OF SELF-CLOSING DOOR

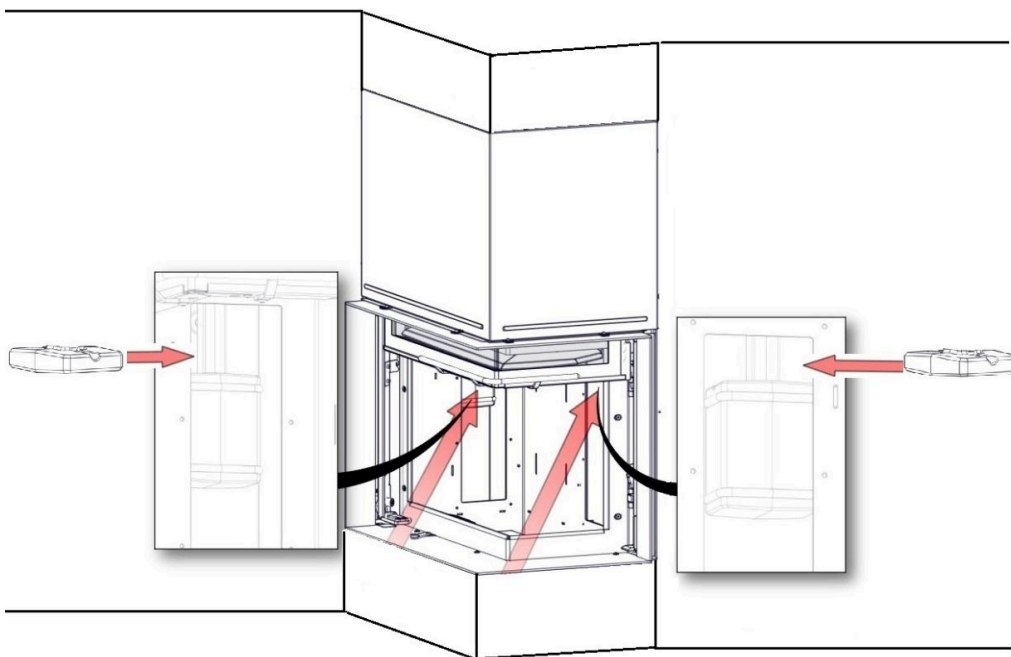
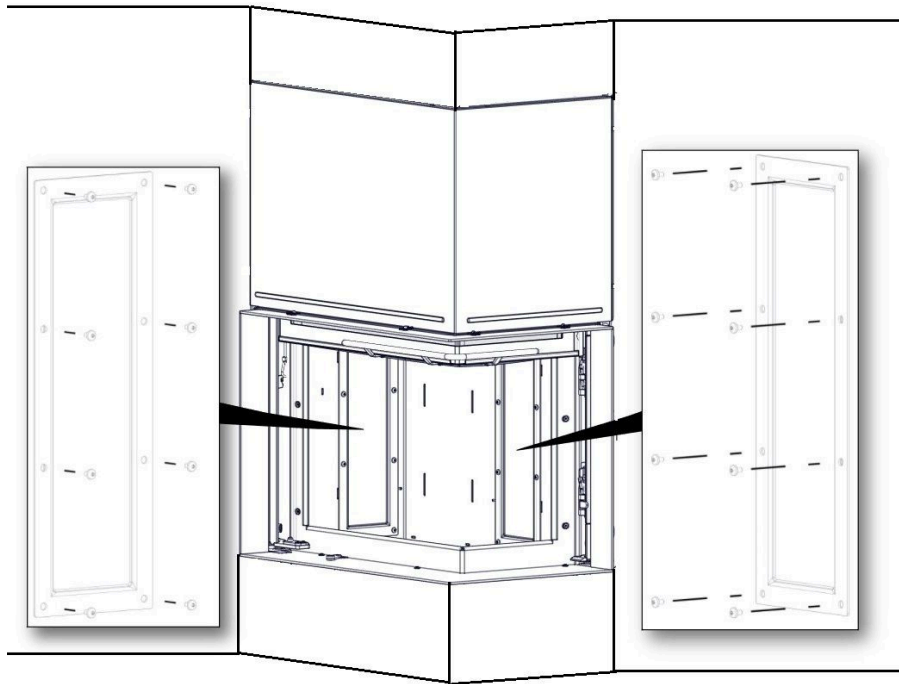
Before the fireplace is installed:



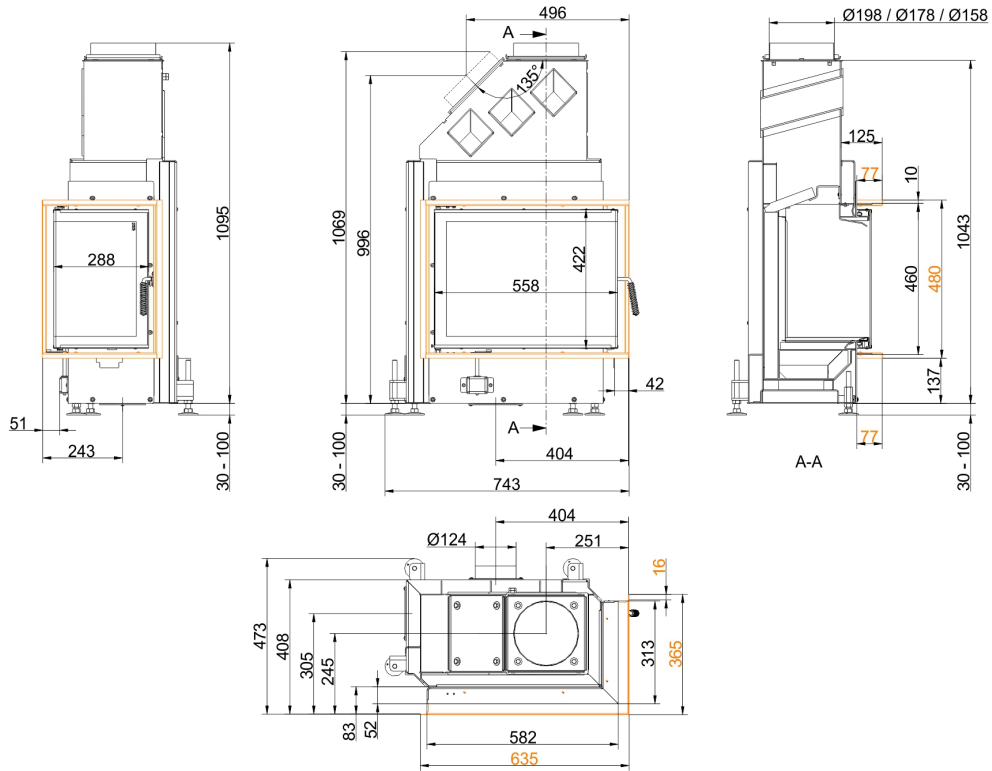
We recommend to adjust the self-closing function by using suitable counterweights **before** the fireplace is installed.

After the fireplace installation is completed:

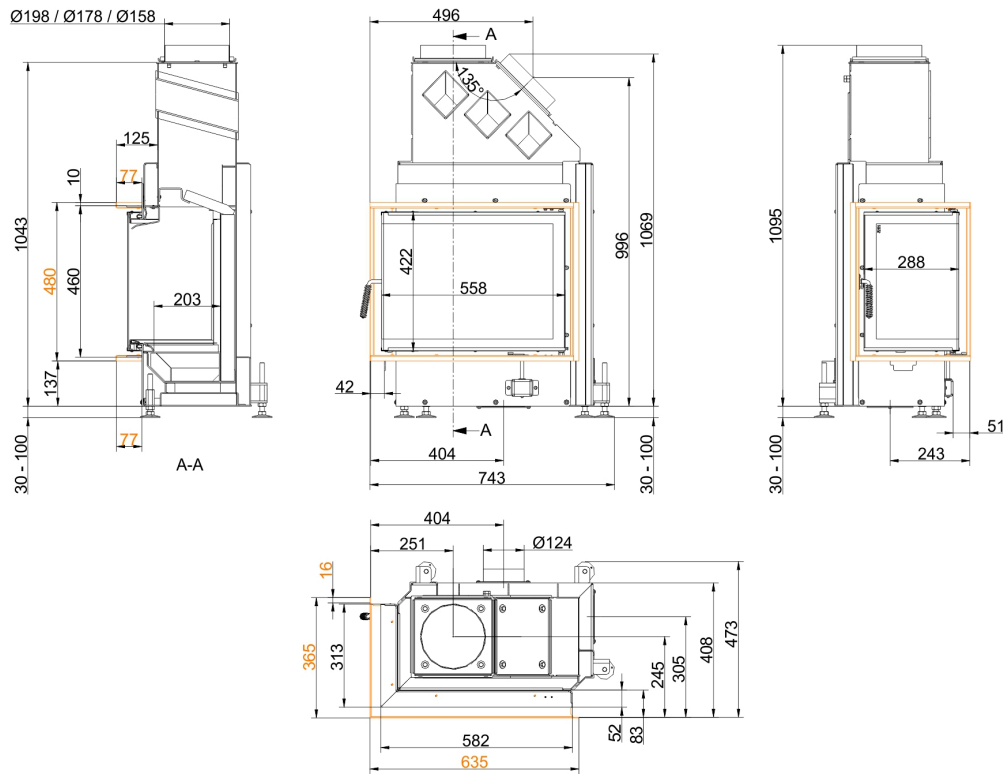




# Dimension sheets - Eck-Kamin 42/57/30 side-opening door

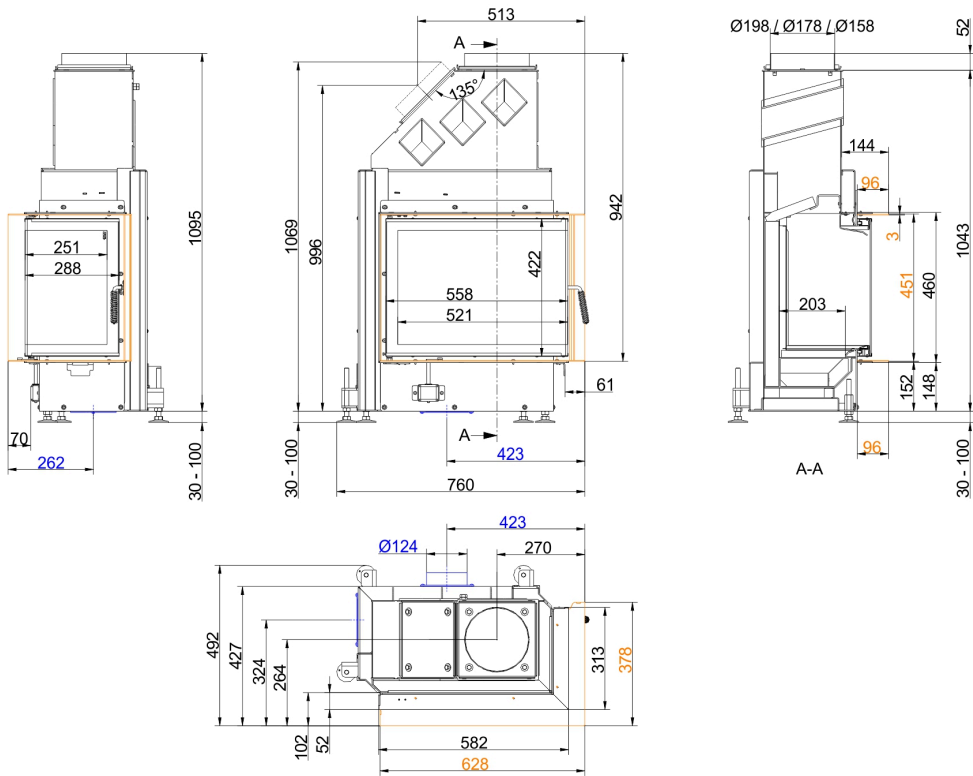


... right with door frame

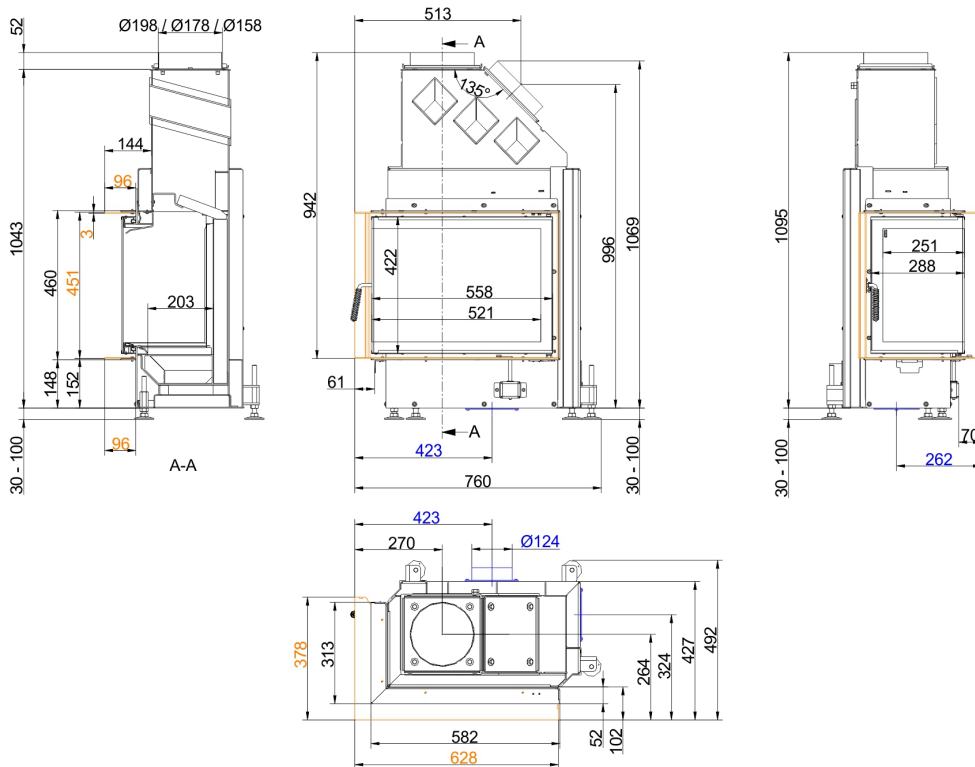


... left with door frame

# Dimension sheets - Eck-Kamin 42/57/30 side-opening door



... right with mounting frame



... left with mounting frame

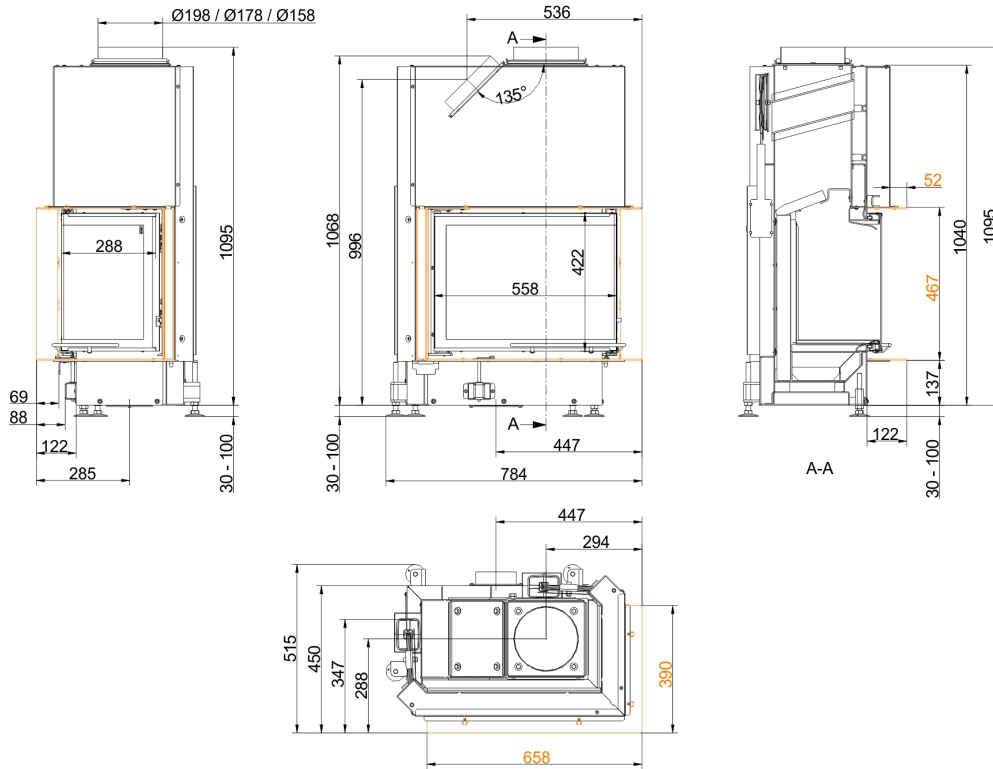
We suggest for CAD planning Palette CAD. Permanent updated drawings: [www.brunner.de](http://www.brunner.de)  
 Frames /flue gas outlet connection/ combustion air supply connection/ front variants are marked in color.

## Planning and installation - Eck-Kamin 42/57/30 side-opening door

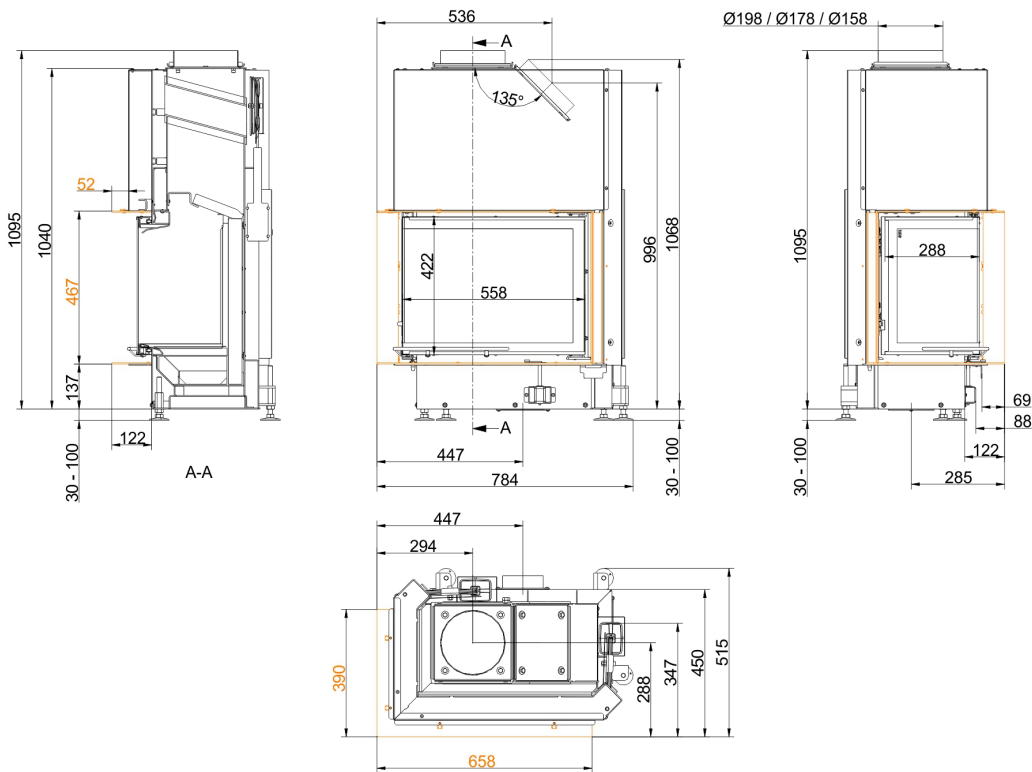
| Tested according to   |                   | EN 13229 W                                   | EN 13229 WA                     |
|---|-------------------|--|---------------------------------|
| Values measured at  |                   | Rated capacity <sup>1)</sup>                 | Storage operation <sup>2)</sup> |
| Suitable for all construction types according to rules              |                   | OK   | OK                              |
| <b>Data for functional demonstration</b>                            |                   |  |                                 |
| Rated heat power  | kW                | 7  | -                               |
| Fire wood volume  | kg/h              | 2.4  | 5                               |
| Combustion performance  | kW                | 8.5  | 22                              |
| Flue gas mass flow  | g/s               | 7  | 21                              |
| Flue gas temperature after:   |                   |  |                                 |
| metallic hot air hood   | °C                | 250  | 270                             |
| Necessary supply pressure   | Pa                | 12   | 15                              |
| Combustion air consumption  | m <sup>3</sup> /h | 24   | 50                              |
| Combustion air connection Ø   | mm                | 125  | 125                             |
| <b>Heat distribution</b>  |                   |  |                                 |
| Insert / reheating surface  | %                 | 25 / 30                                      | 25 / 30                         |
| Glass pane (single / double)  | %                 | 45 / -                                       | 45 / -                          |
| <b>Cross-section of gratings <sup>3)</sup></b>                      |                   |  |                                 |
| Convection air  | cm <sup>2</sup>   | 800 / 100 / -                                | 800 / 100 / -                   |
| Supply air  | cm <sup>2</sup>   | 800 / 100 / -                                | 800 / 100 / -                   |
| <b>Minimal oven surface for closed construction type</b>            |                   |  |                                 |
| Heat dissipating surface  | m <sup>2</sup>    | 3.5  | 3.5                             |
| <b>Minimal distances of the fireplace</b>                           |                   |  |                                 |
| to cladding, insulation layer                                       | cm                | 6  | 6                               |
| to mounting floor   | cm                | 4  | 4                               |
| <b>Thermal insulation without / with air gratings <sup>4)</sup></b> |                   |  |                                 |
| Mounting wall   | cm                | 14 / 12                                      | 14 / 12                         |
| Floor   | cm                | 2 / 2  | 2 / 2                           |
| Ceiling   | cm                | 16 / 14                                      | 16 / 14                         |
| Brick lining for combustible wall                                   | cm                | 10   | 10                              |
| <b>Weight</b>   |                   |  |                                 |
| Fireplace / combustion chamber                                      | kg                | 99 / 37                                      |                                 |
| <b>Meets requirement/limit values for:</b>                          |                   |  |                                 |
| Germany/ Austria / Switzerland / Norway                             |                   | 1.BImSchV (Stufe 2) / 15a BVG (2015) / - / - |                                 |

- 1) Indications to "Rated power" determined with metallic reheating surface
- 2) Indications to "Storage operation" for the manual execution of the reheating surface (reference values for the specialist)
- 3) for fireplace inserts / flue gas pipe / metallic reheating surface
- 4) Values determined with upper air cross-sections; stove cladding is heat emitting.

# Dimension sheets - Eck-Kamin 42/57/30 lifting door (easy-lift)

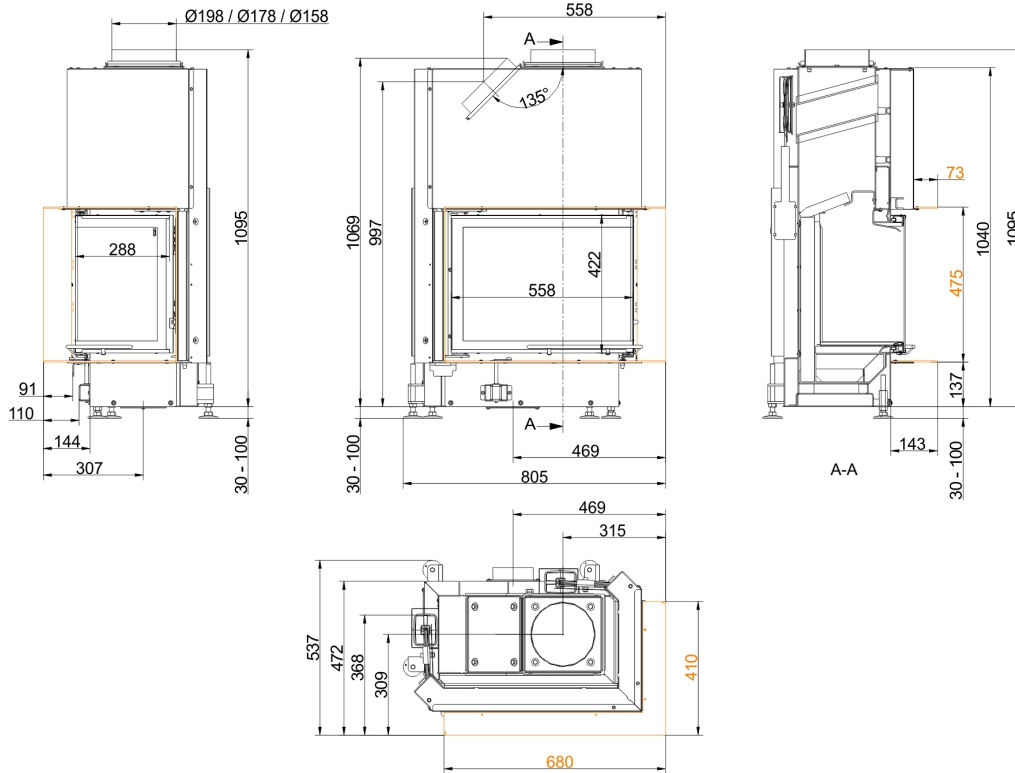


... right with mounting frame 50 mm

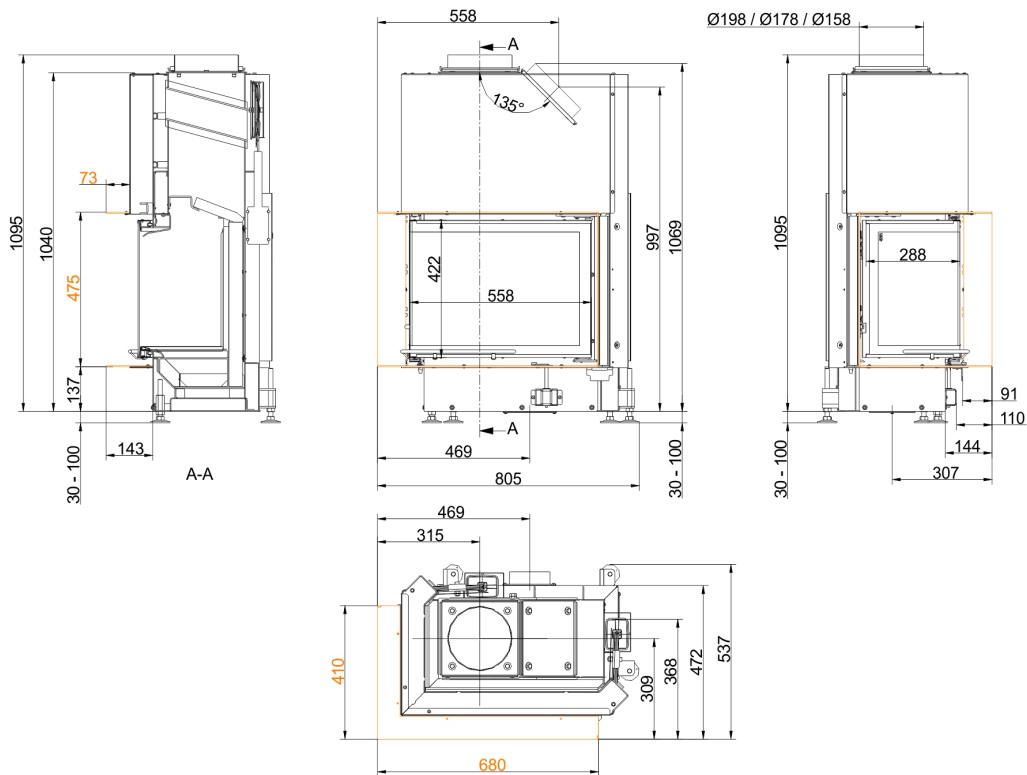


... left with mounting frame 50 mm

# Dimension sheets - Eck-Kamin 42/57/30 lifting door (easy-lift)



... right with mounting frame 70 mm



... left with mounting frame 70 mm

We suggest for CAD planning Palette CAD. Permanent updated drawings: [www.brunner.de](http://www.brunner.de)  
 Frames /flue gas outlet connection/ combustion air supply connection/ front variants are marked in color.

## Planning and installation - Eck-Kamin 42/57/30 lifting door (easy-lift)

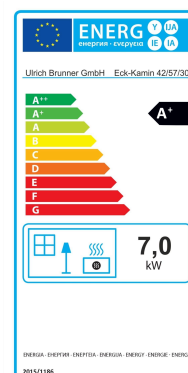
| Tested according to   |                   | EN 13229 W                                   | EN 13229 WA                     |
|---|-------------------|--|---------------------------------|
| Values measured at  |                   | Rated capacity <sup>1)</sup>                 | Storage operation <sup>2)</sup> |
| Suitable for all construction types according to rules              |                   | OK   | OK                              |
| <b>Data for functional demonstration</b>                            |                   |  |                                 |
| Rated heat power  | kW                | 7  | -                               |
| Fire wood volume  | kg/h              | 2.4  | 5                               |
| Combustion performance  | kW                | 8.5  | 22                              |
| Flue gas mass flow  | g/s               | 7  | 21                              |
| Flue gas temperature after:   |                   |  |                                 |
| metallic hot air hood   | °C                | 250  | 270                             |
| Necessary supply pressure   | Pa                | 12   | 15                              |
| Combustion air consumption  | m <sup>3</sup> /h | 24   | 50                              |
| Combustion air connection Ø   | mm                | 125  | 125                             |
| <b>Heat distribution</b>  |                   |  |                                 |
| Insert / reheating surface  | %                 | 25 / 30                                      | 25 / 30                         |
| Glass pane (single / double)  | %                 | 45 / -                                       | 45 / -                          |
| <b>Cross-section of gratings <sup>3)</sup></b>                      |                   |  |                                 |
| Convection air  | cm <sup>2</sup>   | 800 / 100 / -                                | 800 / 100 / -                   |
| Supply air  | cm <sup>2</sup>   | 800 / 100 / -                                | 800 / 100 / -                   |
| <b>Minimal oven surface for closed construction type</b>            |                   |  |                                 |
| Heat dissipating surface  | m <sup>2</sup>    | 3.5  | 3.5                             |
| <b>Minimal distances of the fireplace</b>                           |                   |  |                                 |
| to cladding, insulation layer                                       | cm                | 6  | 6                               |
| to mounting floor   | cm                | 4  | 4                               |
| <b>Thermal insulation without / with air gratings <sup>4)</sup></b> |                   |  |                                 |
| Mounting wall   | cm                | 14 / 12                                      | 14 / 12                         |
| Floor   | cm                | 2 / 2  | 2 / 2                           |
| Ceiling   | cm                | 16 / 14                                      | 16 / 14                         |
| Brick lining for combustible wall                                   | cm                | 10   | 10                              |
| <b>Weight</b>   |                   |  |                                 |
| Fireplace / combustion chamber                                      | kg                | 148 / 37                                     |                                 |
| <b>Meets requirement/limit values for:</b>                          |                   |  |                                 |
| Germany/ Austria / Switzerland / Norway                             |                   | 1.BImSchV (Stufe 2) / 15a BVG (2015) / - / - |                                 |

- 1) Indications to "Rated power" determined with metallic reheating surface
- 2) Indications to "Storage operation" for the manual execution of the reheating surface (reference values for the specialist)
- 3) for fireplace inserts / flue gas pipe / metallic reheating surface
- 4) Values determined with upper air cross-sections; stove cladding is heat emitting.



**Product data sheet according to (EU) 2015/1186:**

|   |                     |
|---|---------------------|
| Supplier's name or trademark                            | Ulrich Brunner GmbH |
| Model identifier:                                       | Eck-Kamin 42/57/30  |
| Energy efficiency class:                                | A+                  |
| Direct heat output:                                     | 7,0 kW              |
| Indirect heat output:                                   | N.A. kW             |
| Energy efficiency index:                                | 108                 |
| Fuel energy efficiency (at nominal heat output):        | 82,0 %              |
| Fuel energy efficiency (at minimum load):               | N.A. %              |
| Special precautions: see supplied product documentation |                     |



Ulrich Brunner GmbH  
Zellhuber Ring 17-18  
D-84307 Eggenfelden  
Tel.: +49 (0) 8721/771-0 / Fax: +49 (0) 8721/771-100  
Email: info@brunner.de

Technical and assortment changes as well as errors and misprints reserved.  
Reprinting and reproduction, even in part, only with the express permission of the publisher.

Art.Nr.: 202021