

FIREPLACE INSERTS FROM BRUNNER



Eck-Kamin 42/57/30

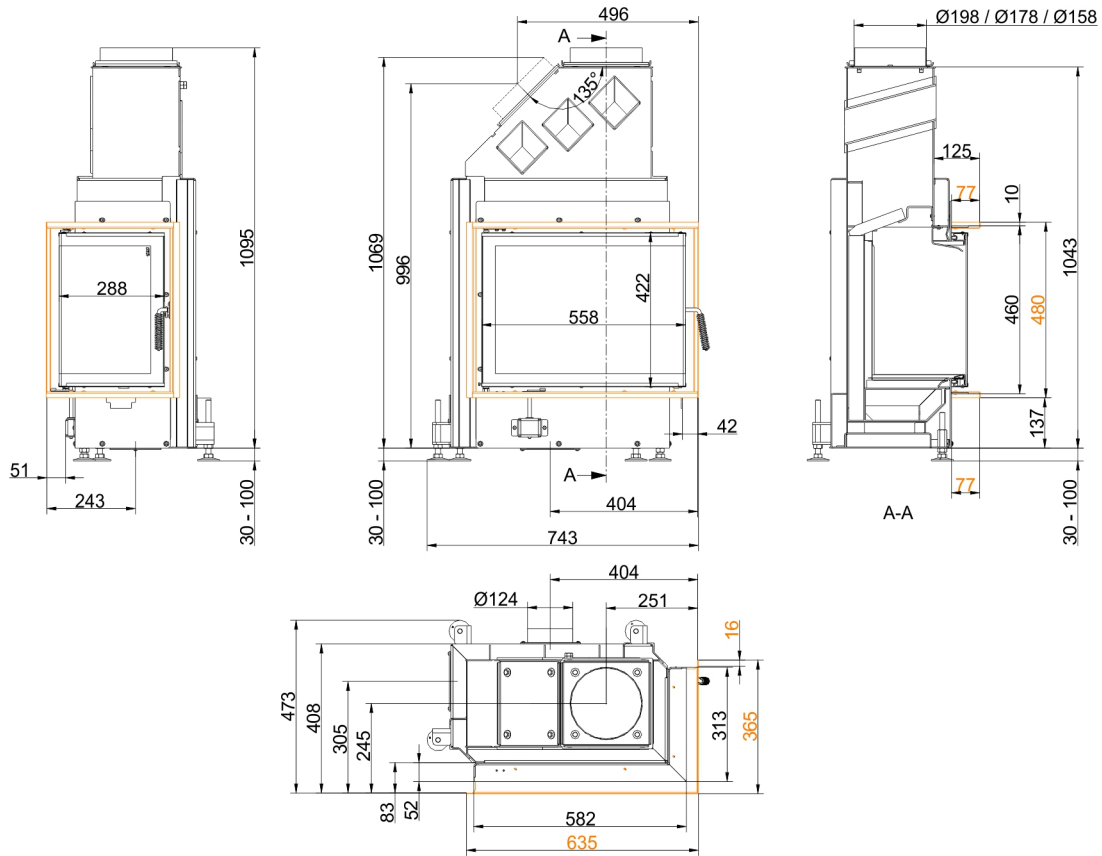
side-opening door

State: 2023-08-21

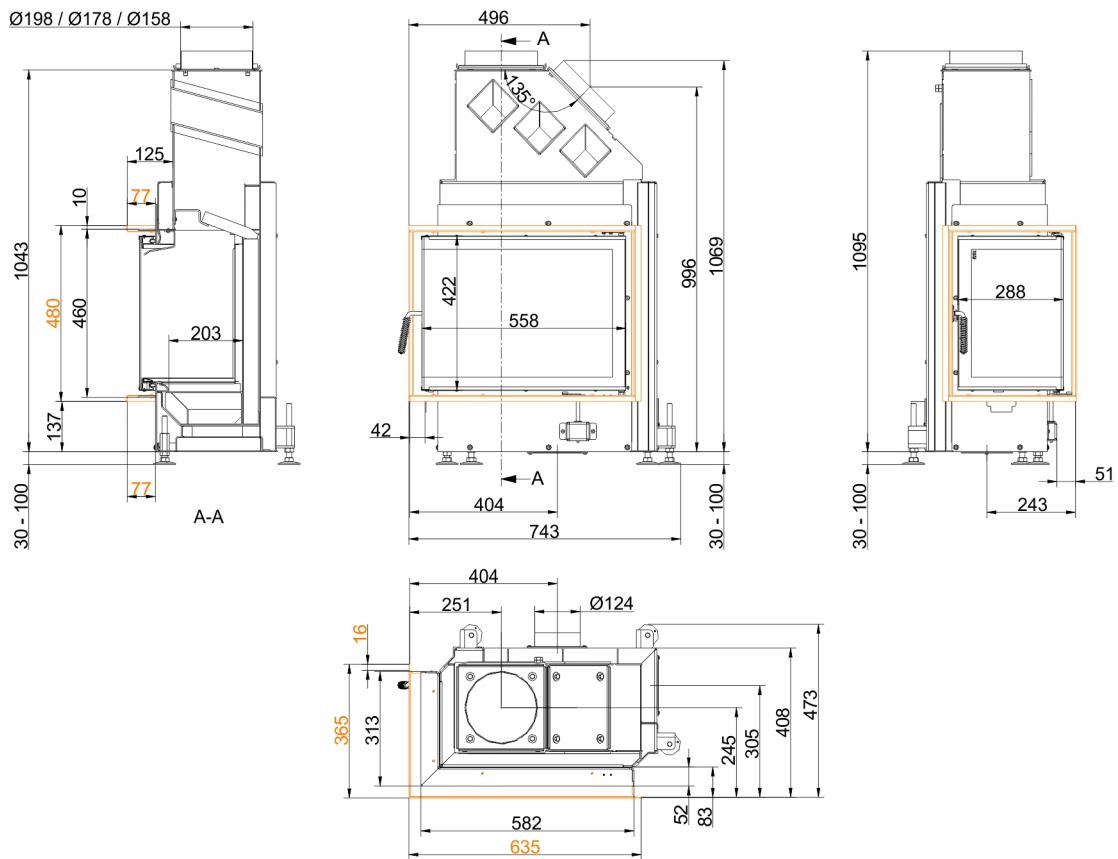


BRUNNER[®]
made in germany.

Dimension sheets - Eck-Kamin 42/57/30 side-opening door

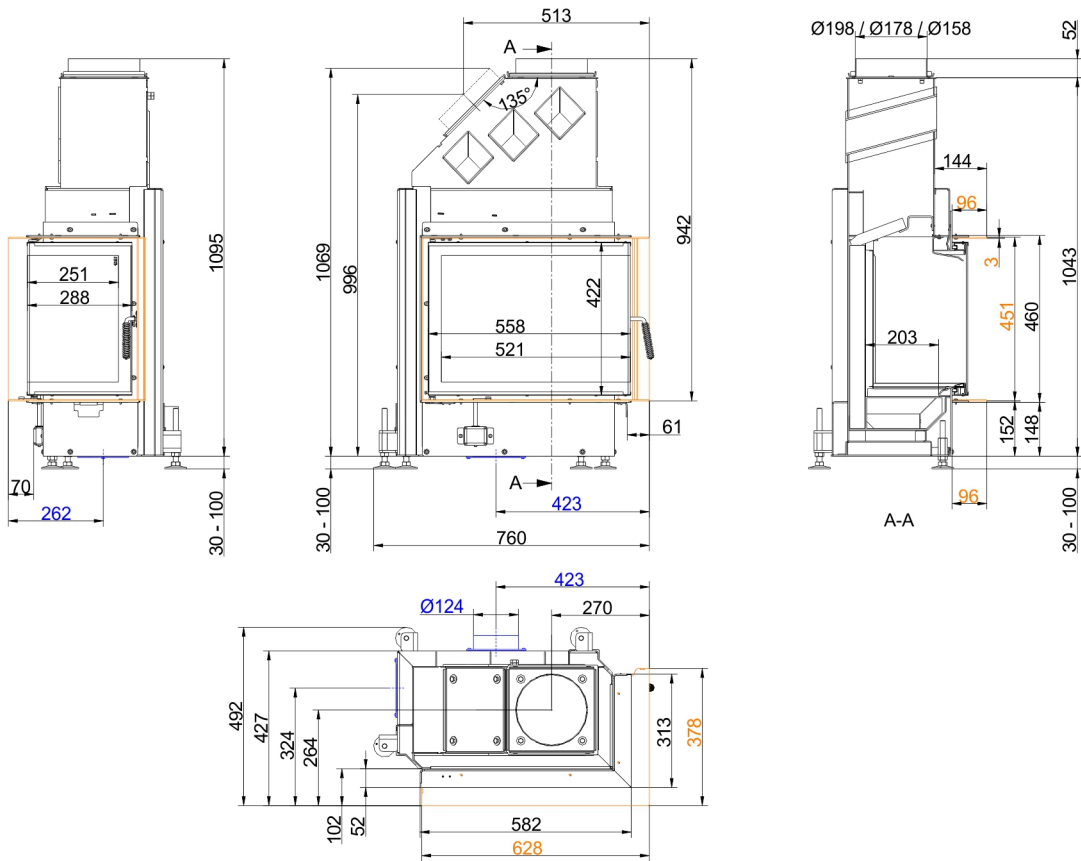


... right with door frame

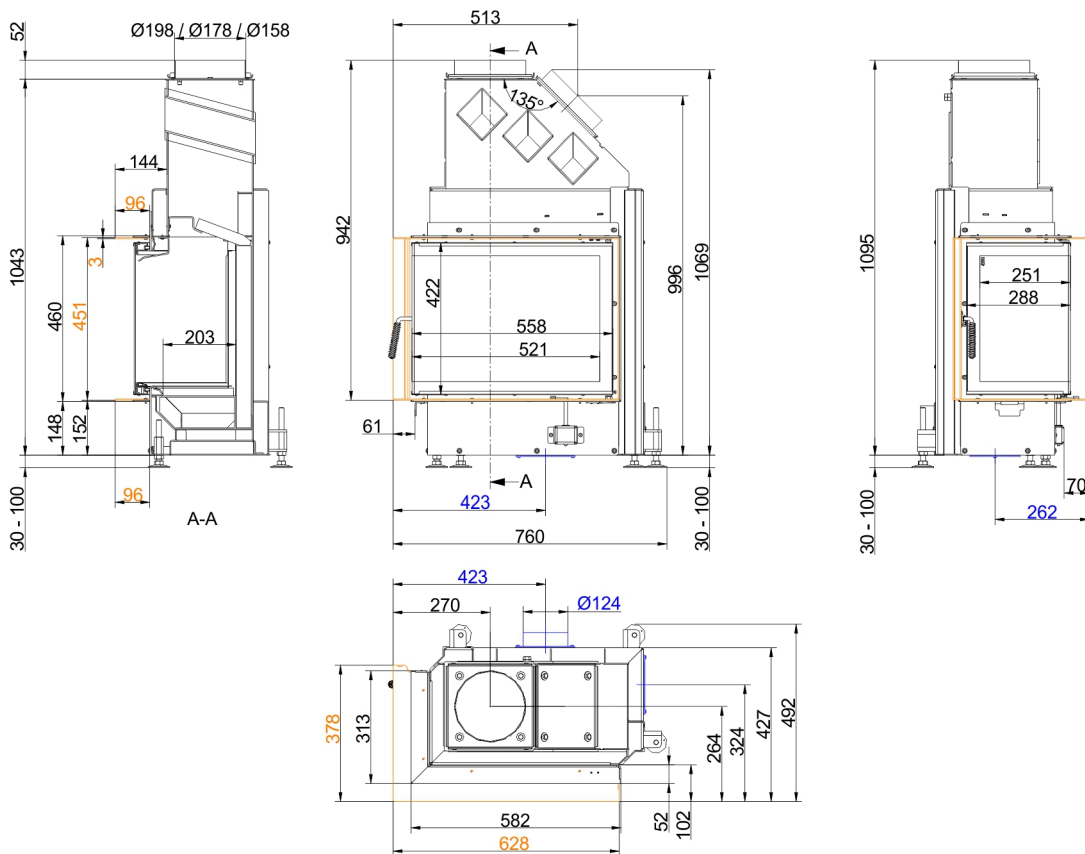


... left with door frame

Dimension sheets - Eck-Kamin 42/57/30 side-opening door



... right with mounting frame



... left with mounting frame

We suggest for CAD planning Palette CAD. Permanent updated drawings: www.brunner.de

Frames/ flue gas outlet connection/ combustion air supply connection/ front variants/ support bearing are marked in color.

Planning and installation - Eck-Kamin 42/57/30 side-opening door

Tested according to		EN 13229 W	EN 13229 WA
Values measured at		Rated power ¹⁾	Storage operation ²⁾
Suitable for all construction types according to rules		OK	OK
Data for functional demonstration			
Rated heat power	kW	7	-
Fire wood volume	kg/h	2.4	5
Combustion performance	kW	8.5	22
Flue gas mass flow	g/s	7	21
Flue gas temperature after:			
metallic hot air hood	°C	250	270
Necessary supply pressure	Pa	12	15
Combustion air consumption	m ³ /h	24	50
Combustion air connection Ø	mm	125	125
Heat distribution			
Insert / reheating surface	%	25 / 30	25 / 30
Glass pane (single / double)	%	45 / -	45 / -
Cross-section of gratings ³⁾			
Convection air	cm ²	800 / 100 / -	800 / 100 / -
Supply air	cm ²	800 / 100 / -	800 / 100 / -
Minimal oven surface for closed construction type			
Heat dissipating surface	m ²	3.5	3.5
Minimal distances of the fireplace			
to cladding, insulation layer	cm	6	6
to mounting floor	cm	4	4
Thermal insulation without / with air gratings ⁴⁾			
Mounting wall	cm	14 / 12	14 / 12
Floor	cm	2 / 2	2 / 2
Ceiling	cm	16 / 14	16 / 14
Brick lining for combustible wall	cm	10	10
Weight			
Fireplace / combustion chamber	kg	99 / 37	
Meets requirement/limit values for:			
Germany/ Austria / Switzerland / Norway		1.BImSchV (Stufe 2) / 15a BVG (2015) / - / -	

- 1) Indications to "Rated power" determined with metallic reheating surface
- 2) Indications to "Storage operation" for the manual execution of the reheating surface (guide values).
- 3) for fireplace inserts / flue gas pipe / metallic reheating surface
- 4) Values determined with upper air cross-sections; stove cladding is heat emitting.