

FIREPLACE INSERTS FROM BRUNNER



Eck-Kamin 42/57/30

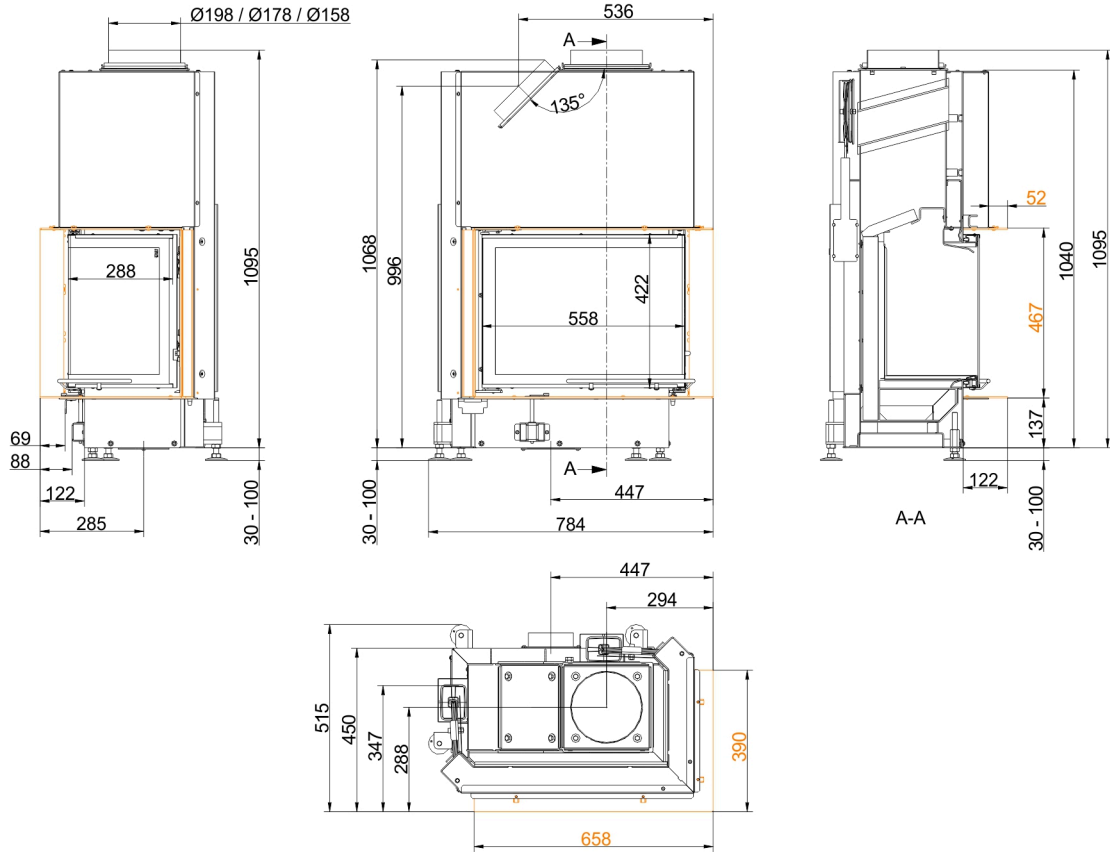
lifting door

State: 2023-08-21

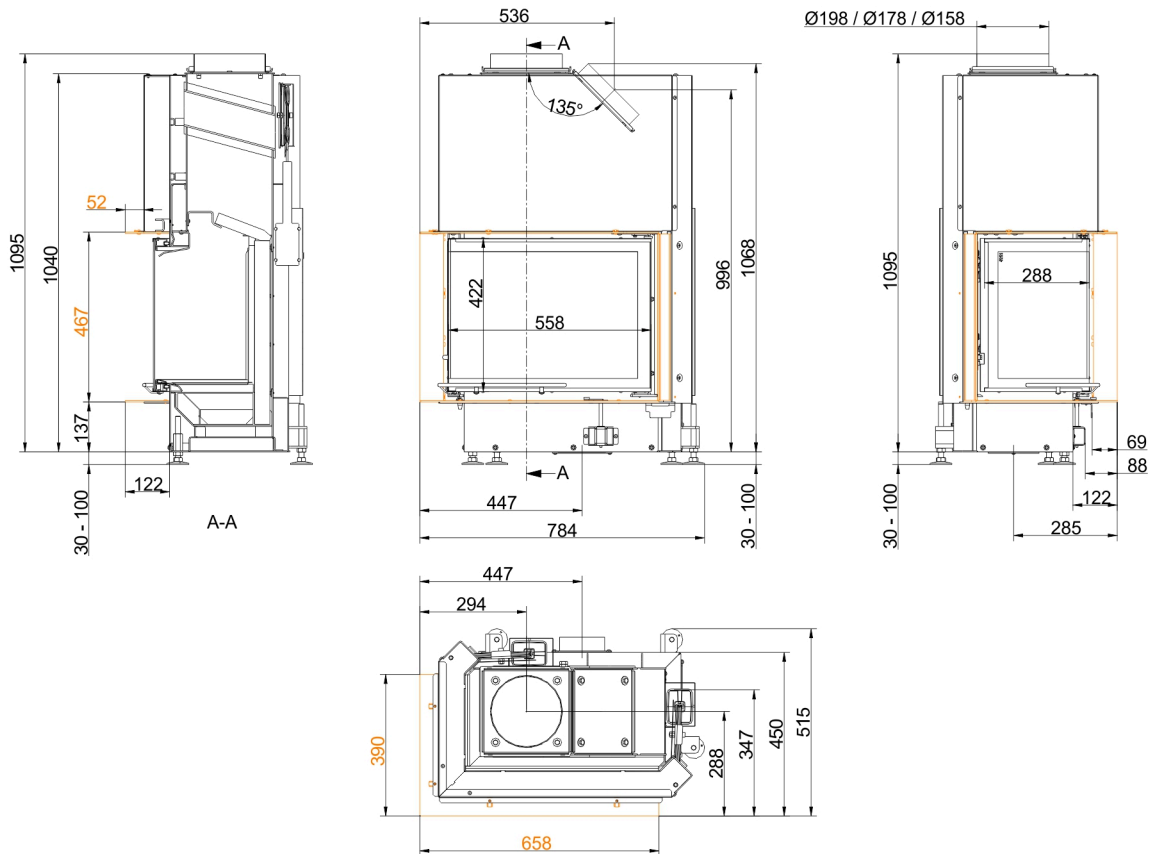


BRUNNER[®]
made in germany.

Dimension sheets - Eck-Kamin 42/57/30 lifting door

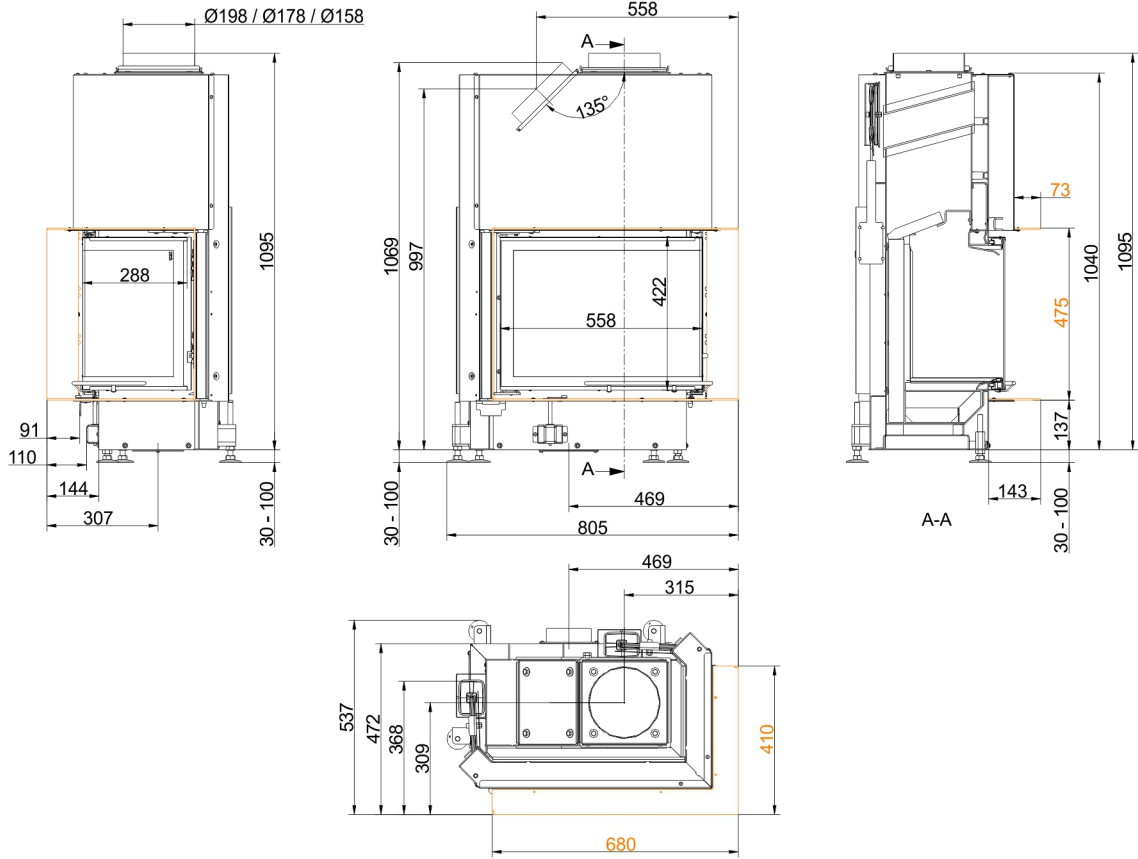


... right with mounting frame 50 mm

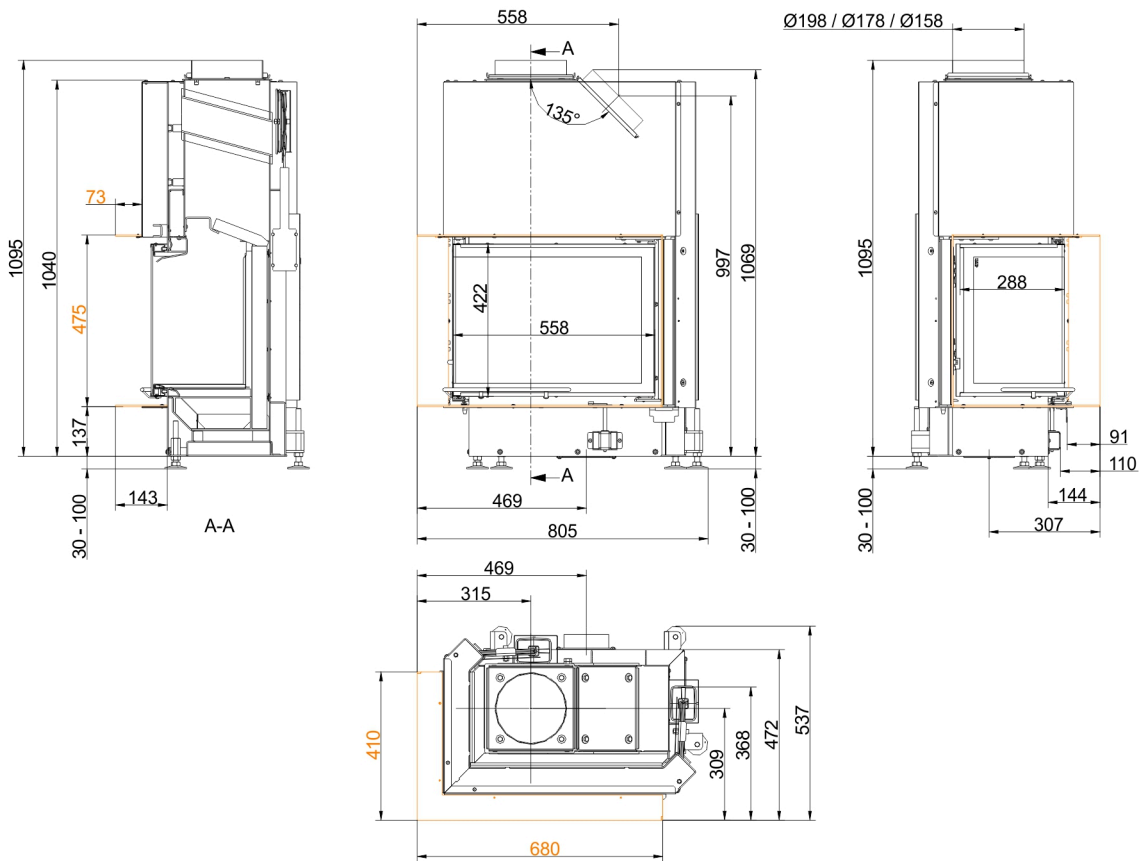


... left with mounting frame 50 mm

Dimension sheets - Eck-Kamin 42/57/30 lifting door



... right with mounting frame 70 mm



... left with mounting frame 70 mm

We suggest for CAD planning Palette CAD. Permanent updated drawings: www.brunner.de

Frames/ flue gas outlet connection/ combustion air supply connection/ front variants/ support bearing are marked in color.

Planning and installation - Eck-Kamin 42/57/30 lifting door

| Tested according to | | EN 13229 W | EN 13229 WA |
|---|-------------------|--|---------------------------------|
| Values measured at | | Rated power ¹⁾ | Storage operation ²⁾ |
| Suitable for all construction types according to rules | | OK | OK |
| Data for functional demonstration | | | |
| Rated heat power | kW | 7 | - |
| Fire wood volume | kg/h | 2.4 | 5 |
| Combustion performance | kW | 8.5 | 22 |
| Flue gas mass flow | g/s | 7 | 21 |
| Flue gas temperature after: | | | |
| metallic hot air hood | °C | 250 | 270 |
| Necessary supply pressure | Pa | 12 | 15 |
| Combustion air consumption | m ³ /h | 24 | 50 |
| Combustion air connection Ø | mm | 125 | 125 |
| Heat distribution | | | |
| Insert / reheating surface | % | 25 / 30 | 25 / 30 |
| Glass pane (single / double) | % | 45 / - | 45 / - |
| Cross-section of gratings ³⁾ | | | |
| Convection air | cm ² | 800 / 100 / - | 800 / 100 / - |
| Supply air | cm ² | 800 / 100 / - | 800 / 100 / - |
| Minimal oven surface for closed construction type | | | |
| Heat dissipating surface | m ² | 3.5 | 3.5 |
| Minimal distances of the fireplace | | | |
| to cladding, insulation layer | cm | 6 | 6 |
| to mounting floor | cm | 4 | 4 |
| Thermal insulation without / with air gratings ⁴⁾ | | | |
| Mounting wall | cm | 14 / 12 | 14 / 12 |
| Floor | cm | 2 / 2 | 2 / 2 |
| Ceiling | cm | 16 / 14 | 16 / 14 |
| Brick lining for combustible wall | cm | 10 | 10 |
| Weight | | | |
| Fireplace / combustion chamber | kg | 148 / 37 | |
| Meets requirement/limit values for: | | | |
| Germany/ Austria / Switzerland / Norway | | 1.BImSchV (Stufe 2) / 15a BvG (2015) / - / - | |

- 1) Indications to "Rated power" determined with metallic reheating surface
- 2) Indications to "Storage operation" for the manual execution of the reheating surface (guide values).
- 3) for fireplace inserts / flue gas pipe / metallic reheating surface
- 4) Values determined with upper air cross-sections; stove cladding is heat emitting.