

FIREPLACE INSERTS FROM BRUNNER



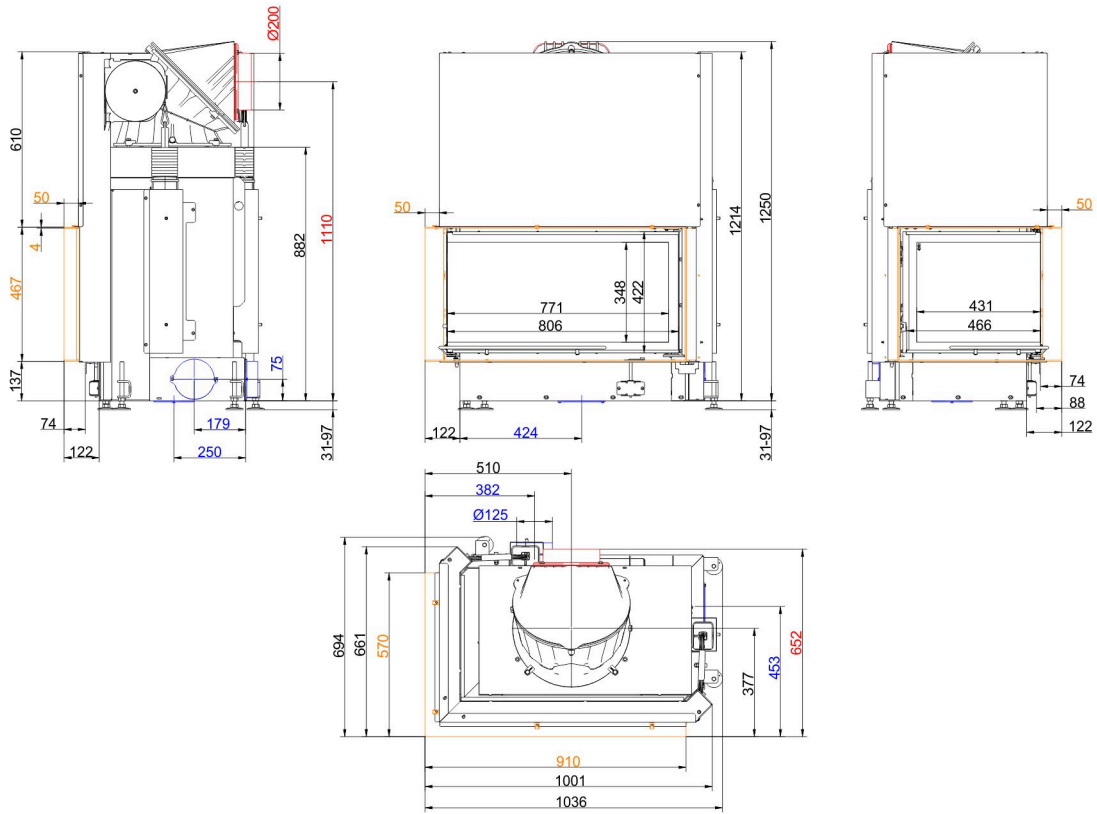
Architektur-Eck 45/82/48

State: 2023-08-21

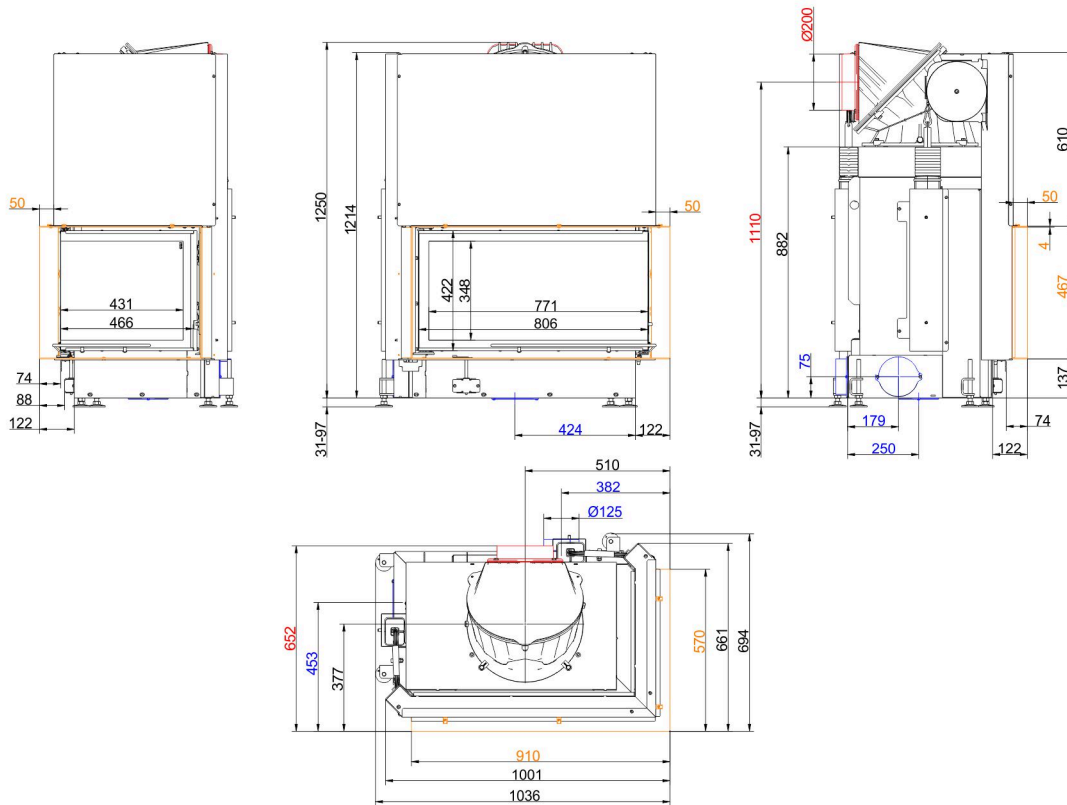


BRUNNER[®]
made in germany.

Dimension sheets - Architektur-Eck 45/82/48

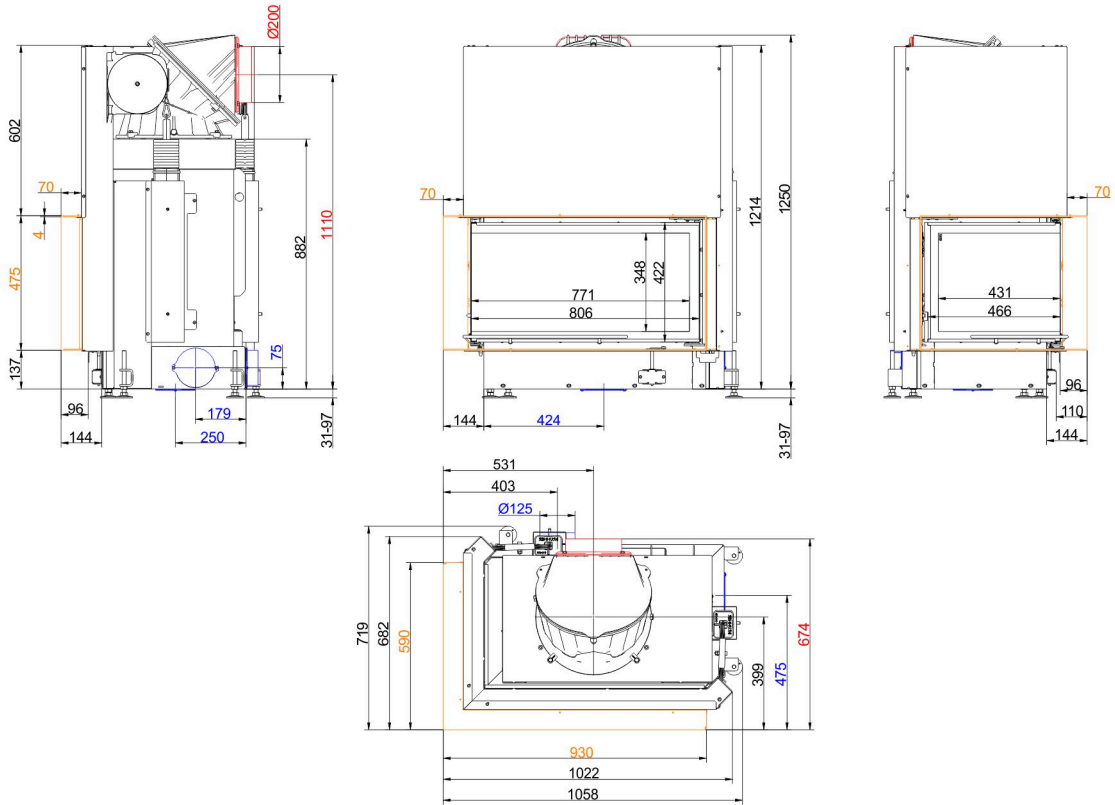


... left with mounting frame 50 mm and cast iron hot air hood

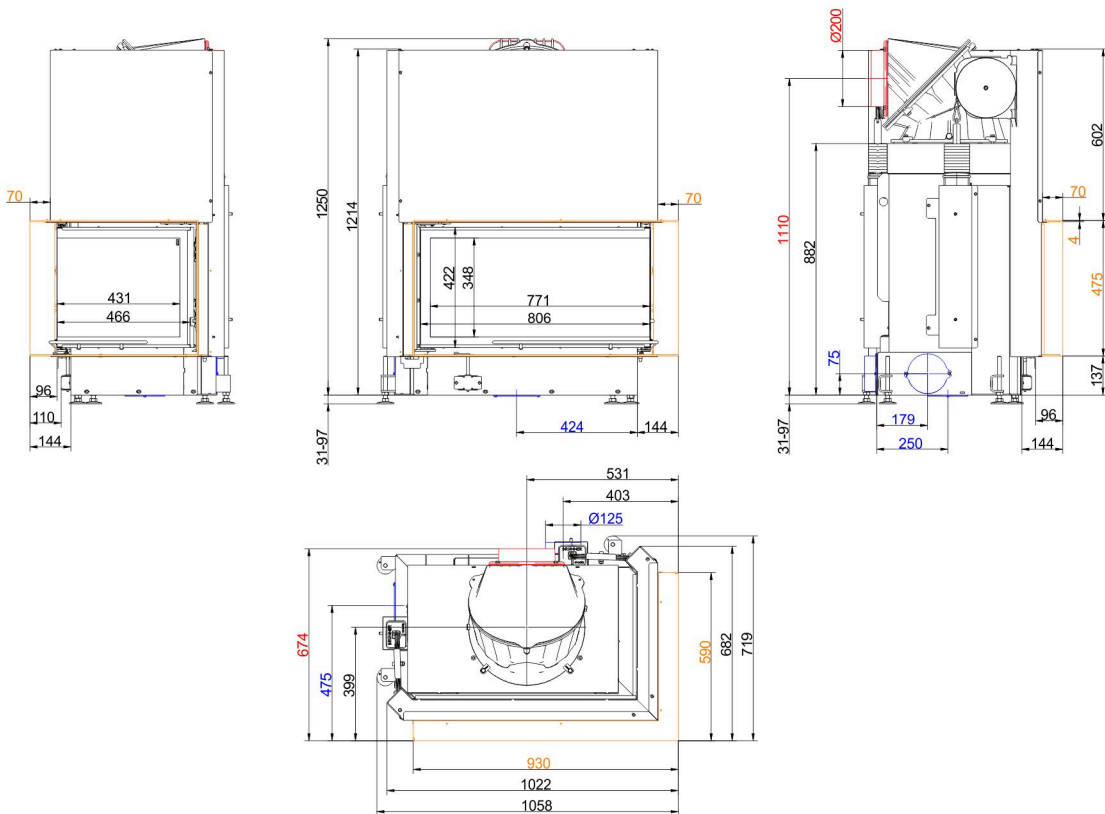


... right with mounting frame 50 mm and cast iron hot air hood

Dimension sheets - Architektur-Eck 45/82/48

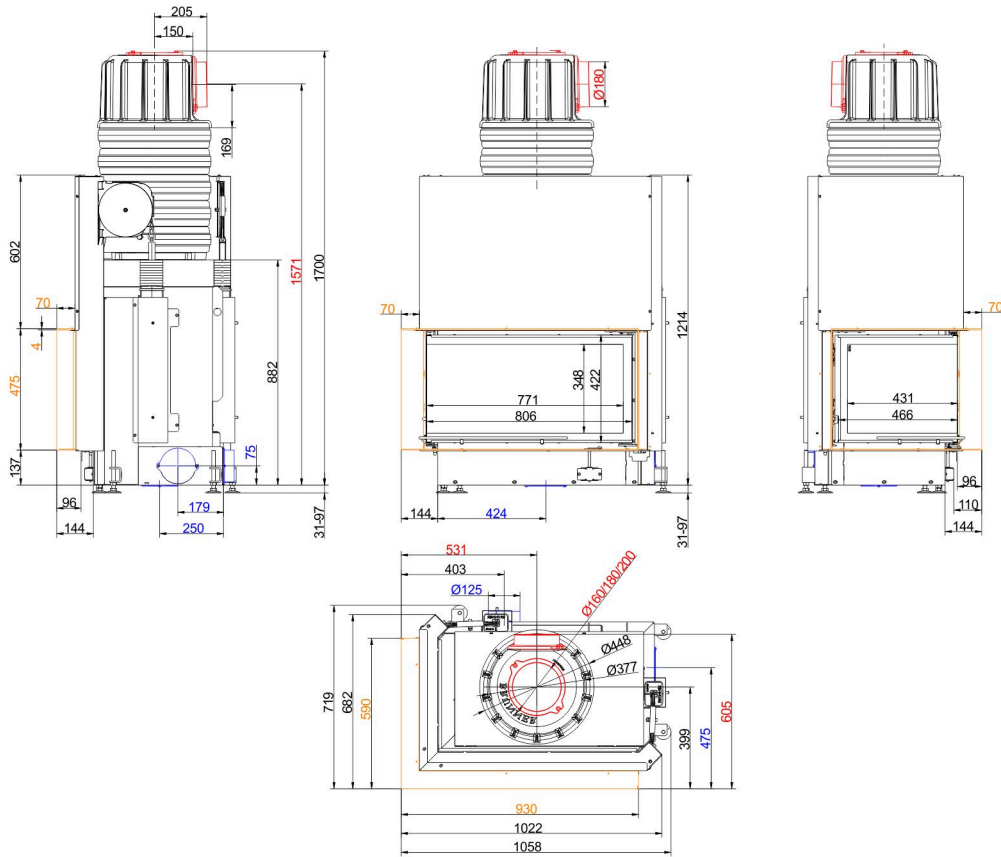


... left with mounting frame 70 mm and cast iron hot air hood

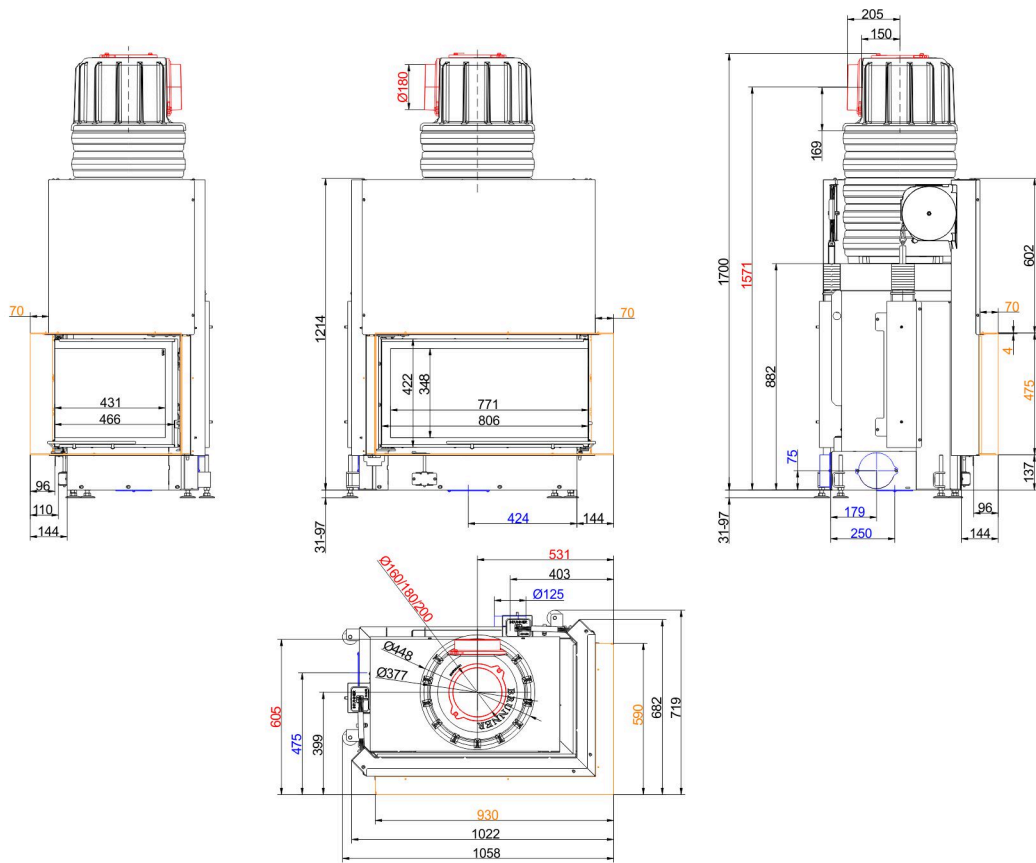


... right with mounting frame 70 mm and cast iron hot air hood

Dimension sheets - Architektur-Eck 45/82/48



... left with mounting frame 70 mm and MAS



... right with mounting frame 70 mm and MAS

We suggest for CAD planning Palette CAD. Permanent updated drawings: www.brunner.de

Frames/ flue gas outlet connection/ combustion air supply connection/ front variants/ support bearing are marked in color.

Planning and installation - Architektur-Eck 45/82/48

Tested according to		EN 13229 W	EN 13229 WA
Values measured at		Rated power ¹⁾	Storage operation ²⁾
Suitable for all construction types according to rules		OK	OK
Data for functional demonstration			
Rated heat power	kW	12	-
Fire wood volume	kg/h	3.6	5
Combustion performance	kW	16	22
Flue gas mass flow	g/s	11	19
Outlet temperature (before reheating surface)	°C	-	325
Flue gas temperature after:			
cast iron hot air hood	°C	195	260
1 x adjoining cast iron radiator (GNF 8/10)	°C	-	142
5 x accumulation rings incl. MAS casted cover ³⁾	°C	-	200
2 m ceramic accumulator ⁴⁾	°C	-	180
1,4 m accumulation stones (MSS) ⁴⁾	°C	-	180
Necessary supply pressure	Pa	12	15
Combustion air consumption	m ³ /h	32	50
Combustion air connection Ø	mm	125	125
Heizgastemperatur (vor der Haubenvariante)			
cast iron dome	°C	-	325
Heat distribution			
Insert / reheating surface	%	25 / 30	25 / 30
Glass pane (single / double)	%	45 / -	45 / -
Cross-section of gratings ⁵⁾			
Convection air	cm ²	700 / 100 / 400	700 / 100 / 400
Supply air	cm ²	700 / 100 / 400	700 / 100 / 400
Minimal oven surface for closed construction type			
Heat dissipating surface	m ²	5	5
Minimal distances of the fireplace			
to cladding, insulation layer	cm	6	6
to mounting floor	cm	15	15
Thermal insulation without / with air gratings ⁶⁾			
Mounting wall	cm	14 / 10	14 / 10
Floor	cm	2 / 2	2 / 2
Ceiling	cm	19 / 14	19 / 14
Brick lining for combustible wall	cm	10	10
Weight			
Fireplace / combustion chamber	kg	238 / 71	
Meets requirement/limit values for:			
Germany/ Austria / Switzerland / Norway		1.BImSchV (Stufe 2) / 15a BVG (2015) / LRV / NS 3059	

- 1) Indications to "Rated power" determined with metallic reheating surface
- 2) Indications to "Storage operation" for the manual execution of the reheating surface (guide values).
- 3) Damper flap recommended
- 4) Standard value or calculated functional proof required.
- 5) for fireplace inserts / flue gas pipe / metallic reheating surface
- 6) Values determined with upper air cross-sections; stove cladding is heat emitting.