

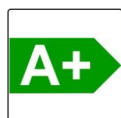
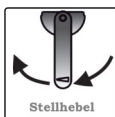
FIREPLACE INSERTS FROM BRUNNER



Eck-Kamin 57/52/52

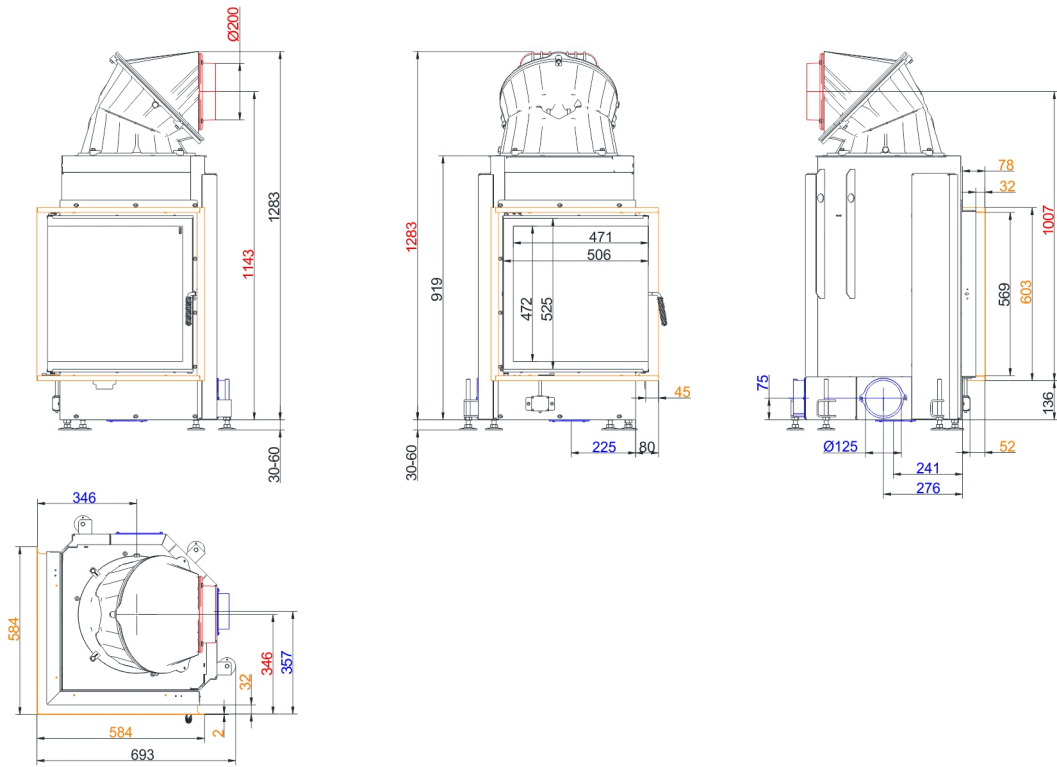
side-opening door

State: 2023-08-21

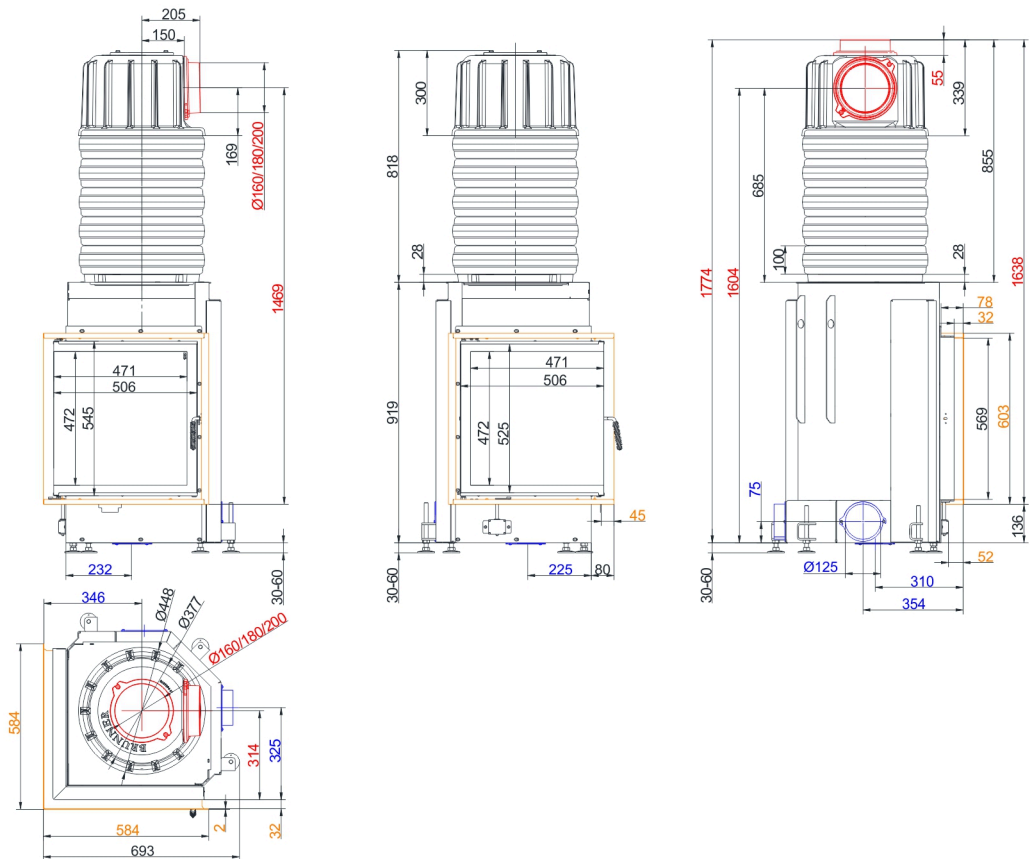


BRUNNER[®]
made in germany.

Dimension sheets - Eck-Kamin 57/52/52 side-opening door

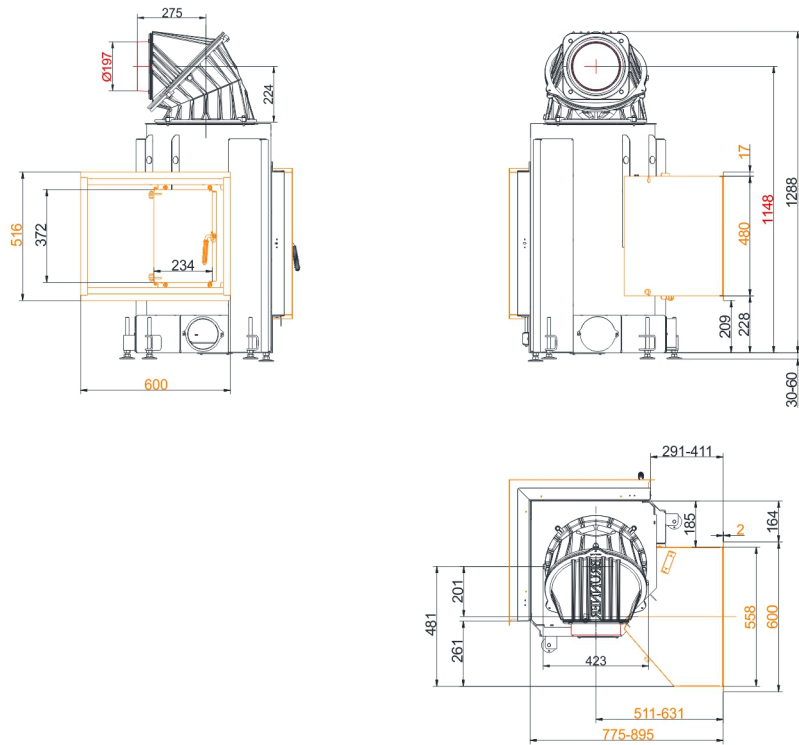


... with door frame and cast iron hot air hood

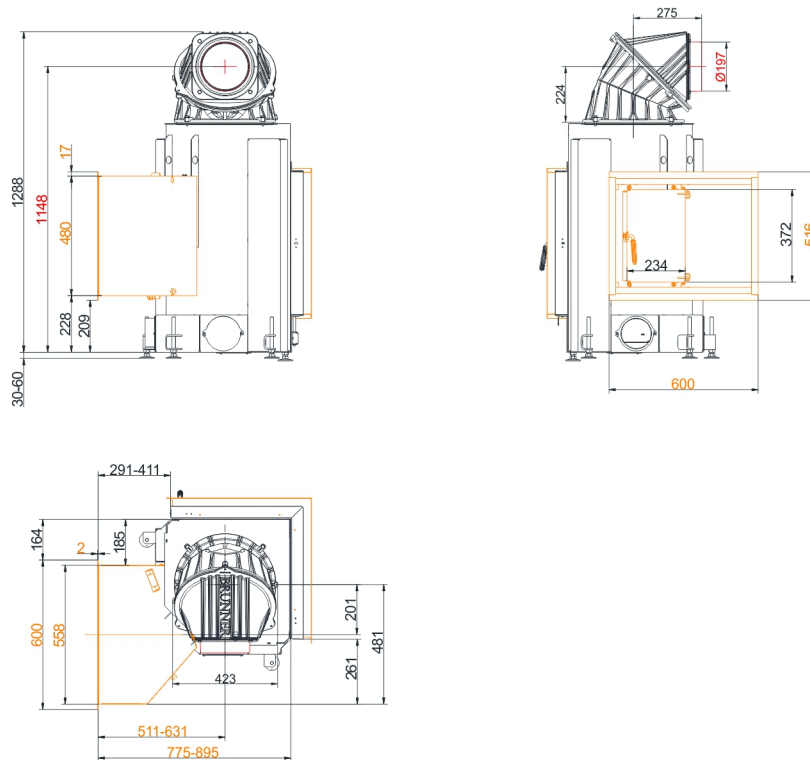


... with door frame and MAS

Dimension sheets - Eck-Kamin 57/52/52 side-opening door



... with additional fire door left



... with additional fire door right

We suggest for CAD planning Palette CAD. Permanent updated drawings: www.brunner.de

Frames/ flue gas outlet connection/ combustion air supply connection/ front variants/ support bearing are marked in color.

Planning and installation - Eck-Kamin 57/52/52 side-opening door

Tested according to		EN 13229 W	EN 13229 WA
Values measured at		Rated power ¹⁾	Storage operation ²⁾
Suitable for all construction types according to rules		OK	OK
Data for functional demonstration			
Rated heat power	kW	10	-
Fire wood volume	kg/h	3	5
Combustion performance	kW	13	22
Flue gas mass flow	g/s	12	21
Outlet temperature (before reheating surface)	°C	-	340
Flue gas temperature after:			
metallic hot air hood	°C	210	246
1 x adjoining cast iron radiator (GNF 8/10)	°C	-	124
5 x accumulation rings incl. MAS casted cover ³⁾	°C	-	210
2 m ceramic accumulator ⁴⁾	°C	-	180
1,4 m accumulation stones (MSS) ⁴⁾	°C	-	180
Necessary supply pressure	Pa	13	15
Combustion air consumption	m ³ /h	30	50
Combustion air connection Ø	mm	125	125
Heizgastemperatur (vor der Haubenvariante)			
cast iron dome	°C	-	340
Heat distribution			
Insert / reheating surface	%	25 / 30	25 / 30
Glass pane (single / double)	%	45 / -	45 / -
Cross-section of gratings ⁵⁾			
Convection air	cm ²	500 / 100 / 300	500 / 100 / 300
Supply air	cm ²	500 / 100 / 300	500 / 100 / 300
Minimal oven surface for closed construction type			
Heat dissipating surface	m ²	4	4
Minimal distances of the fireplace			
to cladding, insulation layer	cm	6	6
to mounting floor	cm	15	15
Thermal insulation without / with air gratings ⁶⁾			
Mounting wall	cm	14 / 10	14 / 10
Floor	cm	2 / 2	2 / 2
Ceiling	cm	16 / 12	16 / 12
Brick lining for combustible wall	cm	10	10
Weight			
Fireplace / combustion chamber	kg	195 / 52	
Meets requirement/limit values for:			
Germany/ Austria / Switzerland / Norway		1.BImSchV (Stufe 2) / 15a BVG (2015) / LRV / NS 3059	

- 1) Indications to "Rated power" determined with metallic reheating surface
- 2) Indications to "Storage operation" for the manual execution of the reheating surface (guide values).
- 3) Damper flap recommended
- 4) Standard value or calculated functional proof required.
- 5) for fireplace inserts / flue gas pipe / metallic reheating surface
- 6) Values determined with upper air cross-sections; stove cladding is heat emitting.