

FIREPLACE INSERTS FROM BRUNNER



Architektur 45/101

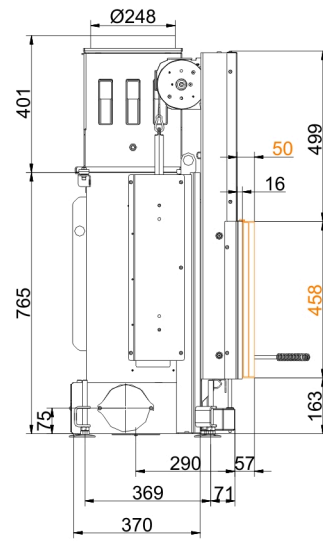
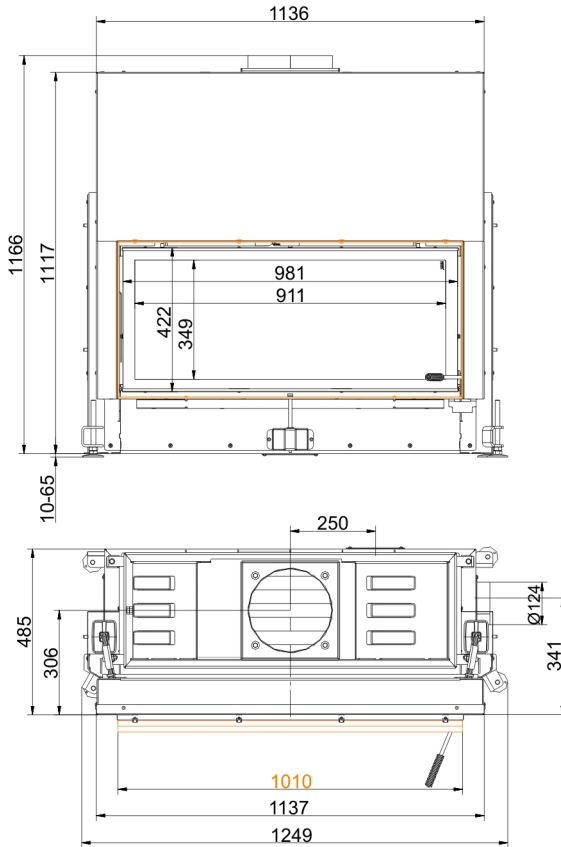
lifting door

State: 2023-09-13

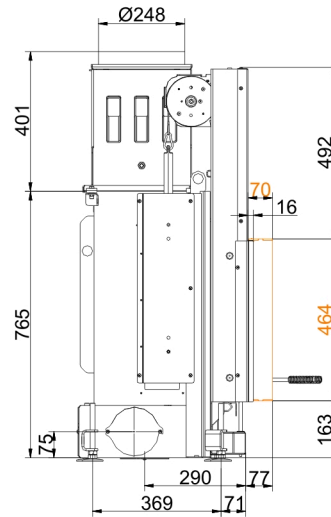
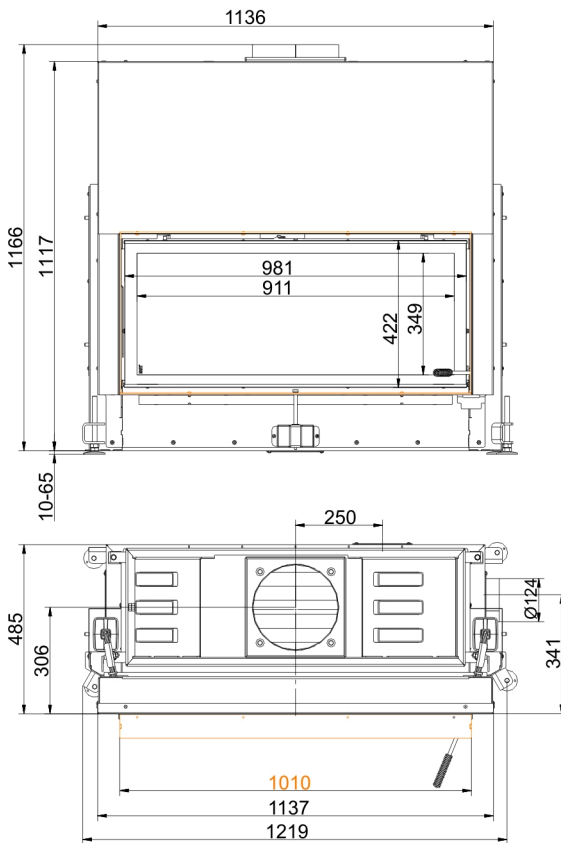


BRUNNER[®]
made in germany.

Dimension sheets - Architektur 45/101 lifting door

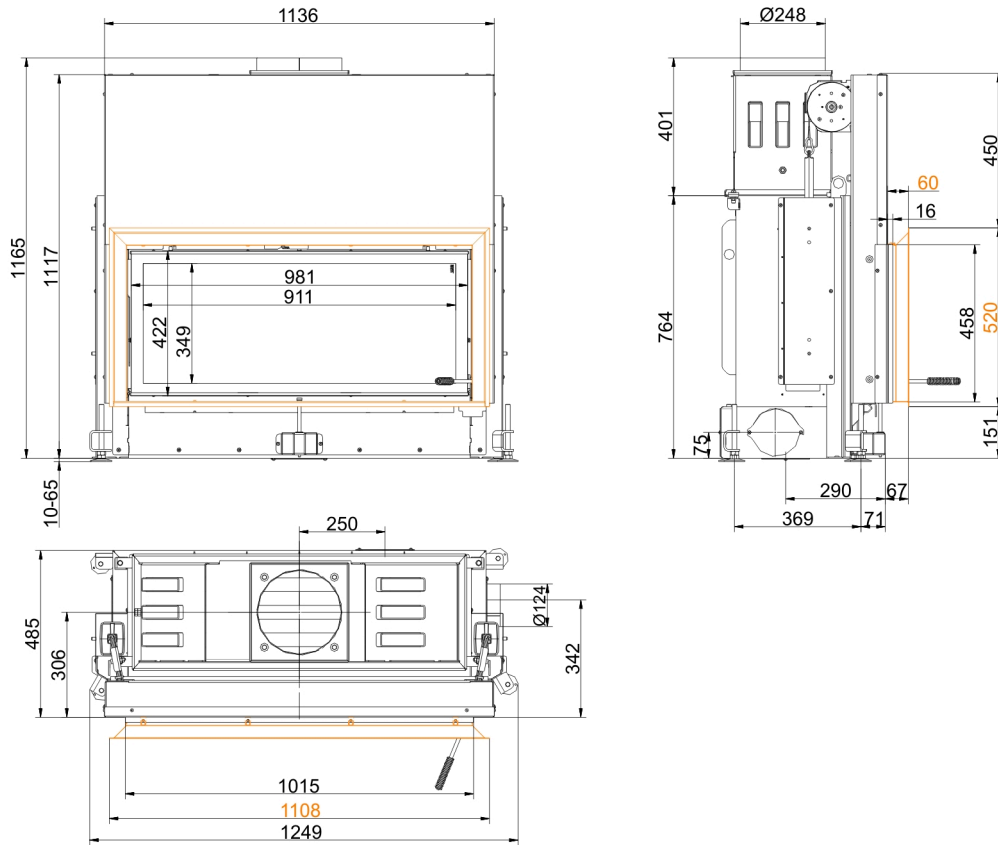


... with mounting frame 50 mm

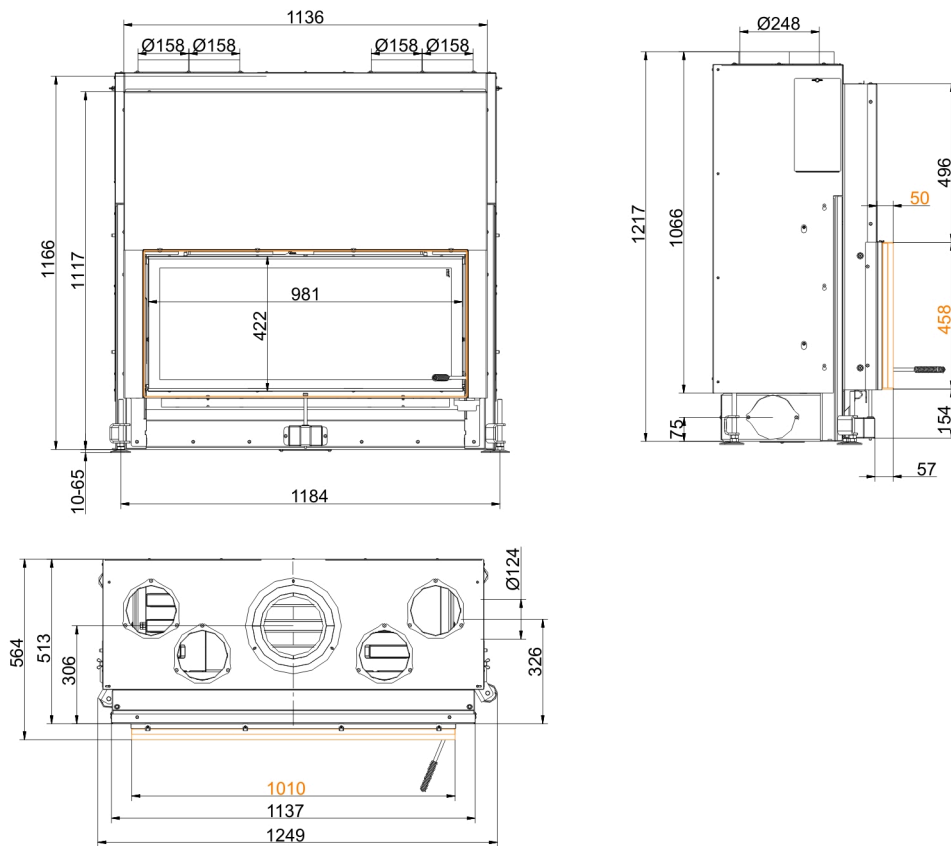


... with mounting frame 70 mm

Dimension sheets - Architektur 45/101 lifting door

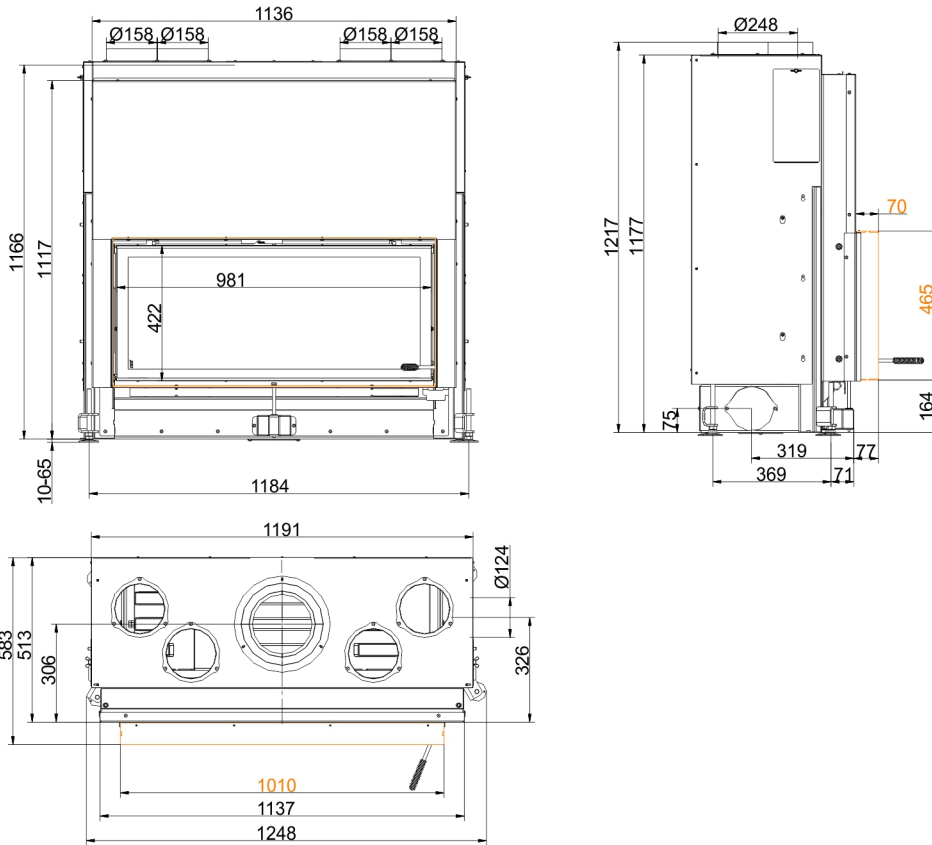


... with door frame

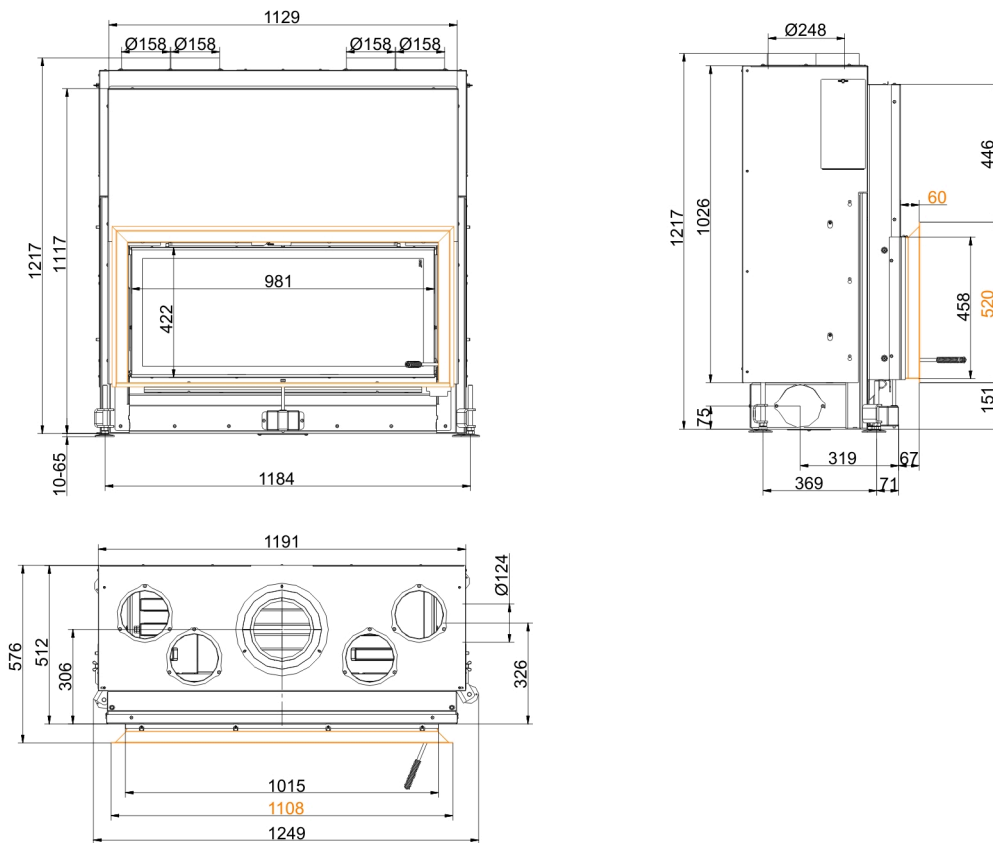


... with mounting frame 50 mm and convectional air coating

Dimension sheets - Architektur 45/101 lifting door



... with mounting frame 70 mm and convection cladding



... with frame and convection cladding

We suggest for CAD planning Palette CAD. Permanent updated drawings: www.brunner.de
 Frames/ flue gas outlet connection/ combustion air supply connection/ front variants/ support bearing are marked in color.

Planning and installation - Architektur 45/101 lifting door

Tested according to		EN 13229 W
Values measured at		Rated power ¹⁾
Suitable for all construction types according to rules		OK
Data for functional demonstration		
Rated heat power	kW	14
Fire wood volume	kg/h	4.3
Combustion performance	kW	18
Flue gas mass flow	g/s	16
Flue gas temperature after:		
metallic hot air hood	°C	220
Necessary supply pressure	Pa	12
Combustion air consumption	m ³ /h	40
Combustion air connection Ø	mm	125
Heat distribution		
Insert / reheating surface	%	60 / -
Glass pane (single / double)	%	40 / -
Cross-section of gratings ²⁾		
Convection air	cm ²	900 / 100 / -
Supply air	cm ²	900 / 100 / -
Minimal oven surface for closed construction type		
Heat dissipating surface	m ²	7.2
Minimal distances of the fireplace		
to cladding, insulation layer	cm	6
to mounting floor	cm	2
Thermal insulation without / with air gratings ³⁾		
Mounting wall	cm	18 / 14
Floor	cm	4 / 2
Ceiling	cm	25 / 18
Brick lining for combustible wall	cm	10
Weight		
Fireplace / combustion chamber	kg	200 / 80
Meets requirement/limit values for:		
Germany/ Austria / Switzerland / Norway		1.BImSchV (Stufe 2) / 15a BVG (2015) / LRV / NS 3059

- 1) Indications to "Rated power" determined with metallic reheating surface
2) for fireplace inserts / flue gas pipe / metallic reheating surface
3) Values determined with upper air cross-sections; stove cladding is heat emitting.