

FIREPLACE INSERTS FROM BRUNNER



Stil-Kamin 53/88

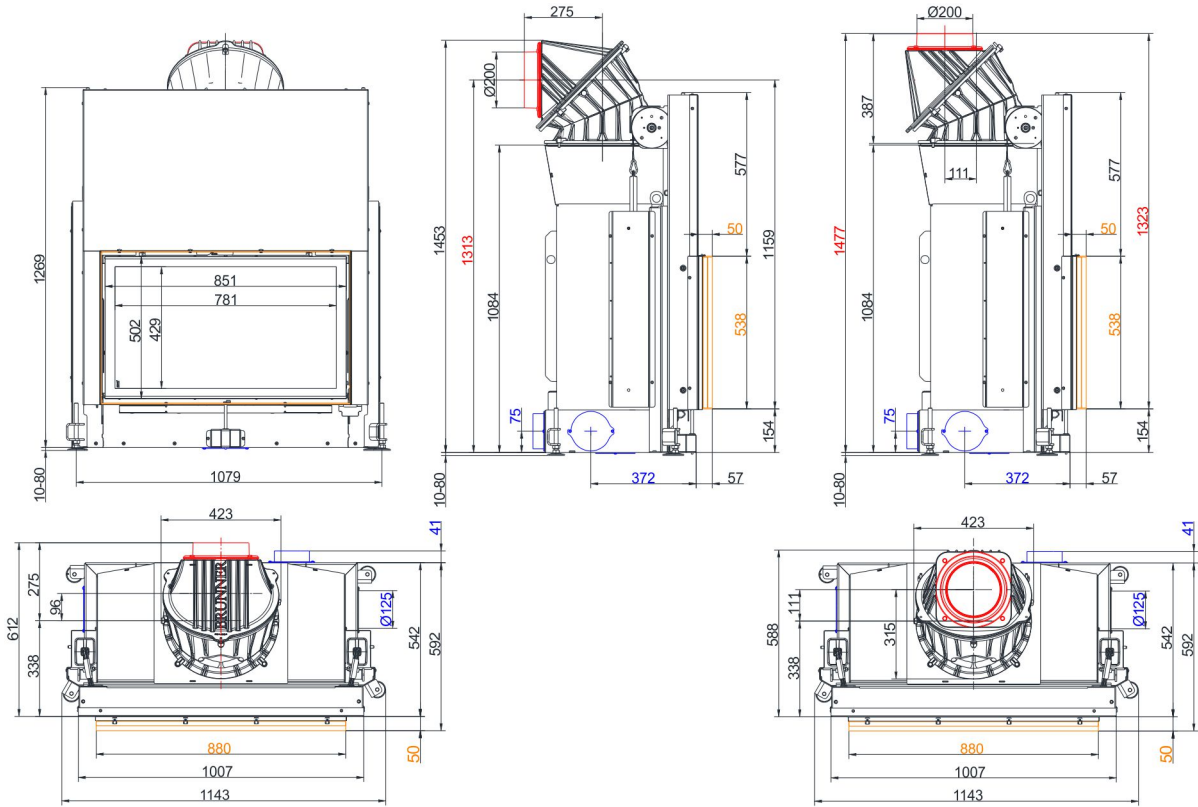
lifting door

State: 2023-08-22

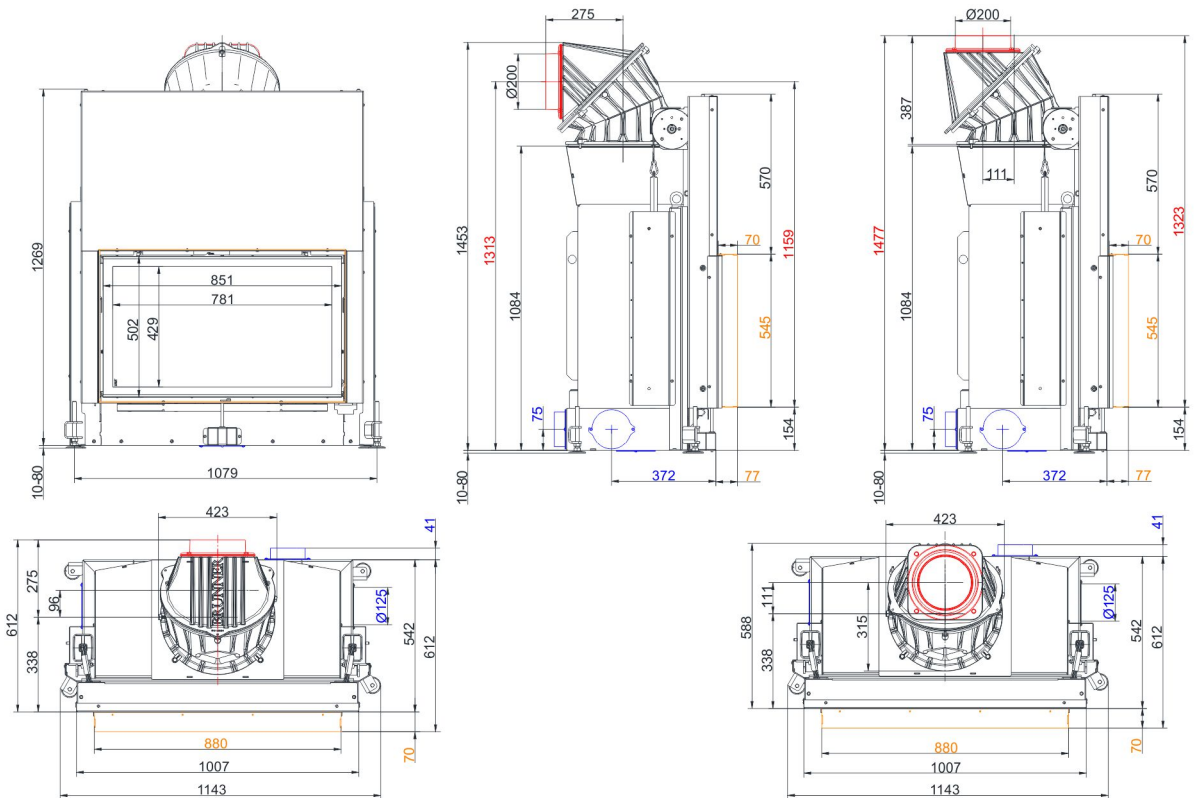


BRUNNER[®]
made in germany.

Dimension sheets - Stil-Kamin 53/88 lifting door

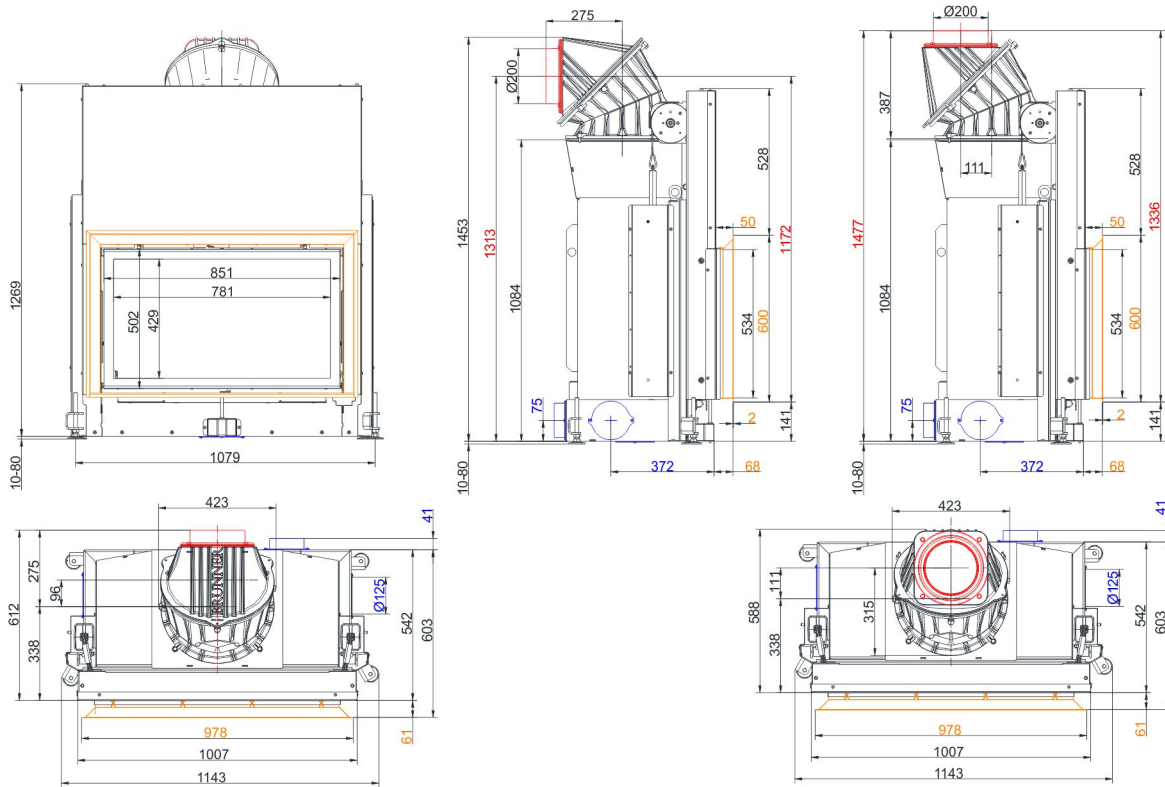


... with mounting frame 50 mm and cast iron hot air hood

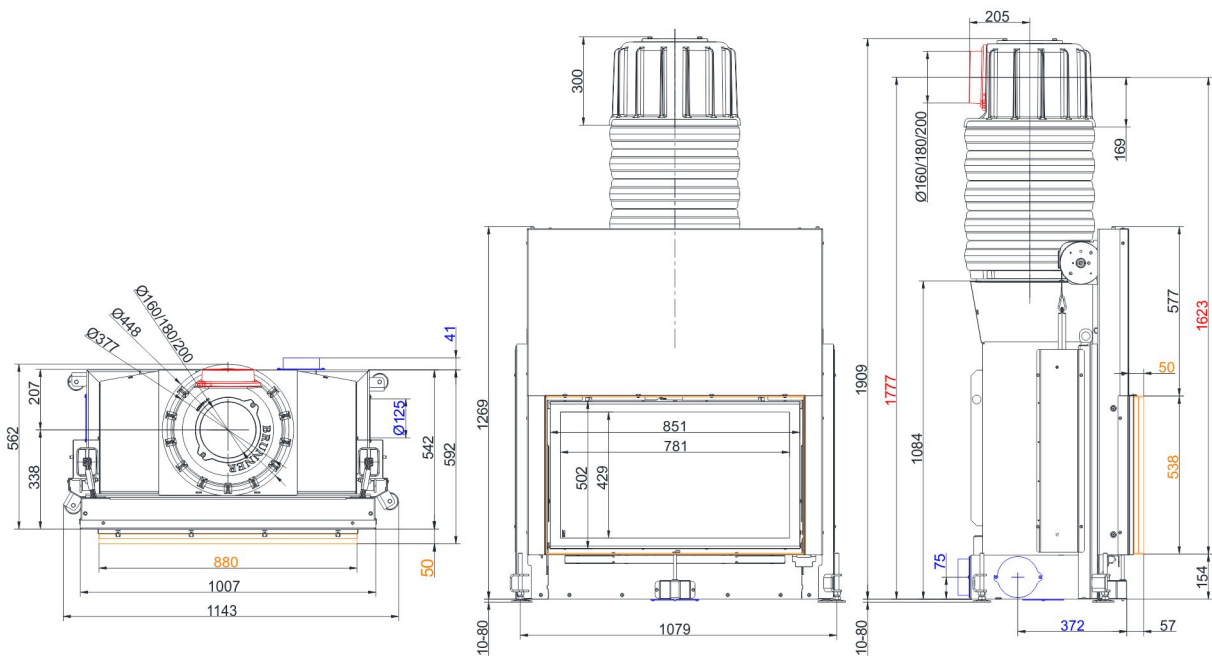


... with mounting frame 70 mm and cast iron hot air hood

Dimension sheets - Stil-Kamin 53/88 lifting door

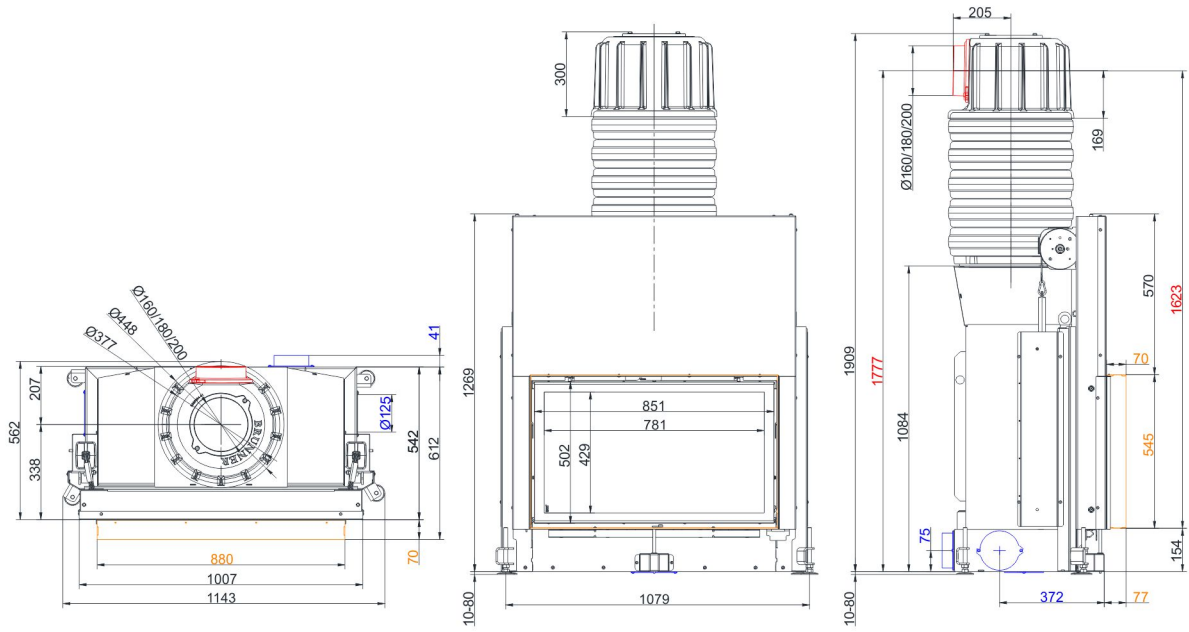


... with door frame and cast iron hot air hood

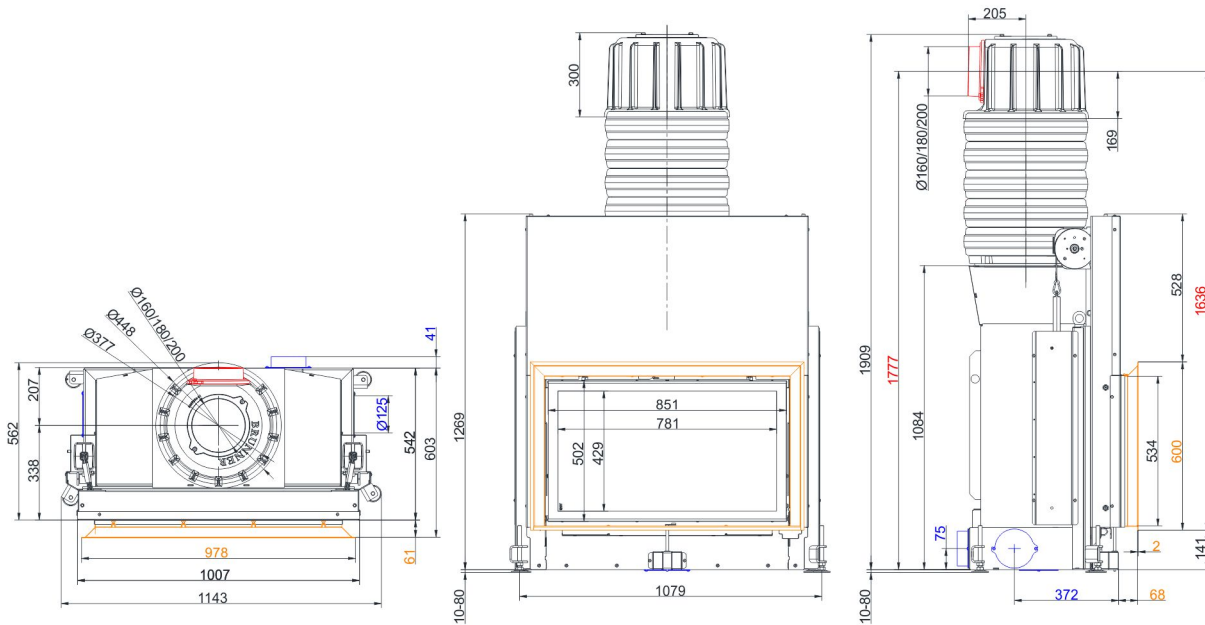


... with mounting frame 50 mm and MAS

Dimension sheets - Stil-Kamin 53/88 lifting door

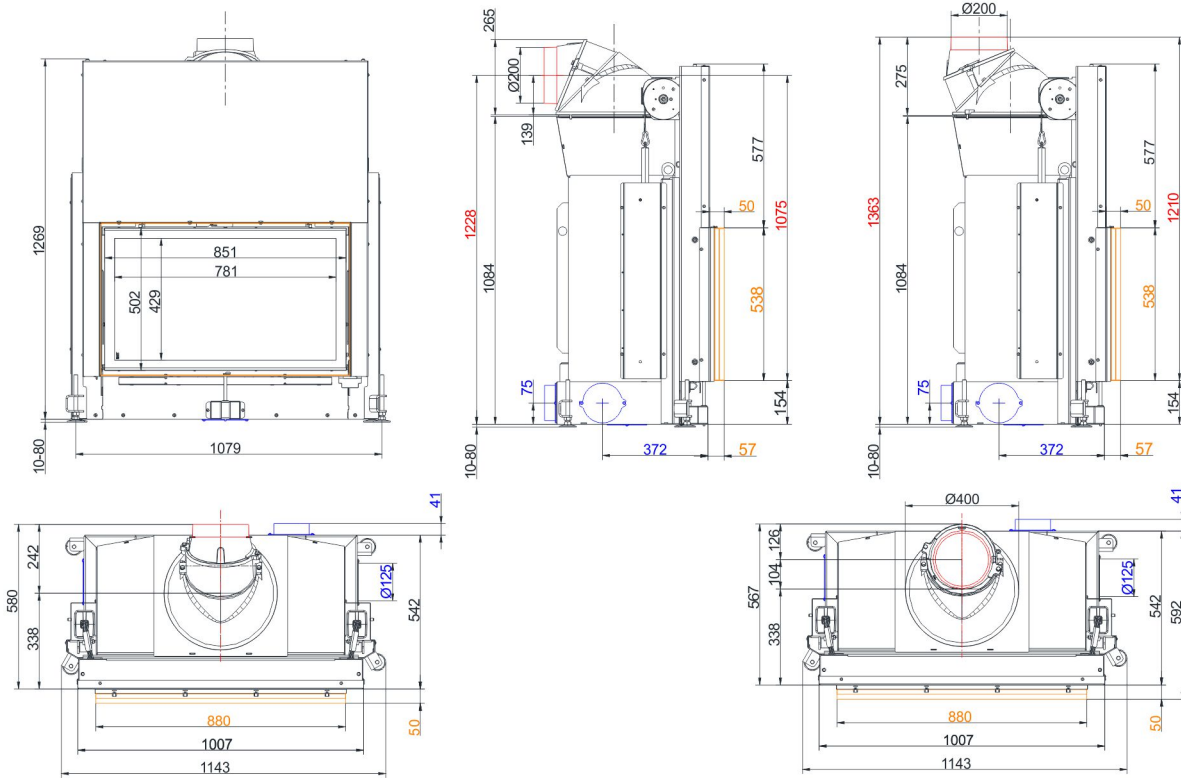


... with mounting frame 70 mm and MAS

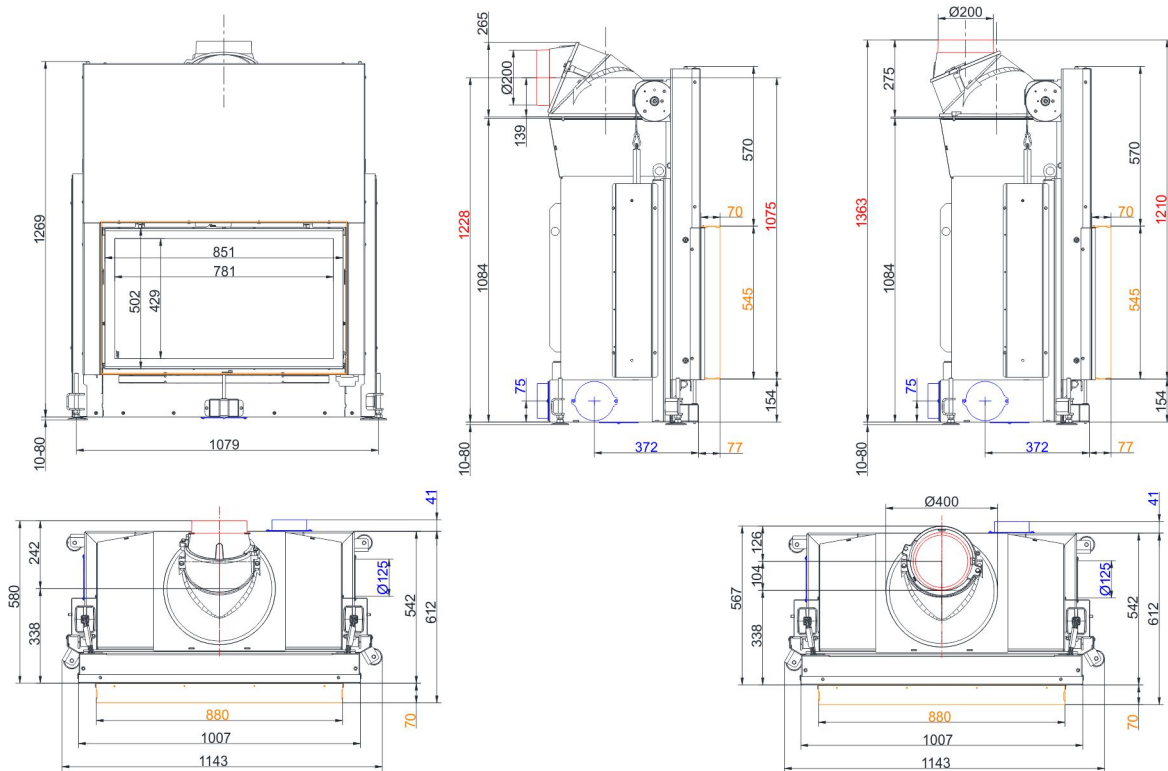


... with door frame and MAS

Dimension sheets - Stil-Kamin 53/88 lifting door

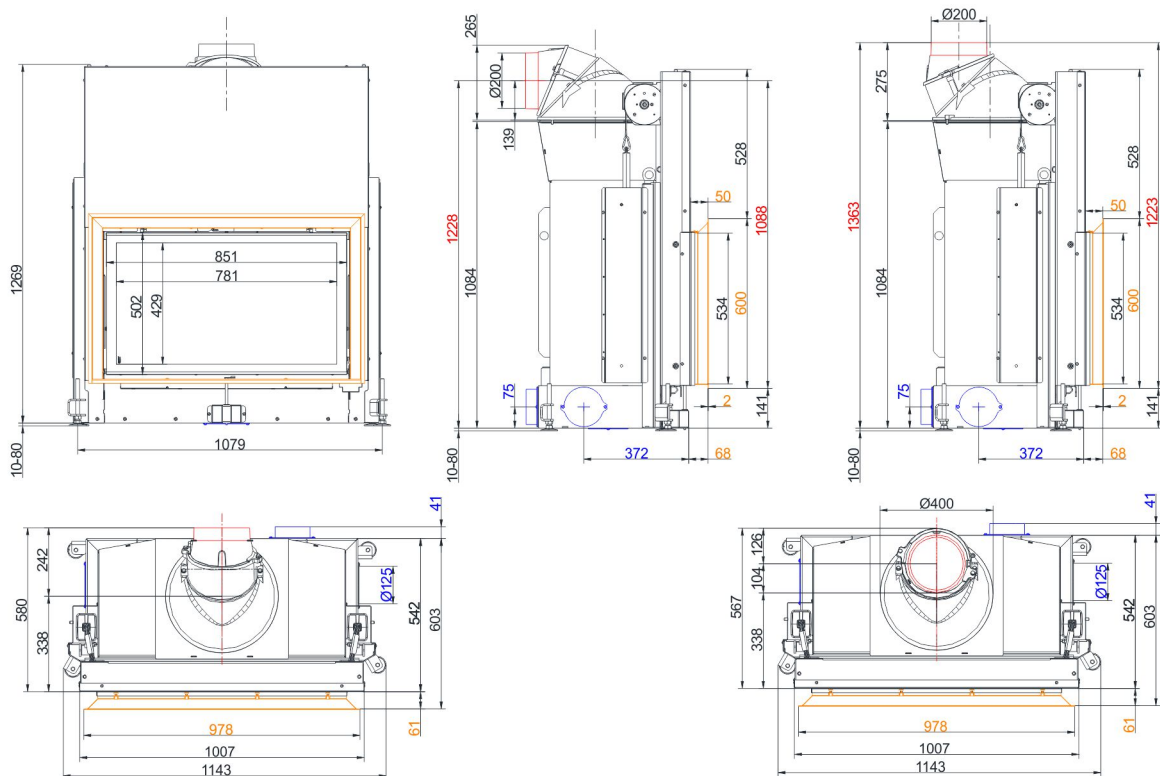


... with mounting frame 50 mm and cast iron dome



... with mounting frame 70 mm and cast iron dome

Dimension sheets - Stil-Kamin 53/88 lifting door



... with door frame and cast iron dome

We suggest for CAD planning Palette CAD. Permanent updated drawings: www.brunner.de
 Frames/ flue gas outlet connection/ combustion air supply connection/ front variants/ support bearing are marked in color.

Planning and installation - Stil-Kamin 53/88 lifting door

Tested according to		EN 13229 W
Values measured at		Rated power ¹⁾
Suitable for all construction types according to rules		OK
Data for functional demonstration		
Rated heat power	kW	11
Fire wood volume	kg/h	3.5
Combustion performance	kW	13
Flue gas mass flow	g/s	13
Outlet temperature (before reheating surface)	°C	325
Flue gas temperature after:		
metallic hot air hood	°C	190
5 x accumulation rings incl. MAS casted cover ²⁾	°C	205
Necessary supply pressure	Pa	13
Combustion air consumption	m ³ /h	38
Combustion air connection Ø	mm	125
Heizgastemperatur (vor der Haubenvariante)		
cast iron dome	°C	325
Heat distribution		
Insert / reheating surface	%	60 / -
Glass pane (single / double)	%	40 / -
Cross-section of gratings ³⁾		
Convection air	cm ²	700 / 100 / -
Supply air	cm ²	700 / 100 / -
Minimal oven surface for closed construction type		
Heat dissipating surface	m ²	4.5
Minimal distances of the fireplace		
to cladding, insulation layer	cm	6
to mounting floor	cm	2
Thermal insulation without / with air gratings ⁴⁾		
Mounting wall	cm	18 / 14
Floor	cm	0
Ceiling	cm	22 / 16
Brick lining for combustible wall	cm	10
Weight		
Fireplace / combustion chamber	kg	220 / 96
Meets requirement/limit values for:		
Germany/ Austria / Switzerland / Norway		1.BImSchV (Stufe 2) / 15a BVG (2015) / LRV / NS 3059

- 1) Indications to "Rated power" determined with metallic reheating surface
- 2) Damper flap recommended
- 3) for fireplace inserts / flue gas pipe / metallic reheating surface
- 4) Values determined with upper air cross-sections; stove cladding is heat emitting.