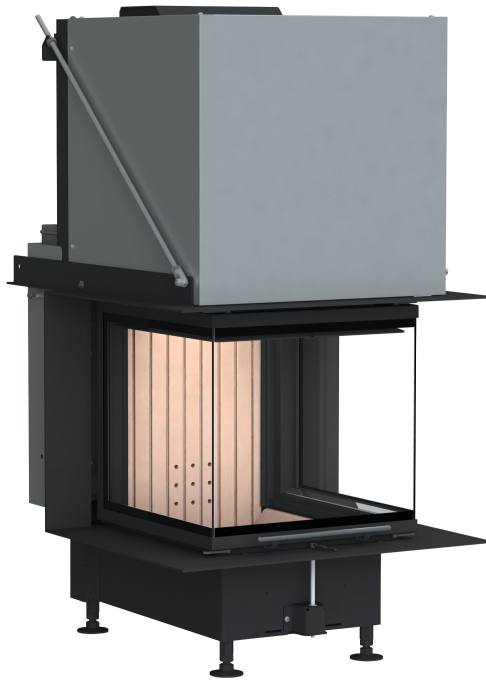


FIREPLACE INSERTS FROM BRUNNER



Panorama-Kamin 42/42/42/42

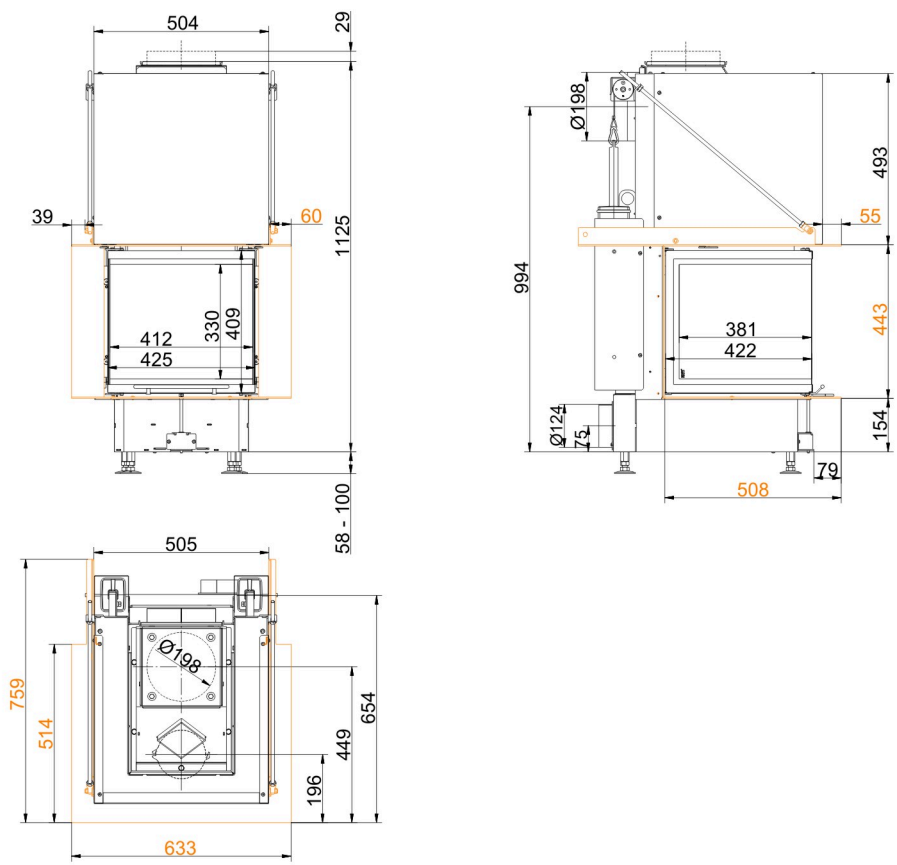
lifting door

State: 2023-08-22

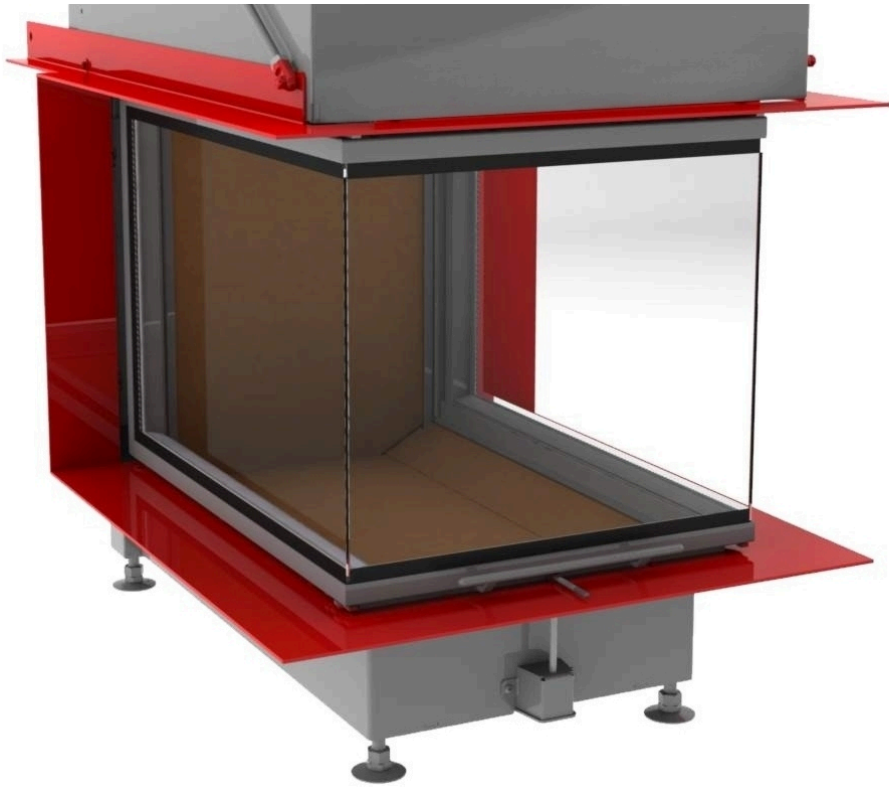


BRUNNER[®]
made in germany.

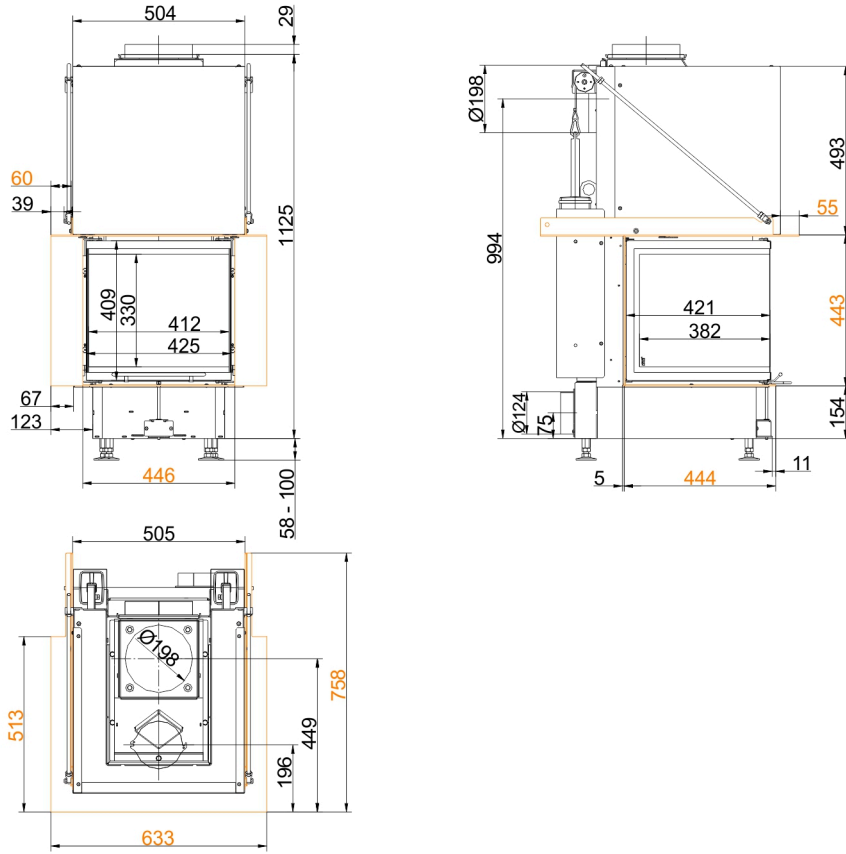
Dimension sheets - Panorama-Kamin 42/42/42/42 lifting door



... with firetable frame wide



Dimension sheets - Panorama-Kamin 42/42/42/42 lifting door



... with firetable frame narrow



We suggest for CAD planning Palette CAD. Permanent updated drawings: www.brunner.de
 Frames/ flue gas outlet connection/ combustion air supply connection/ front variants/ support bearing are marked in color.

Planning and installation - Panorama-Kamin 42/42/42/42 lifting door

Tested according to		EN 13229 W
Values measured at		Rated power ¹⁾
Suitable for all construction types according to rules		OK
Data for functional demonstration		
Rated heat power	kW	8
Fire wood volume	kg/h	2.5
Combustion performance	kW	10
Flue gas mass flow	g/s	7
Flue gas temperature after:		
metallic hot air hood	°C	200
Necessary supply pressure	Pa	12
Combustion air consumption	m ³ /h	22
Flue gas pipe connection Ø	mm	200
Combustion air connection Ø	mm	125
Heat distribution		
Insert / reheating surface	%	50 / -
Glass pane (single / double)	%	50 / -
Cross-section of gratings ²⁾		
Convection air	cm ²	500 / 0 / 0
Supply air	cm ²	500 / 0 / 0
Minimal oven surface for closed construction type		
Heat dissipating surface	m ²	4
Minimal distances of the fireplace		
to cladding, insulation layer	cm	6
to mounting floor	cm	6
Thermal insulation without / with air gratings ³⁾		
Mounting wall	cm	6 / 4
Floor	cm	0
Ceiling	cm	19 / 14
Brick lining for combustible wall	cm	10
Weight		
Fireplace / combustion chamber	kg	148 / 25
Meets requirement/limit values for:		
Germany/ Austria / Switzerland / Norway		1.BImSchV (Stufe 2) / 15a BVG (2015) / LRV / NS 3059

- 1) Indications to "Rated power" determined with metallic reheating surface
2) for fireplace inserts / flue gas pipe / metallic reheating surface
3) Values determined with upper air cross-sections; stove cladding is heat emitting.