

## FIREPLACE INSERTS FROM BRUNNER



# Panorama-Kamin 51/25/101/25

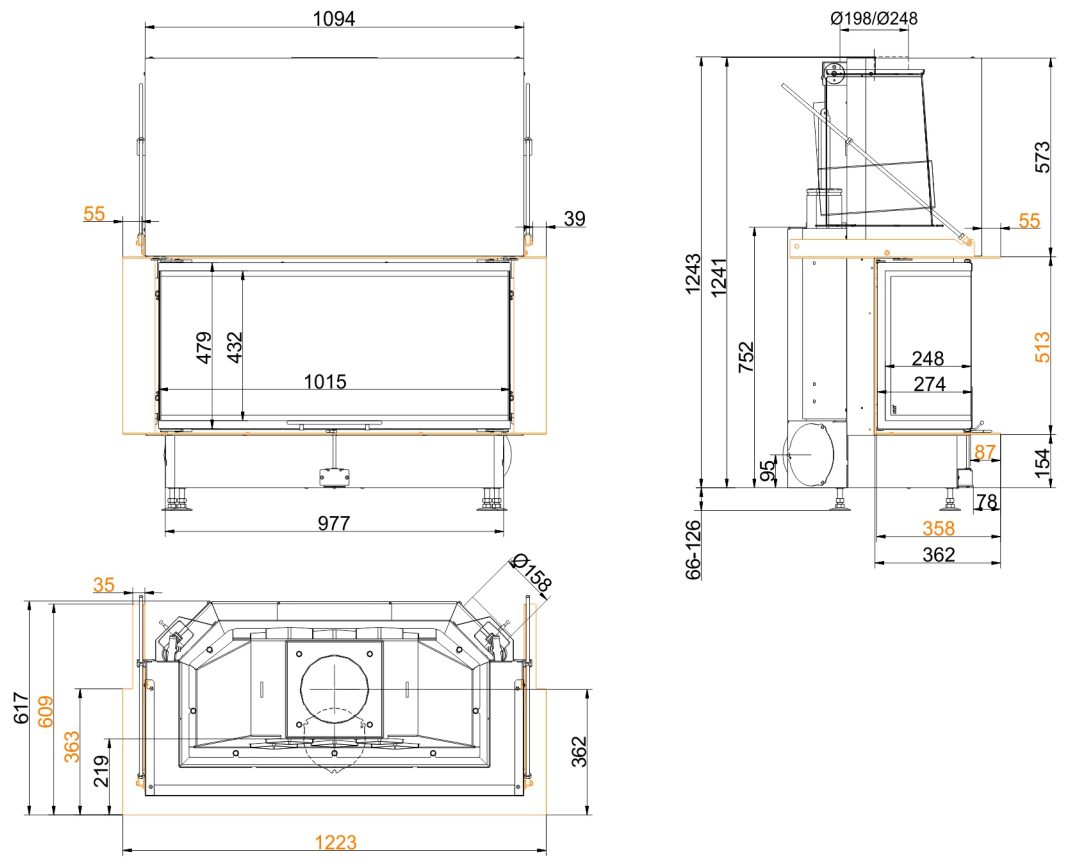
lifting door

State: 2023-08-22

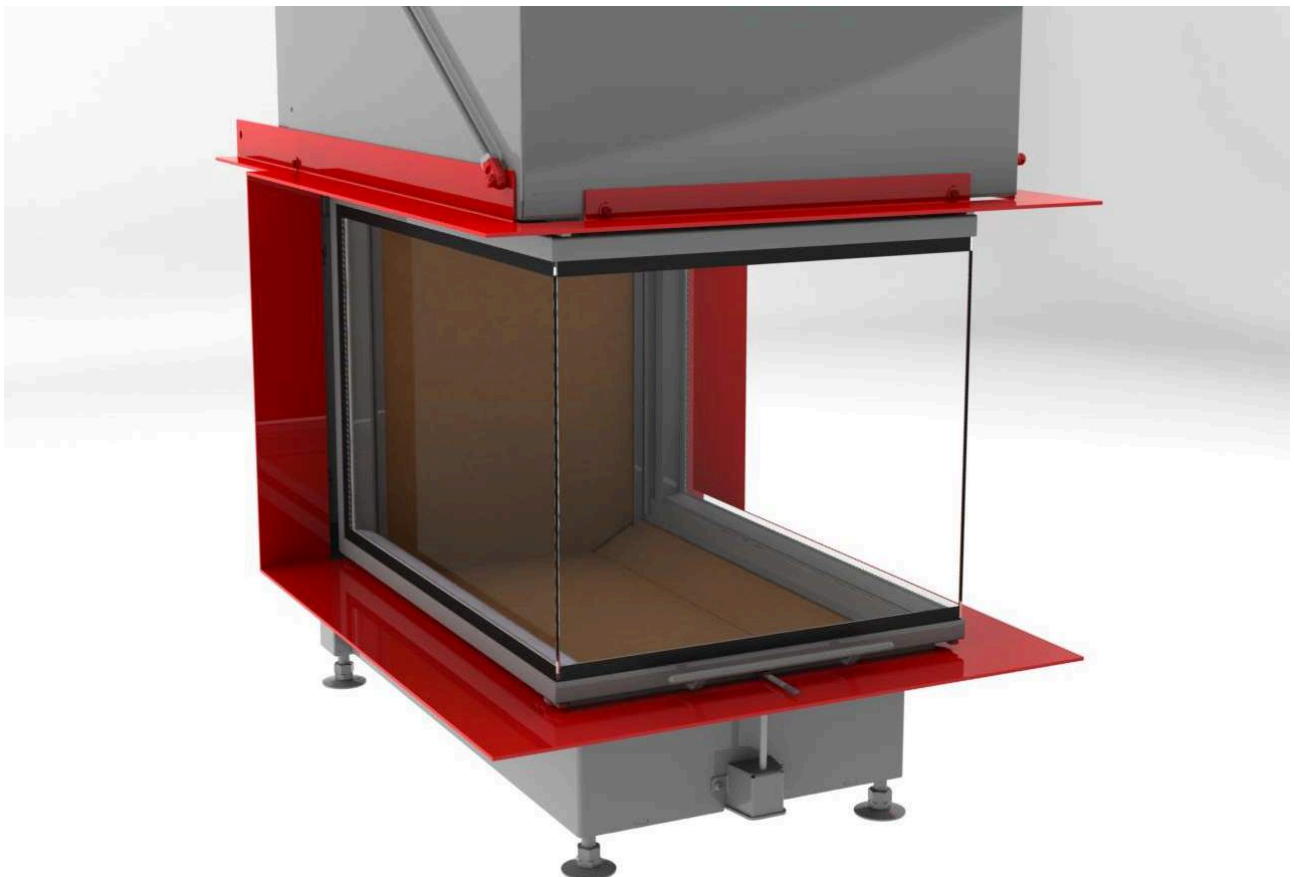


**BRUNNER**<sup>®</sup>  
*made in germany.*

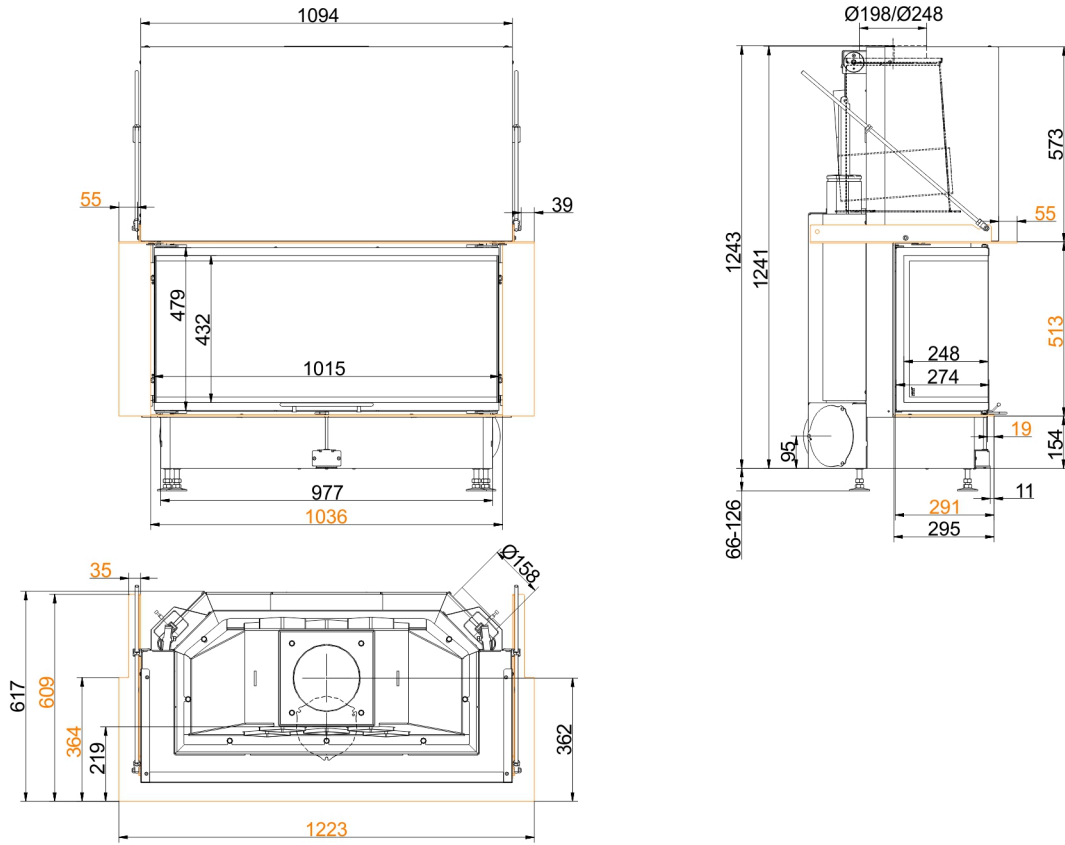
# Dimension sheets - Panorama-Kamin 51/25/101/25 lifting door



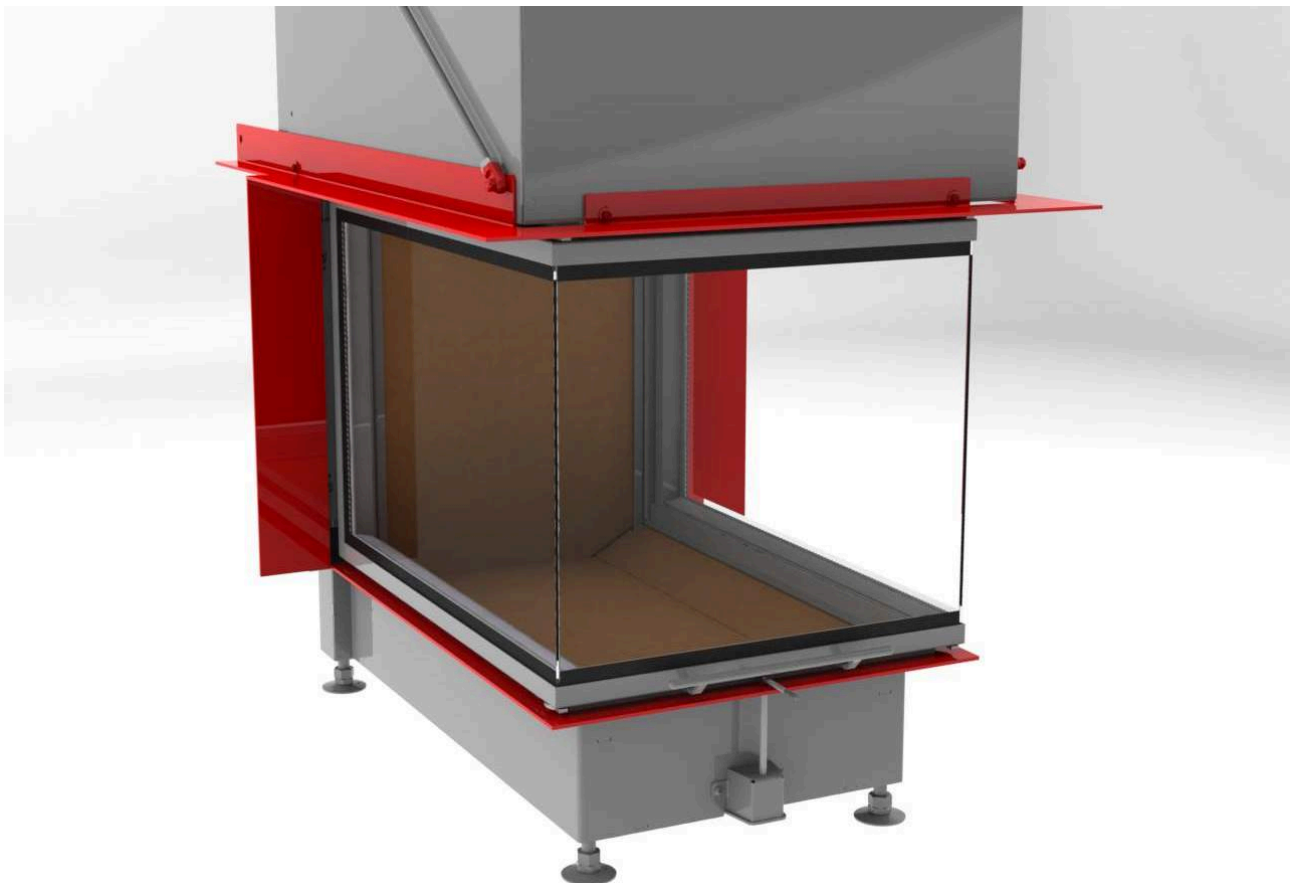
... with firetable frame wide



# Dimension sheets - Panorama-Kamin 51/25/101/25 lifting door



... with firetable frame narrow



We suggest for CAD planning Palette CAD. Permanent updated drawings: [www.brunner.de](http://www.brunner.de)  
 Frames/ flue gas outlet connection/ combustion air supply connection/ front variants/ support bearing are marked in color.

# Planning and installation - Panorama-Kamin 51/25/101/25 lifting door

Tested according to		EN 13229 W
Values measured at		Rated power <sup>1)</sup>
Suitable for all construction types according to rules		OK
<b>Data for functional demonstration</b>		
Rated heat power	kW	12
Fire wood volume	kg/h	4
Combustion performance	kW	14.5
Flue gas mass flow	g/s	12
Flue gas temperature after:		
metallic hot air hood	°C	210
Necessary supply pressure	Pa	12
Combustion air consumption	m <sup>3</sup> /h	35
Combustion air connection Ø	mm	160
<b>Heat distribution</b>		
Insert / reheating surface	%	50 / -
Glass pane (single / double)	%	50 / -
<b>Cross-section of gratings <sup>2)</sup></b>		
Convection air	cm <sup>2</sup>	900 / - / -
Supply air	cm <sup>2</sup>	900 / - / -
<b>Minimal oven surface for closed construction type</b>		
Heat dissipating surface	m <sup>2</sup>	5
<b>Minimal distances of the fireplace</b>		
to cladding, insulation layer	cm	6
to mounting floor	cm	2
<b>Thermal insulation without / with air gratings <sup>3)</sup></b>		
Mounting wall	cm	10 / 6
Floor	cm	0
Ceiling	cm	19 / 14
Brick lining for combustible wall	cm	10
<b>Weight</b>		
Fireplace / combustion chamber	kg	250 / 68
<b>Meets requirement/limit values for:</b>		
Germany/ Austria / Switzerland / Norway		1.BImSchV (Stufe 2) / 15a BVG (2015) / LRV / -

- 1) Indications to "Rated power" determined with metallic reheating surface  
 2) for fireplace inserts / flue gas pipe / metallic reheating surface  
 3) Values determined with upper air cross-sections; stove cladding is heat emitting.