

Installation guide

Panorama- Kamin 51/66/50/66 with support bracket

©2020

BRUNNER[®]
made in germany.

CONTENTS

1	Basic informations.....	3
2	Product description.....	4
3	Delivery contents.....	4
4	Description of parts.....	5
4.1	Components.....	5
4.2	Upper frame.....	5
4.3	Fire table and covers.....	6
4.4	Fireplace door.....	6
4.5	Combustion chamber lining.....	7
4.6	Body.....	7
4.7	Heat protection panels (I047176 / I047177).....	8
4.8	Support bracket.....	8
5	Installation.....	9
5.1	Transport protection removal.....	9
5.2	Alignment of the fireplace insert.....	10
5.3	Mounting frame supports.....	11
5.4	Assembly of combustion chamber linings.....	11
5.5	Inserting of deflector plate.....	13
5.6	Adjustment of the heat protection panel.....	14
5.7	Changing the smoke outlet position.....	15
6	Drawings and technical data.....	

1 BASIC INFORMATIONS



All instructions delivered with products must be observed. We do not accept any warranty claim or liability for damage resulting from failure to observe these installation instructions!
Improper installation can cause injury and material damage!

The installation may only be carried out by a registered specialist.

Fireplaces equipped with a water boiler must be pressure-tested after hydraulic connection to the heating system. Masonry work may follow only after this pressure test. Ulrich Brunner GmbH does not cover any costs incurred by necessary dismantling of masonry for rework at water boiler installation or replacement of the boiler.

The floor space of the room must have a suitable structure and sufficient dimensions to ensure proper functioning of the fireplace.

Please note that other installation and assembly instructions are included in other packaging units!

Dimensioning of downstream heat accumulator must be according to valid stove-setting rules.

During installation of the fireplace, all dimensions and minimal clearances of the fireplace casing must be held as specified by the manufacturer.

Fireplaces that meet the requirements of DIN EN 13240 or DIN EN 13229 and that can only be operated as intended with closed combustion chamber door or that have a self-closing firebox door are suitable for multiple occupancy.

All binding national or EU standards and local regulations for the installation of fireplaces must be observed.

All valid stove fitting rules and regulations of local construction law must be observed and followed.

Please follow the relevant regulations of your country.

When these instructions are followed and all works are done properly, this will ensure a safe, energy-saving and environmentally friendly operation of the stove. Pictures shown are not to be considered as complete representations of any kind.

Subject to technical and assortment changes.

Please notify your supplier of any damage which might have occurred during transport.

Please keep these instructions.

Please also take note of the online product documentation provided by:



[General instructions of the Brunner products installation for the stove construction.](https://www.brunner.de/Allgemein/Allgemeine_Hinweise_für_den_Aufbau_en.pdf)

(https://www.brunner.de/Allgemein/Allgemeine_Hinweise_für_den_Aufbau_en.pdf)



2 PRODUCT DESCRIPTION

Fireplaces manufactured by Ulrich Brunner GmbH are designed and approved as self-closing devices according to EN 13229.

Combustion air is supplied through a provided connecting piece. The volume of supplied combustion air can be controlled by using a combustion air controller. These fireplaces are designed for closed installation without any vent openings (hypocaust principle). The hypocaust design must ensure uninterrupted transfer and even distribution of heat inside the stove casing, preventing all parts of the heating chamber from overheating. Dimensioning of heat projecting walls of the casing must be adjusted to performance data of the heating device. Thickness of insulation for building walls surrounding the fireplace as stated in technical data has been determined during continuous operation with open air vents (safety test according to EN 13229 - heat transfer coefficient of the tested wall at 0,7 W/m²K), and must be adjusted for different conditions (for example, by providing air cooling for walls).

When installing electric or electronic parts (controllers, sensors, cables...) or water-conducting parts, please consider the max. permitted temperatures for these components.

When setting up a hypocaust system with a lifting door fireplace, please keep in mind that the temperature for pulleys of the door lifting mechanism must not exceed 150°C.

Hood	Door	Reheating surface	Designation	Operation mode	Chimney	Start-up flap	Damper flap
steel hood	self-closing	-	EN 13229 W	rated load	multiple connection	-	Yes

3 DELIVERY CONTENTS

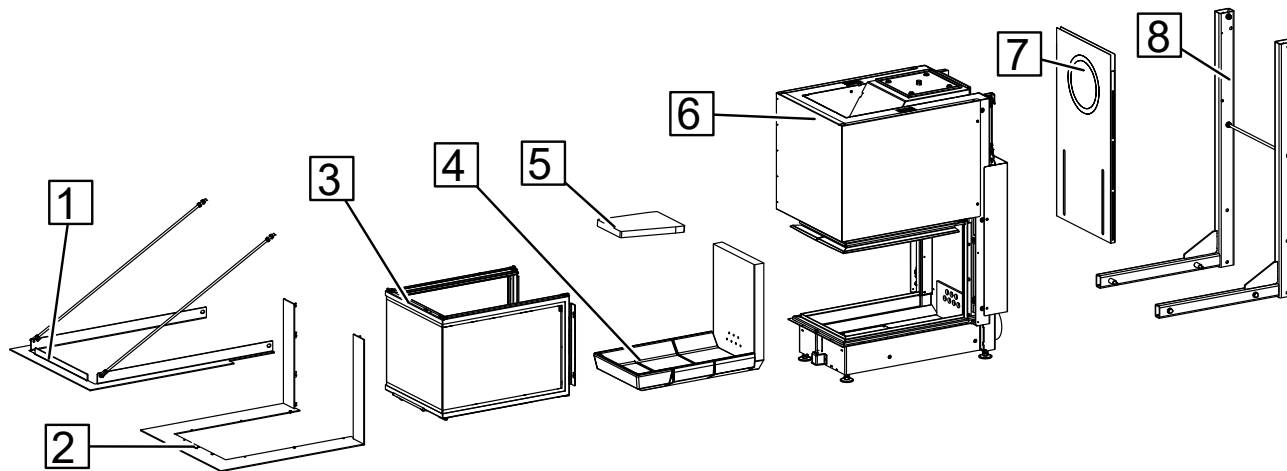
The fireplace is delivered on a disposable pallet. The fireclay combustion chamber linings are delivered in a cardboard box on a separate pallet. Parts of deflector plate (if fitted) are stowed inside the combustion chamber.

All necessary accessories used for opening and cleaning of the glass door are inside the unit.

Outside on the protective packaging, you can find a label with detailed description of fireplace type. Please check the contents of your delivery! Any damage occurred during transport or missing parts must be immediately indicated to the supplier!

4 DESCRIPTION OF PARTS

4.1 COMPONENTS



Pos.	Article No.	Designation	Pcs.	Pos.	Article No.	Designation	Pcs.
1	I047169-01	Upper frame	1	2	I047072	Firetable	1
3	I047031-1	Door	1	4	I047130	Combustion chamber lining	1
5	I047162	Deflector	1	6	I071008	Body	1
7	I047176 / I047177	Heat protection panels	2	8	I072061	Support bracket	1

4.2 UPPER FRAME

Item	Designation	Part No	Pcs.
1.1	M10 threaded rod	I047170	2
1.2	Upper frame	I047077-1	1

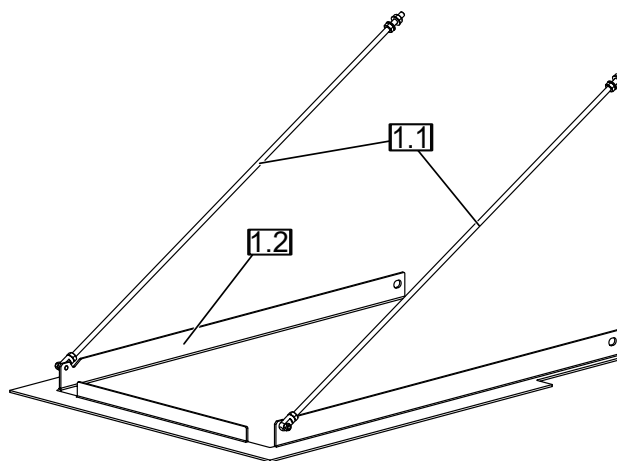


Illustration 1: Upper frame

4.3 FIRE TABLE AND COVERS

Item	Designation	Part No.	Pcs.
2.1	Fire table	I047121-1	1
2.2	L-R side cover	I047073-1	2

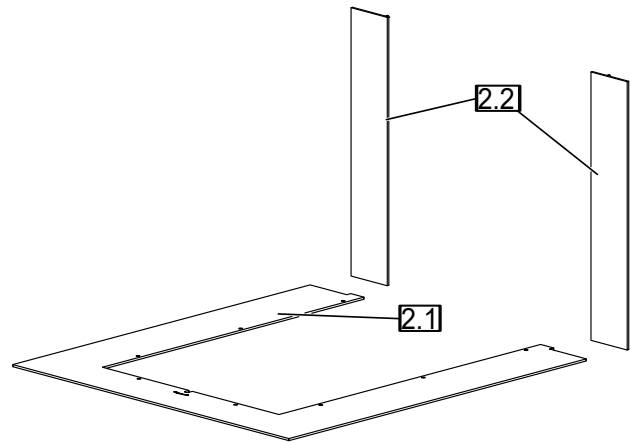


Illustration 2: Fire table and side covers

4.4 FIREPLACE DOOR

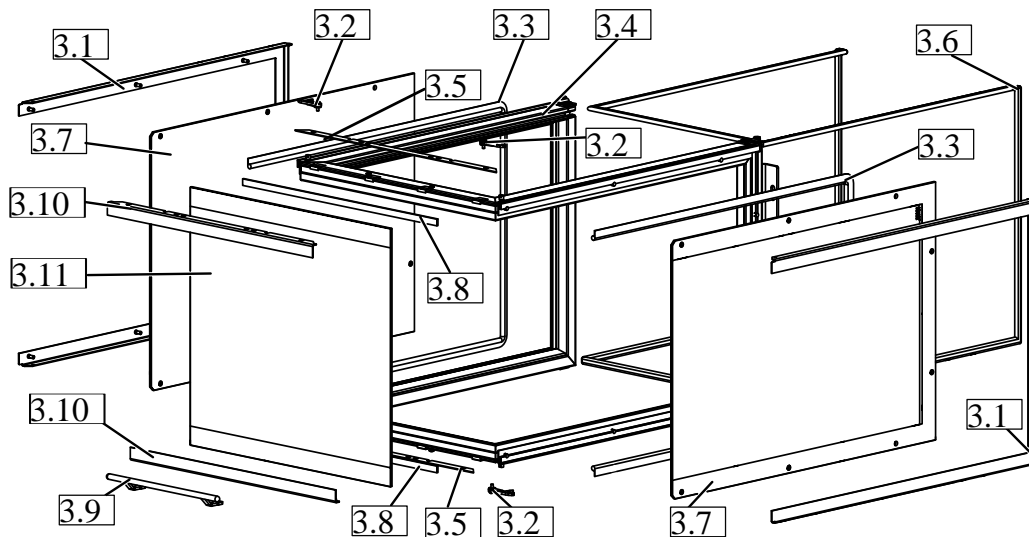


Illustration 3: Fireplace door

Item	Designation	Part No.	Pcs.	Item	Designation	Part No.	Pcs.
3.1	Glass pane frame	I047.057	2	3.2	Spring lock	I007341	4
3.3	Glass pane frame gasket	I047056	2	3.4	Door frame	I047035	1
3.5	Compensation bar	I047039	2	3.6	Gasket between door and front	I047058	1
3.7	Glass pane L-R	I047052-1	2	3.8	Front glass pane internal gasket	I047060	2
3.9	Door handle	I007258	1	3.10	Middle glass pane holder	I047033-01	2
3.11	Middle glass pane	I047032-1	1				

4.5 COMBUSTION CHAMBER LINING

Pos.	Bezeichnung	Teilenr.	Stk.
4.1	Rear wall stone	I048179	1
4.2	Rear bottom stone	I048176	2
4.3	Front bottom stone	I048186	1

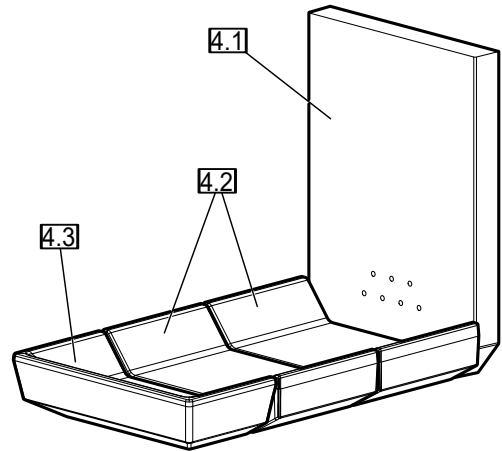


Illustration 4: Combustion chamber lining

4.6 BODY

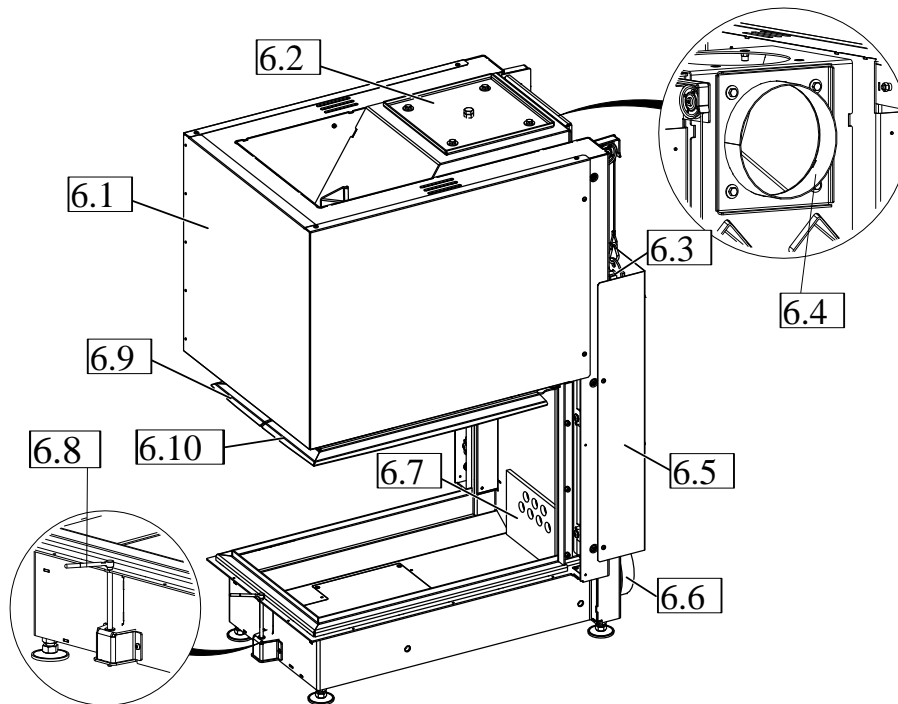


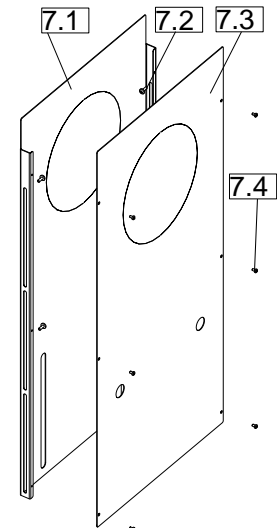
Illustration 5: Body

Item	Designation	Part No.	Pcs.	Item	Designation	Part No.	Pcs.
6.1	Hood metal shaft	I047111	1	6.2	Flue gas cover complete	I048116	1
6.3	Counter weight	I047080	1	6.4	Replacable connecting piece D=200	I019449	1
6.5	Cable shaft	I047083	1	6.6	Air supply connection	I046109	1
6.7	Fiber mat air nozzle	I048107	1	6.8	Air actuator Panorama	I007237	1

Item	Designation	Part No.	Pcs.	Item	Designation	Part No.	Pcs.
6.9	Air distributor left	I047139	1	6.10	Air distributor right	I047145	1

4.7 HEAT PROTECTION PANELS (I047176 / I047177)

Item	Designation	Part No.	Pcs.
7.1	RW rear wall heat protection panel	I047176	1
7.2	Torx M5x12 pan head panel		4
7.3	RW 2 rear wall heat protection panel	I047177	1
7.4	Torx D3.5x6.5 tapping screw		6



4.8 SUPPORT BRACKET

Pos.	Bezeichnung	Teilenr.	Stk.
8.1	M12x100 hexagon screw with washer		4
8.2	Spacer	I048199	4
8.3	Support bracket left side	I072062	1
8.4	Support bracket right side	I072064	1
8.5	Support bracket clamping unit	I048198	1
8.6	M12x80 eyebolt with washer and nut		2

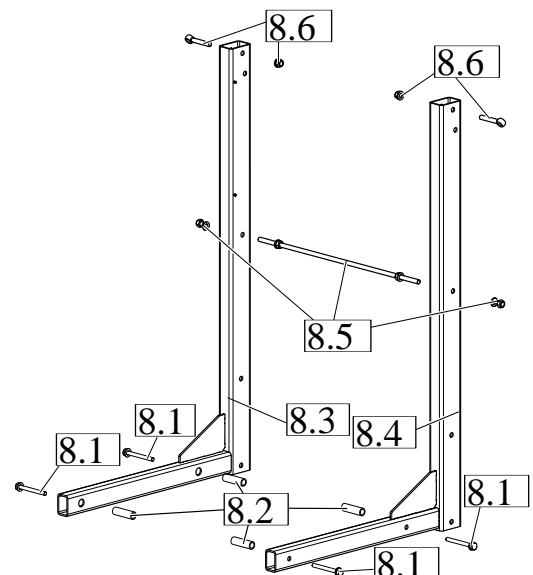


Illustration 6: Support bracket

5 INSTALLATION

5.1 TRANSPORT PROTECTION REMOVAL

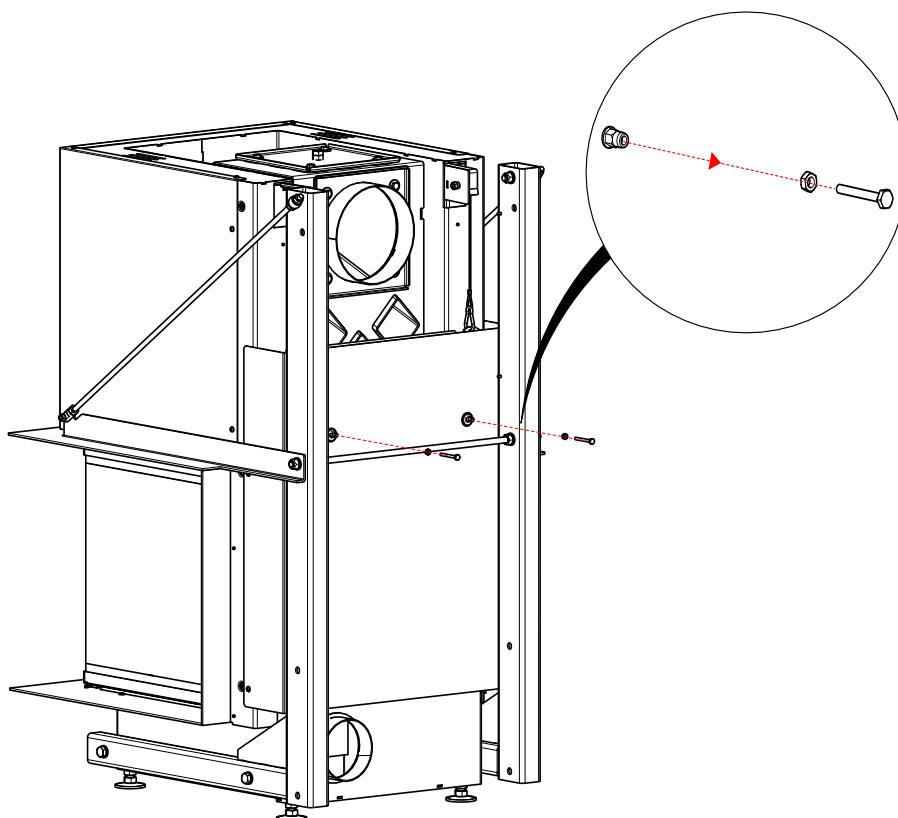


Illustration 7: Transport protection removal

5.2 ALIGNMENT OF THE FIREPLACE INSERT

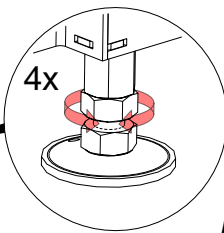
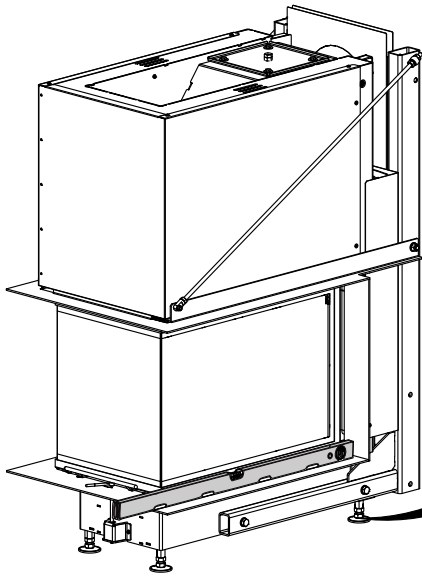


Illustration 8: Align step 1

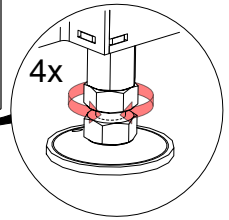
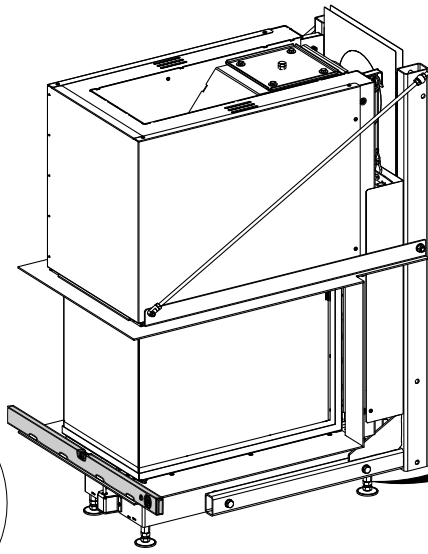


Illustration 9: Align step 2

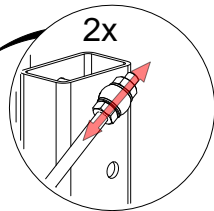
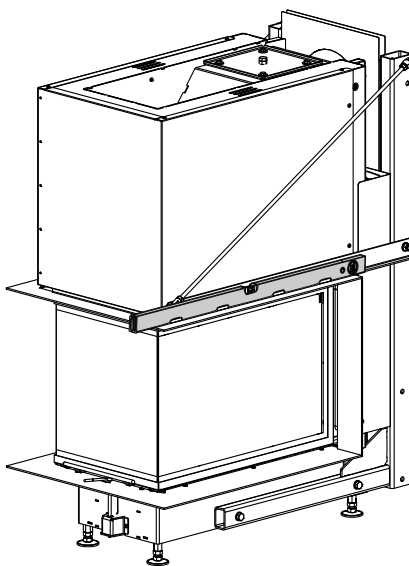


Illustration 10: Align step 3

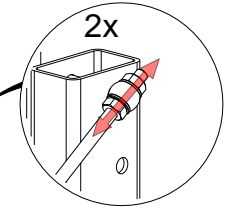
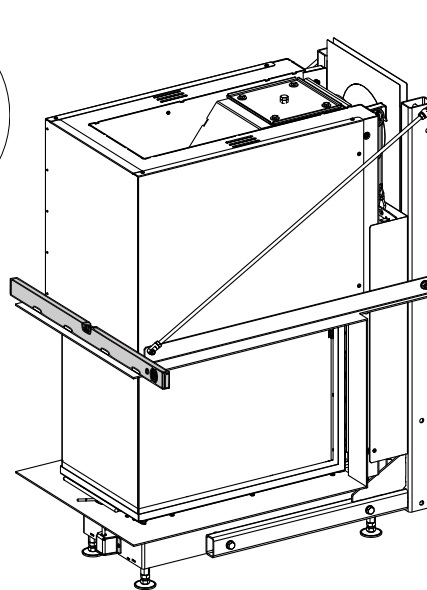


Illustration 11: Align step 4

5.3 MOUNTING FRAME SUPPORTS

Fitted to the insert and decoupled from heat, the support bracket makes it easy to install. The mounting frame supports are permanently fitted to the fireplace insert.

The mounting frame can be suspended on the support bracket in the rear part of the fireplace (1) or on the ceiling above (2).

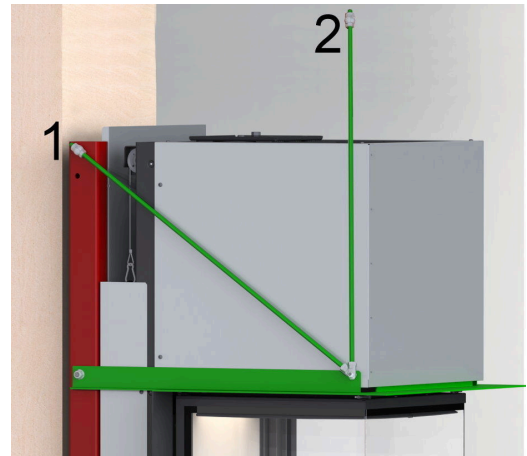


Illustration 12: Schematic view

5.4 ASSEMBLY OF COMBUSTION CHAMBER LININGS

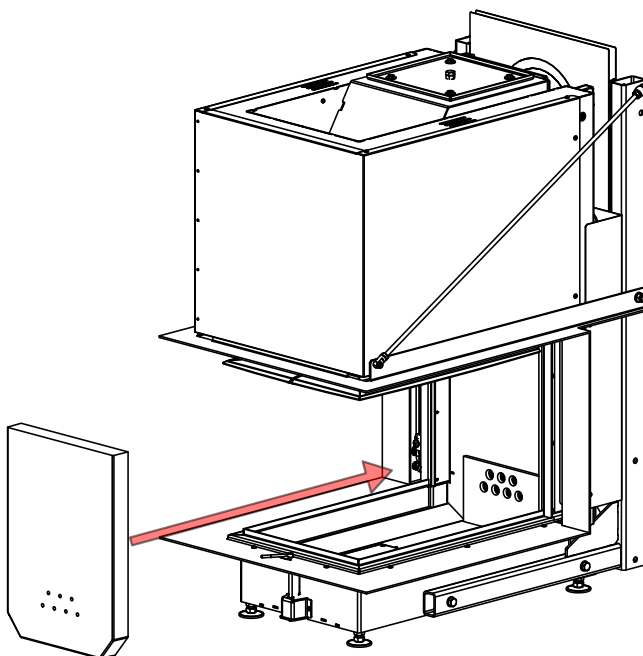


Illustration 13: Rear wall of combustion chamber

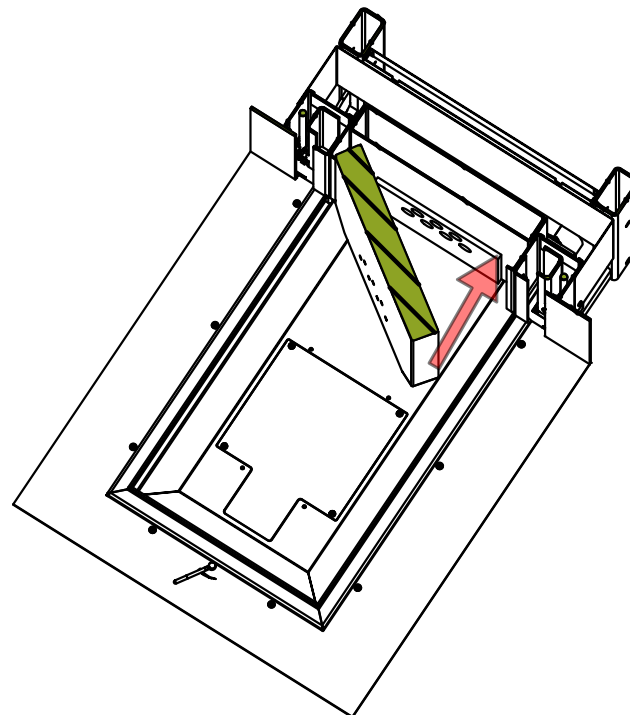


Illustration 14: Inserting the rear wall plate

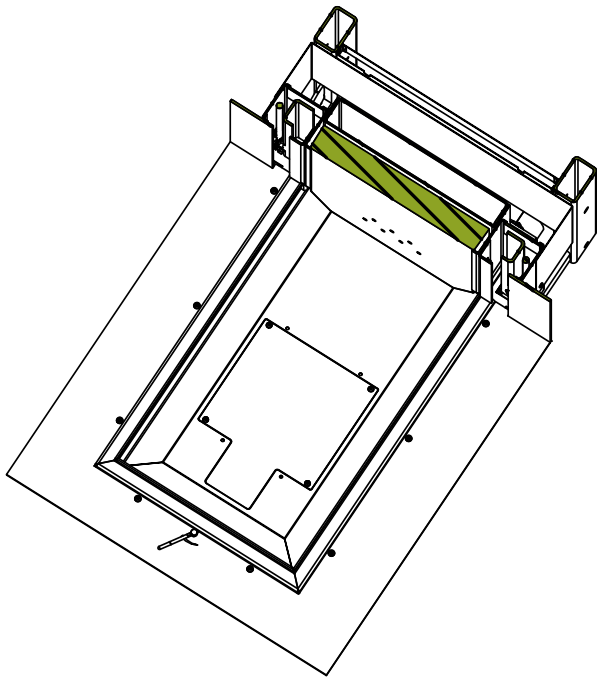


Illustration 15: Rear wall positioning

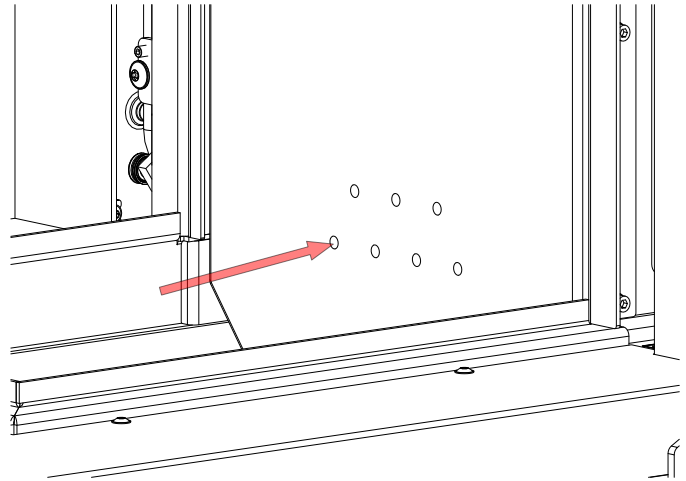


Illustration 16: Check for correct position of air nozzles

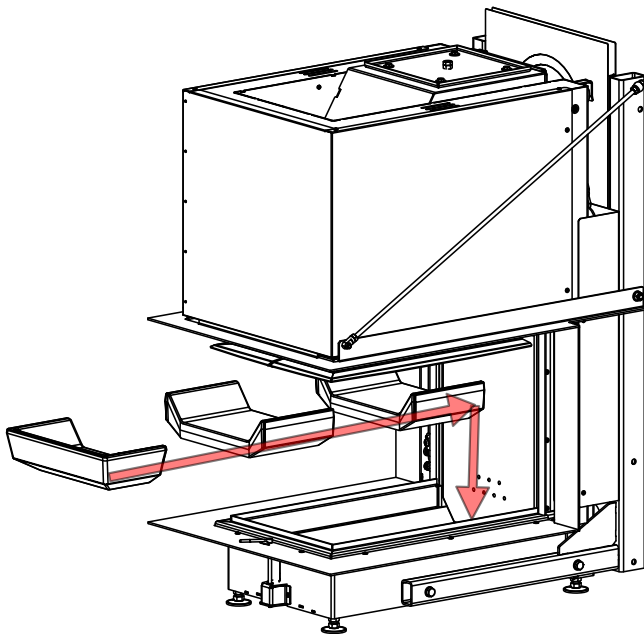


Illustration 17: Inserting the bottom plates

5.5 INSERTING OF DEFLECTOR PLATE

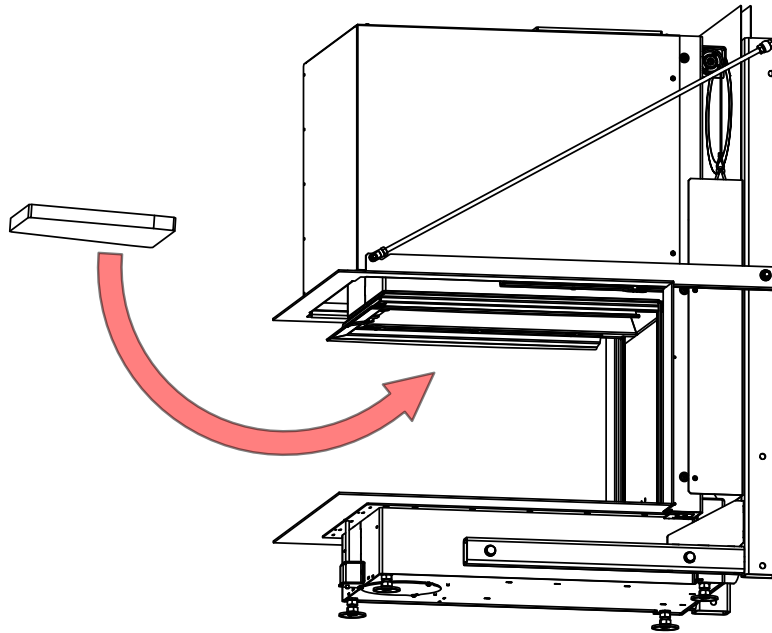


Illustration 18: Inserting the deflector plate

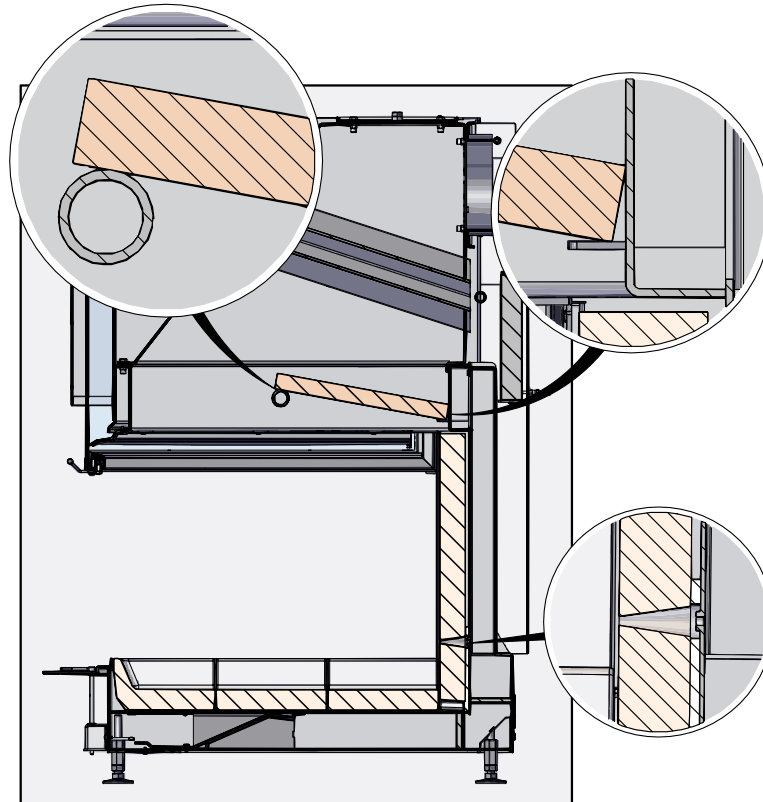


Illustration 19: Deflector plate positioning

5.6 ADJUSTMENT OF THE HEAT PROTECTION PANEL

Standard position of the heat protection panel

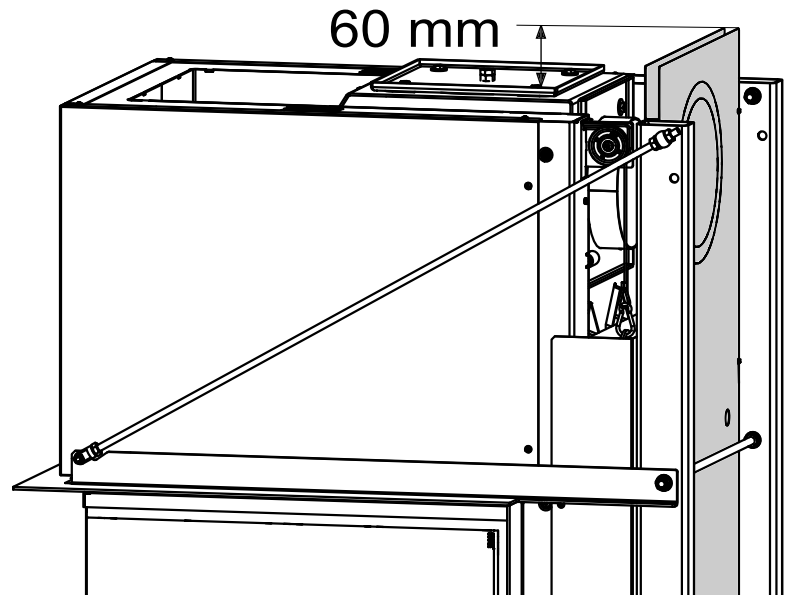


Illustration 20: Position of the heat protection shield

1. Remove the 6 fastening screws

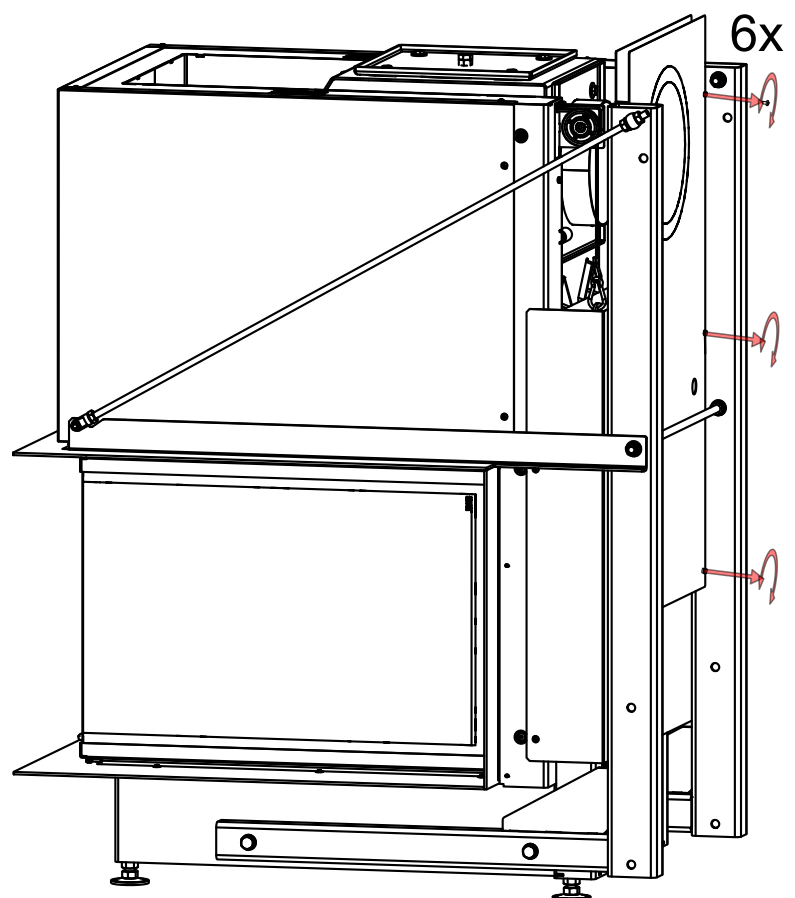


Illustration 21: Step 1

2. Remove the heat protection panel RW 2
3. Loosen the 4 screws on the side and fix the RW4 heat protection panel.
4. Tighten the 4 screws on the side and mount the heat protection panel RW 2

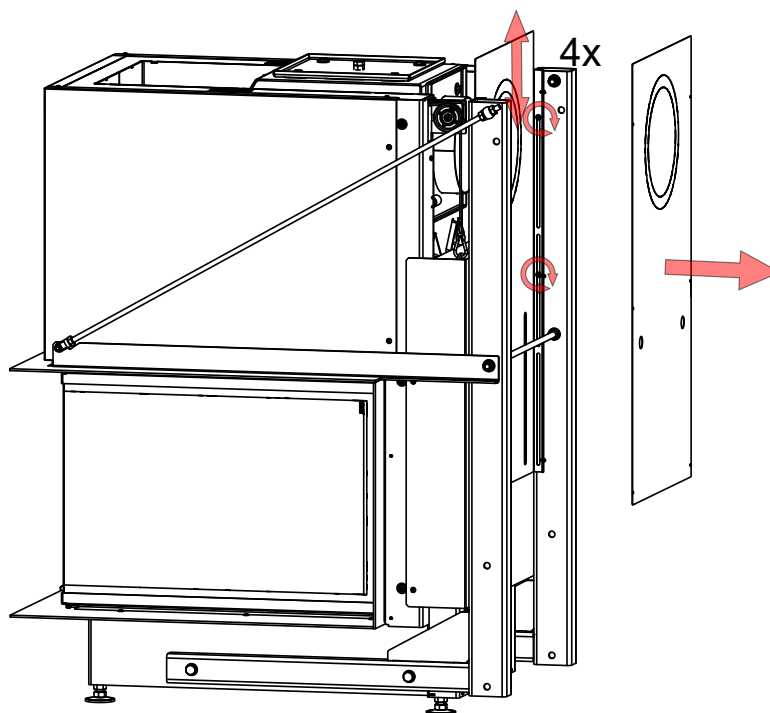


Illustration 22: Steps 2 - 4

5.7 CHANGING THE SMOKE OUTLET POSITION



Be careful to avoid damage of gaskets!
Watch the correct position of the gaskets!

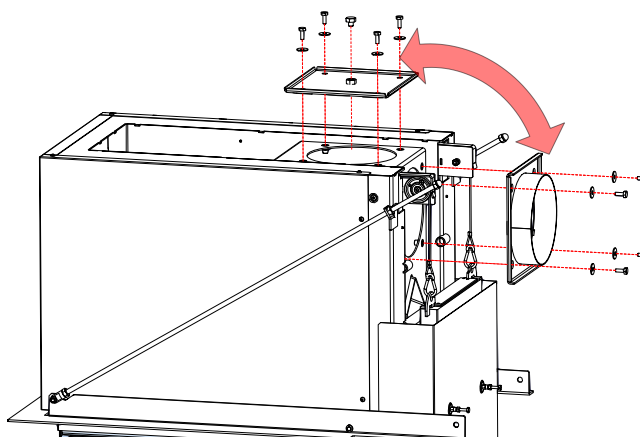
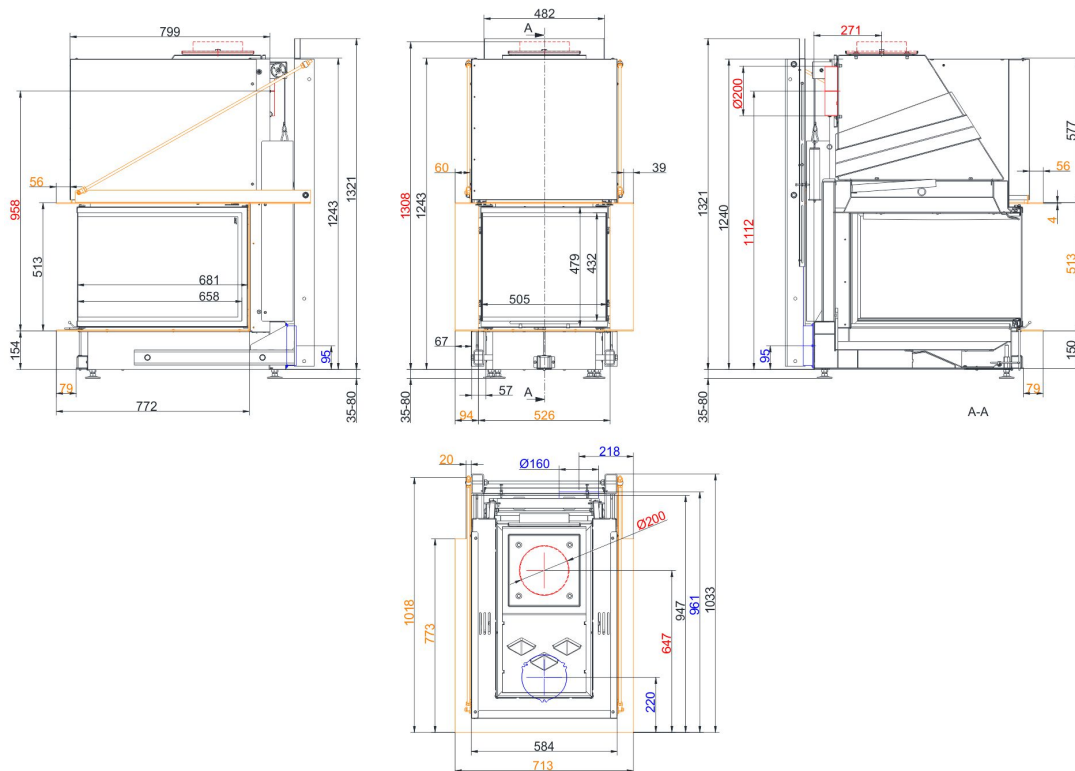
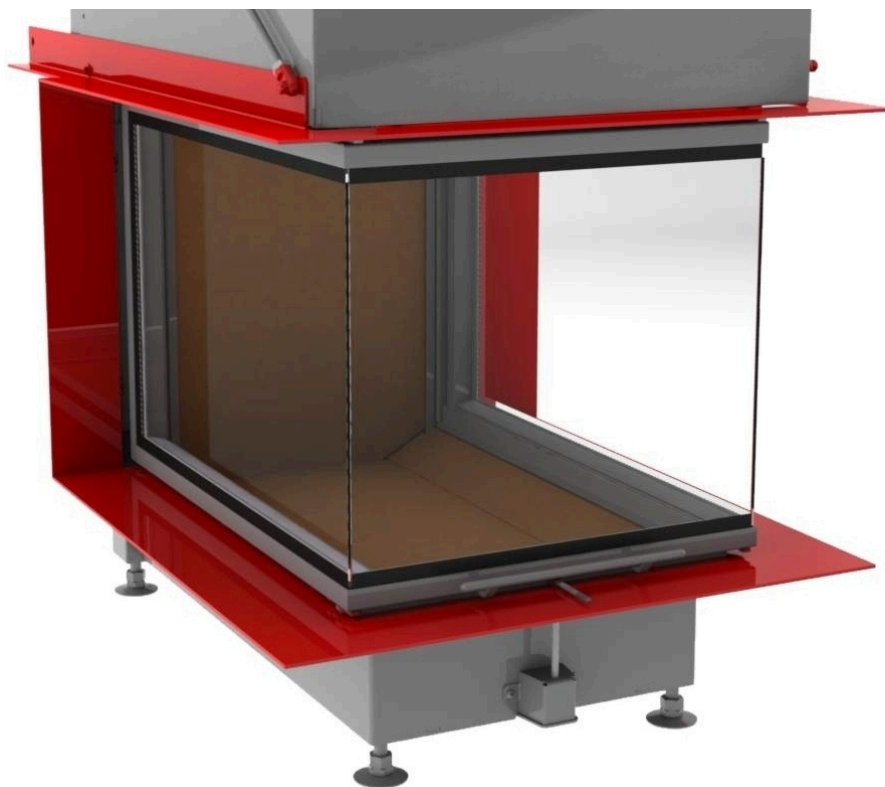


Illustration 23: changing the smoke outlet position

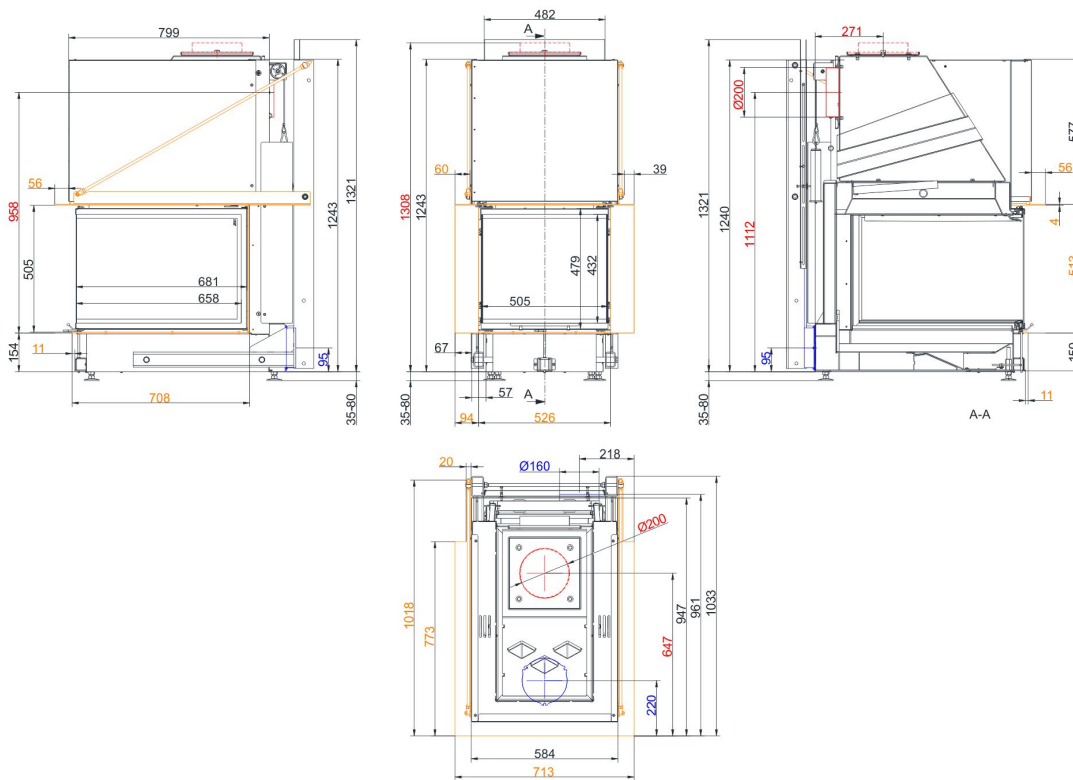
Dimension sheets - Panorama-Kamin 51/66/50/66 with support bracket



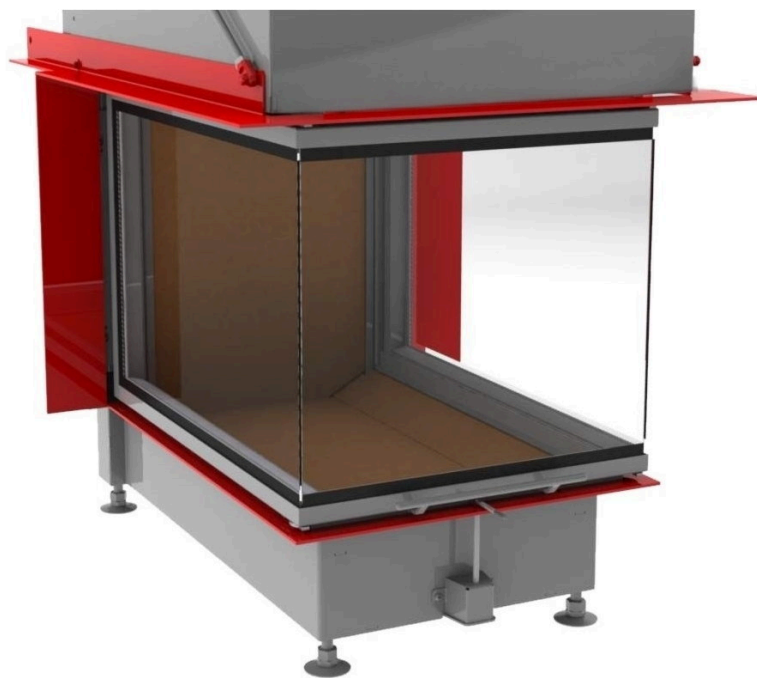
... with firetable frame wide



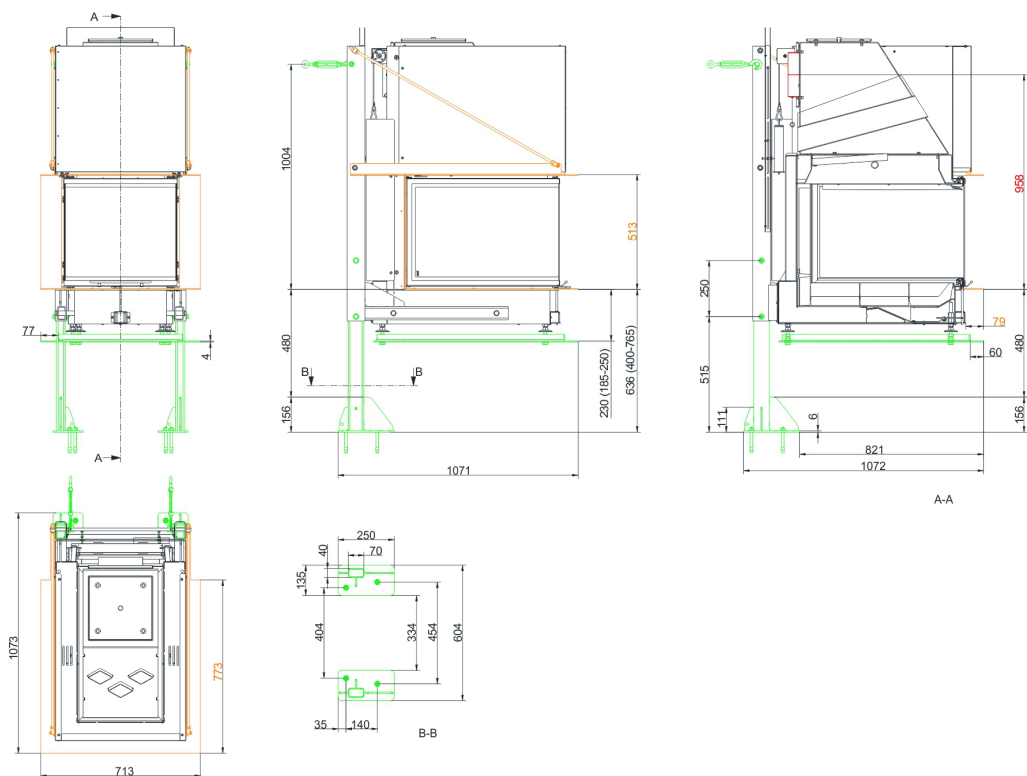
Dimension sheets - Panorama-Kamin 51/66/50/66 with support bracket



... with firetable frame narrow



Dimension sheets - Panorama-Kamin 51/66/50/66 with support bracket



... suspended firetable

We suggest for CAD planning Palette CAD. Permanent updated drawings: www.brunner.de
 Frames /flue gas outlet connection/ combustion air supply connection/ front variants are marked in color.

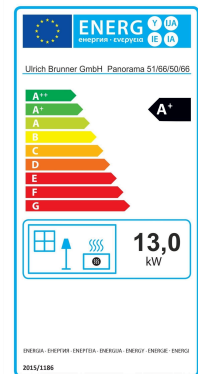
Planning and installation - Panorama-Kamin 51/66/50/66 with support bracket

Tested according to		EN 13229 W
Values measured at		Rated capacity ¹⁾
Suitable for all construction types according to rules		OK
Data for functional demonstration		
Rated heat power	kW	13
Fire wood volume	kg/h	4.1
Combustion performance	kW	17
Flue gas mass flow	g/s	12
Flue gas temperature after:		
metallic hot air hood	°C	220
Necessary supply pressure	Pa	12
Combustion air consumption	m ³ /h	45
Combustion air connection Ø	mm	160
Heat distribution		
Insert / reheating surface	%	50 / -
Glass pane (single / double)	%	50 / -
Cross-section of gratings ²⁾		
Convection air	cm ²	1000 / - / -
Supply air	cm ²	1000 / - / -
Minimal distances of the fireplace		
to cladding, insulation layer	cm	0
to mounting floor	cm	3
Thermal insulation with air gratings ³⁾		
Mounting wall	cm	5
Floor	cm	0
Ceiling	cm	18
Brick lining for combustible wall	cm	10
Weight		
Fireplace / combustion chamber	kg	235 / 45 / -
Meets requirement/limit values for:		
Germany/ Austria / Switzerland / Norway		1.BImSchV (Stufe 2) / 15a BVG (2015) / LRV / NS 3059

- 1) Indications to "Rated power" determined with metallic reheating surface
- 2) for fireplace inserts / flue gas pipe / metallic reheating surface
- 3) Insulation material Promasil 950KS, values determined with the above air cross-sections and integrated heat protection panels mounted in front of the warm air hood with exhaust pipe, fireplace cladding heat emitting. At closed fireplace cladding, 12 cm insulation to the mounting wall

Product data sheet according to (EU) 2015/1186:

Supplier's name or trademark	Ulrich Brunner GmbH
Model identifier:	Panorama-Kamin 51/66/50/66
Energy efficiency class:	A+
Direct heat output:	13,0 kW
Indirect heat output:	N.A. kW
Energy efficiency index:	109
Fuel energy efficiency (at nominal heat output):	82,0 %
Fuel energy efficiency (at minimum load):	N.A. %
Special precautions: see supplied product documentation	



Ulrich Brunner GmbH
Zellhuber Ring 17-18
D-84307 Eggenfelden
Tel.: +49 (0) 8721/771-0 / Fax: +49 (0) 8721/771-100
Email: info@brunner.de

Technical and assortment changes as well as errors and misprints reserved.
Reprinting and reproduction, even in part, only with the express permission of the publisher.

Art.Nr.: 202681