

FIREPLACE INSERTS FROM BRUNNER



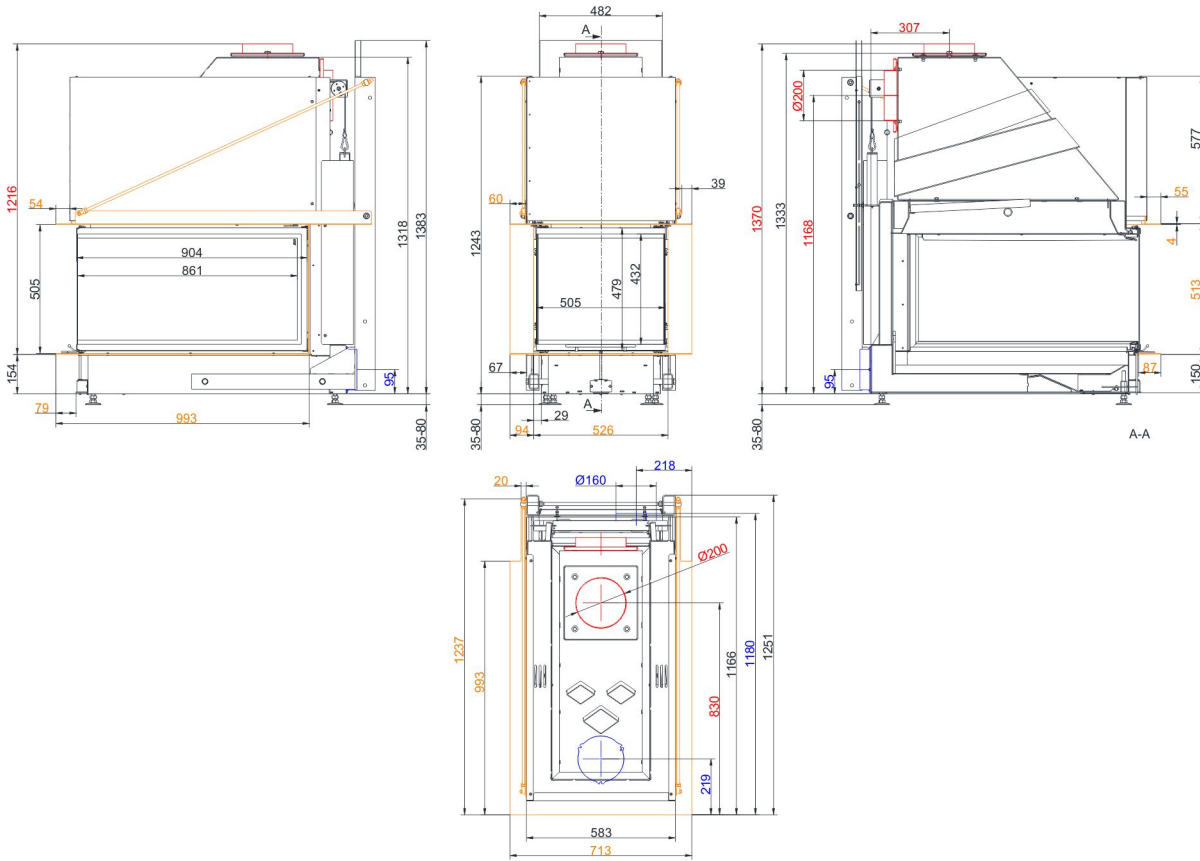
Panorama-Kamin 51/88/50/88 with support bracket

State: 2023-08-22

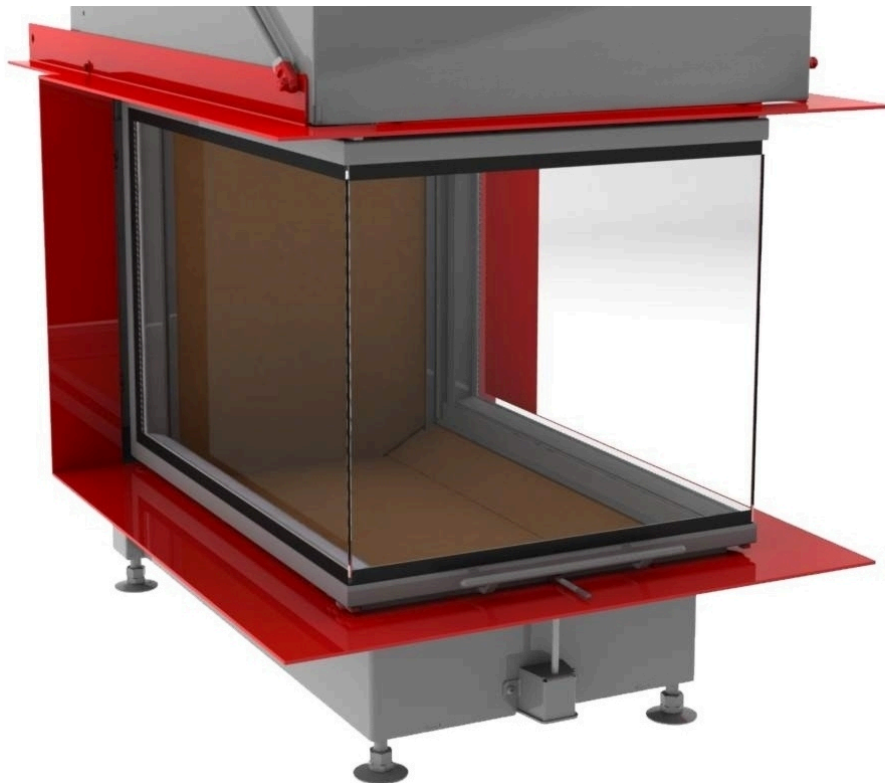


BRUNNER[®]
made in germany.

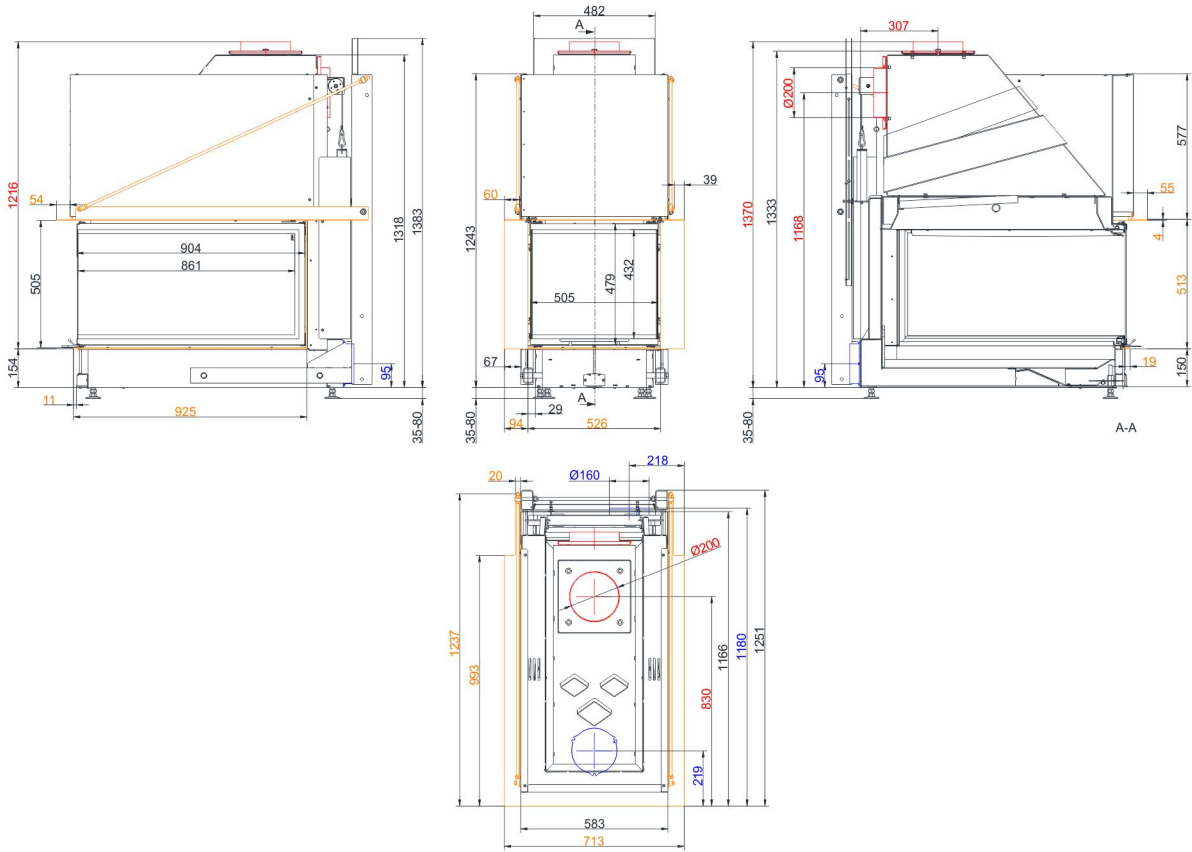
Dimension sheets - Panorama-Kamin 51/88/50/88 with support bracket



... with firetable frame wide



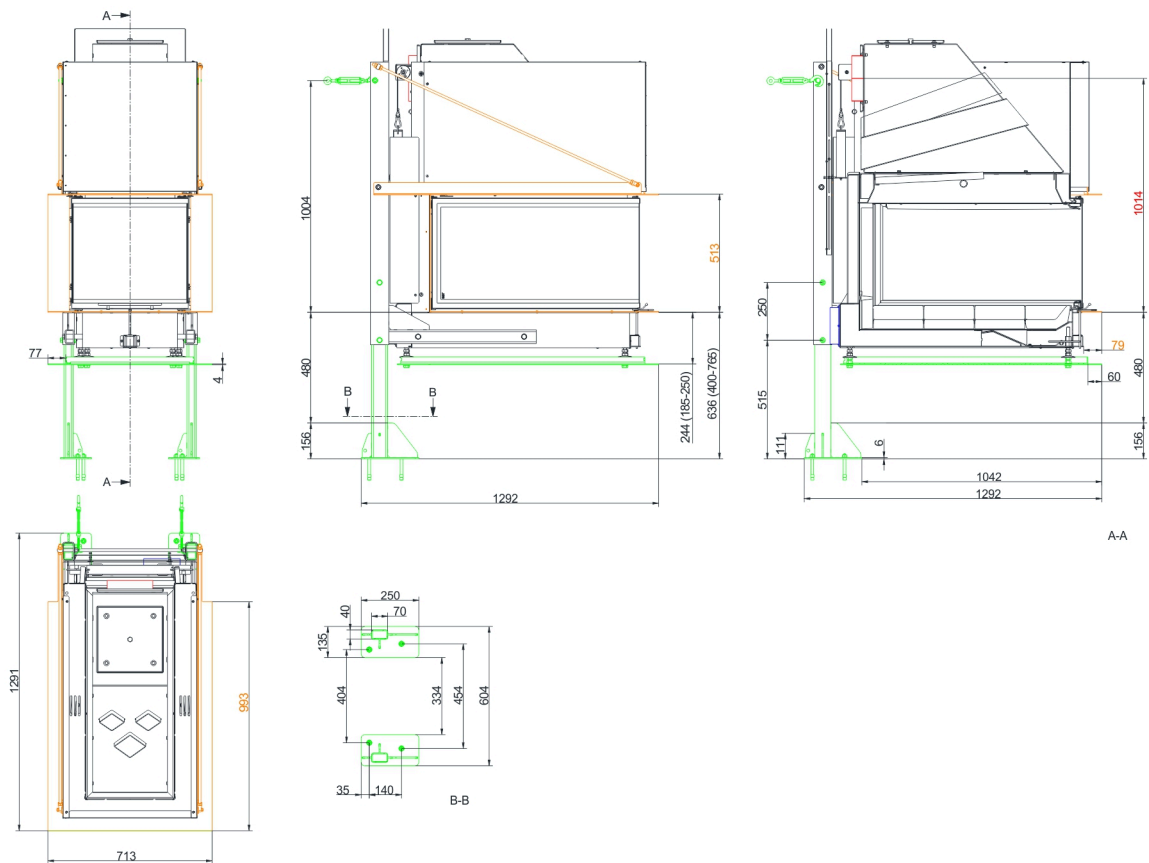
Dimension sheets - Panorama-Kamin 51/88/50/88 with support bracket



... with firetable frame narrow



Dimension sheets - Panorama-Kamin 51/88/50/88 with support bracket



... suspended firetable

We suggest for CAD planning Palette CAD. Permanent updated drawings: www.brunner.de

Frames/ flue gas outlet connection/ combustion air supply connection/ front variants/ support bearing are marked in color.

Planning and installation - Panorama-Kamin 51/88/50/88 with support bracket

Tested according to		EN 13229 W
Values measured at		Rated power ¹⁾
Suitable for all construction types according to rules		OK
Data for functional demonstration		
Rated heat power	kW	14.5
Fire wood volume	kg/h	4.1
Combustion performance	kW	17
Flue gas mass flow	g/s	12
Flue gas temperature after:		
metallic hot air hood	°C	220
Necessary supply pressure	Pa	12
Combustion air consumption	m ³ /h	45
Combustion air connection Ø	mm	160
Heat distribution		
Insert / reheating surface	%	50 / -
Glass pane (single / double)	%	50 / -
Cross-section of gratings ²⁾		
Convection air	cm ²	1000
Supply air	cm ²	1000
Minimal oven surface for closed construction type		
Heat dissipating surface	m ²	4
Minimal distances of the fireplace		
to cladding, insulation layer	cm	0
to mounting floor	cm	3
Thermal insulation with air gratings ³⁾		
Mounting wall	cm	5
Floor	cm	0
Ceiling	cm	18
Brick lining for combustible wall	cm	10
Weight		
Fireplace / combustion chamber	kg	270 / 45 / -
Meets requirement/limit values for:		
Germany/ Austria / Switzerland / Norway		1.BImSchV (Stufe 2) / 15a BVG (2015) / LRV / NS 3059

- 1) Indications to "Rated power" determined with metallic reheating surface
- 2) for fireplace inserts / flue gas pipe / metallic reheating surface
- 3) Insulation material Promasil 950KS, values determined with the above air cross-sections and integrated heat protection panels mounted in front of the warm air hood with exhaust pipe, fireplace cladding heat emitting. At closed fireplace cladding, 12 cm insulation to the mounting wall