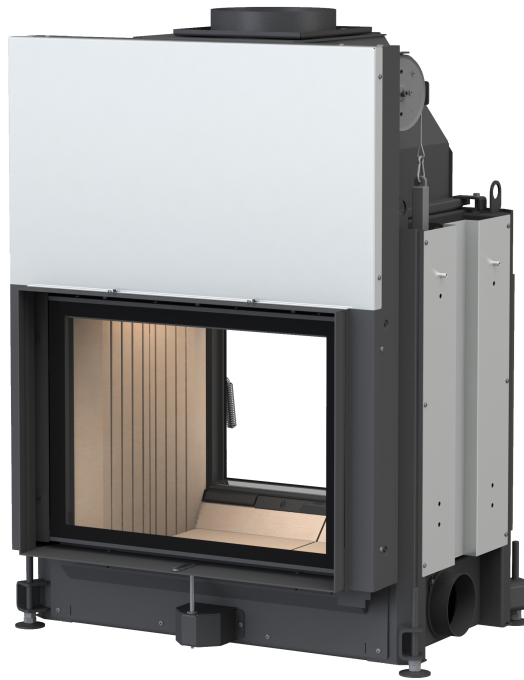


## FIREPLACE INSERTS FROM BRUNNER



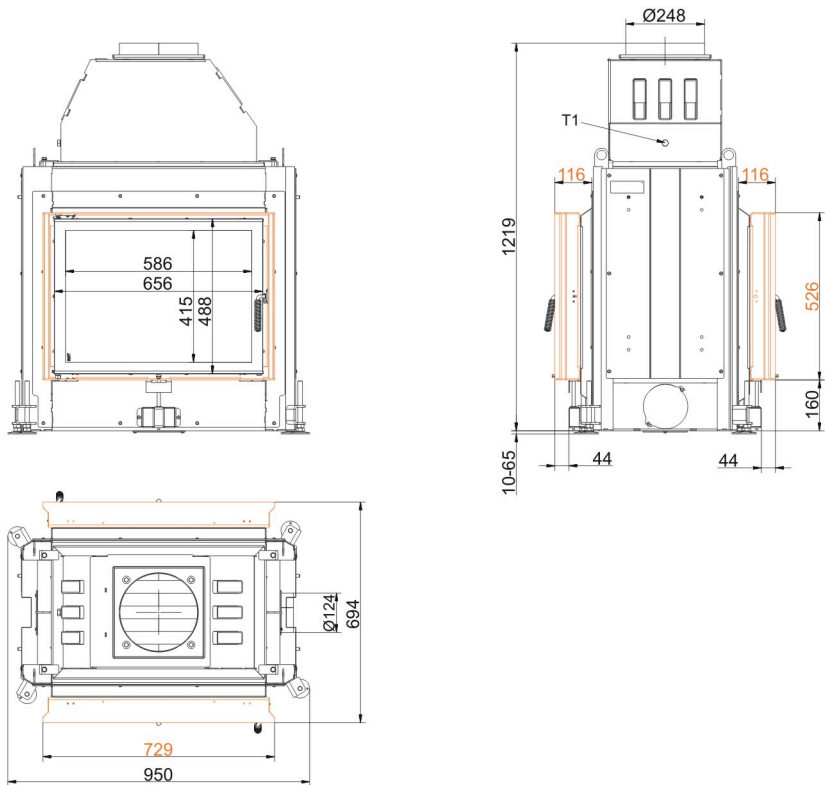
### Stil-Tunnel 51/67

State: 2023-08-23

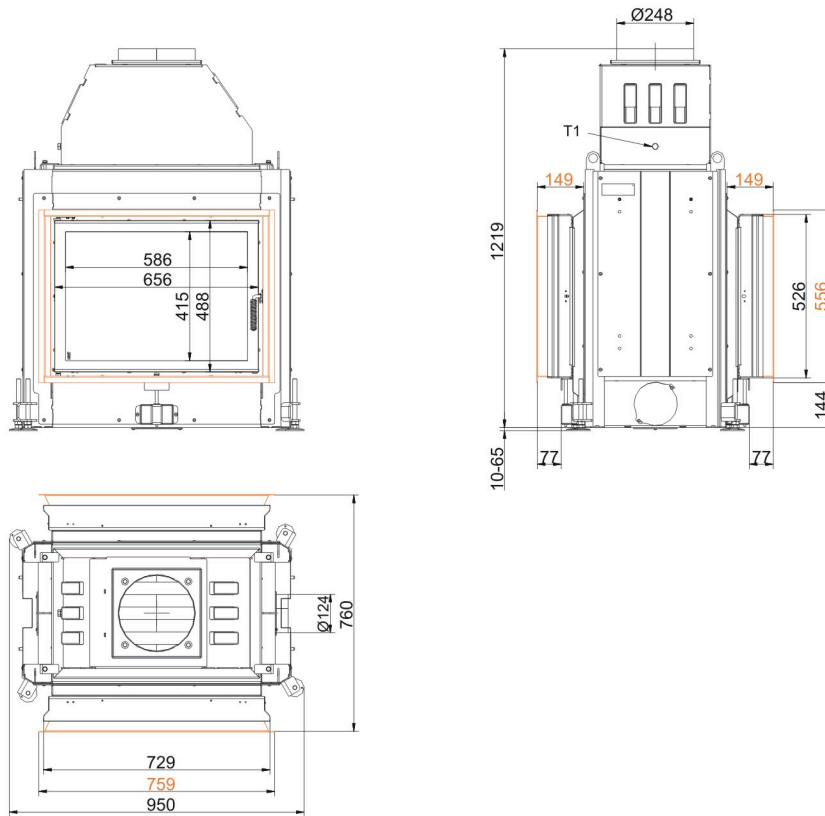


**BRUNNER**<sup>®</sup>  
*made in germany.*

# Dimension sheets - Stil-Tunnel 51/67

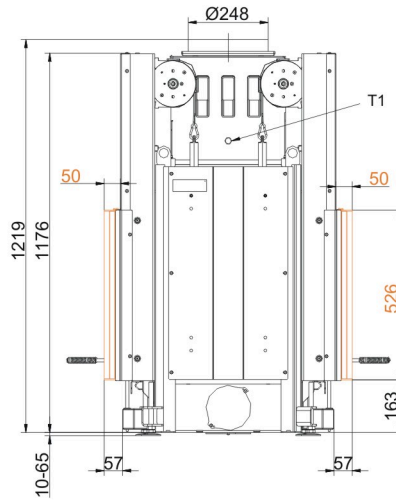
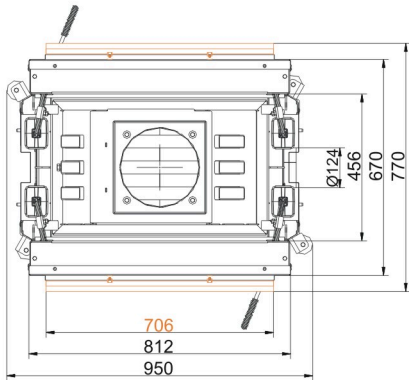
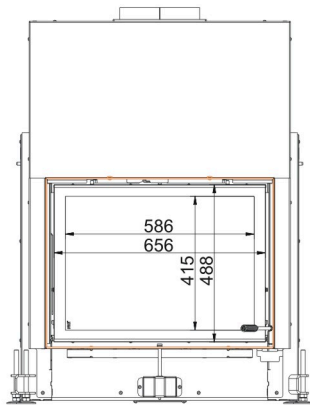


... side opening/side opening with mounting frame

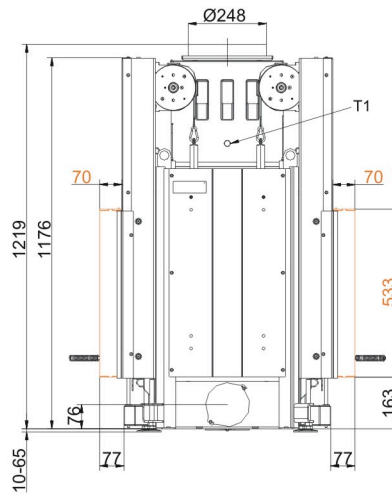
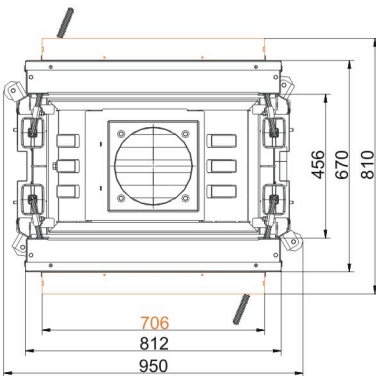
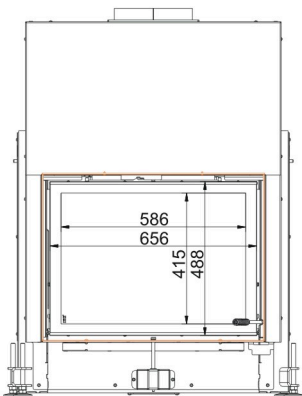


... side opening/side opening with door frame

# Dimension sheets - Stil-Tunnel 51/67

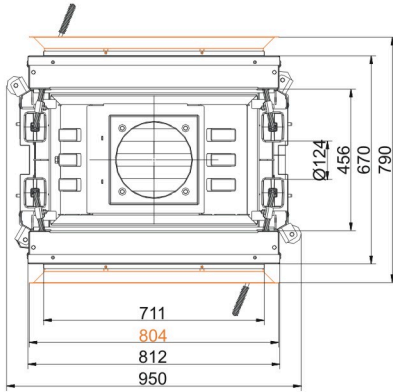
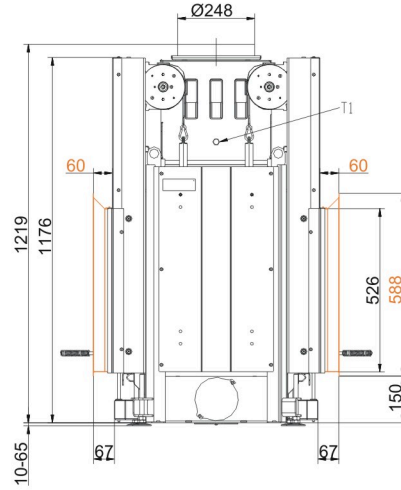
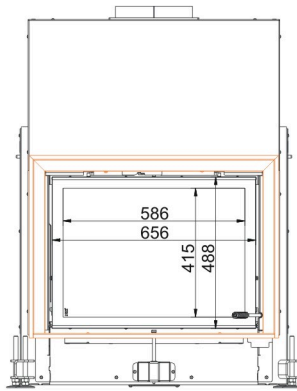


... side opening/side opening with mounting frame 50 mm

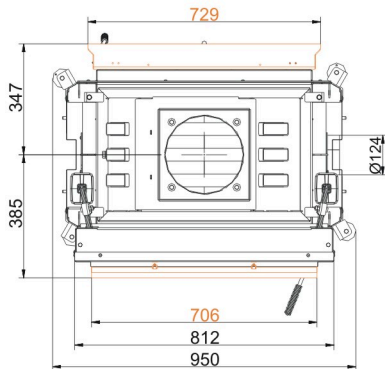
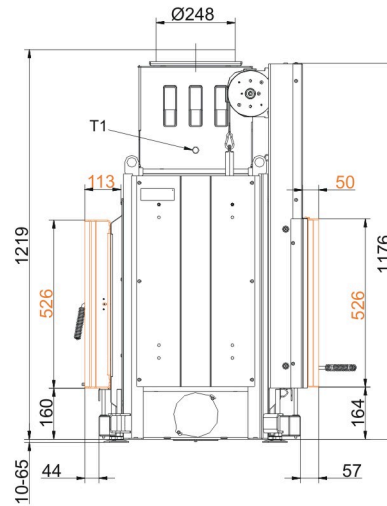
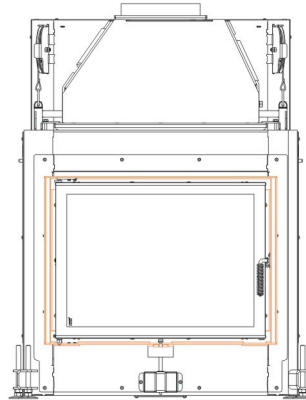
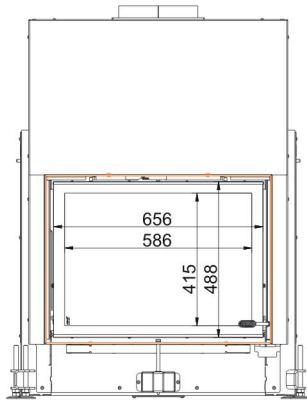


... side opening/side opening with mounting frame 70 mm

# Dimension sheets - Stil-Tunnel 51/67

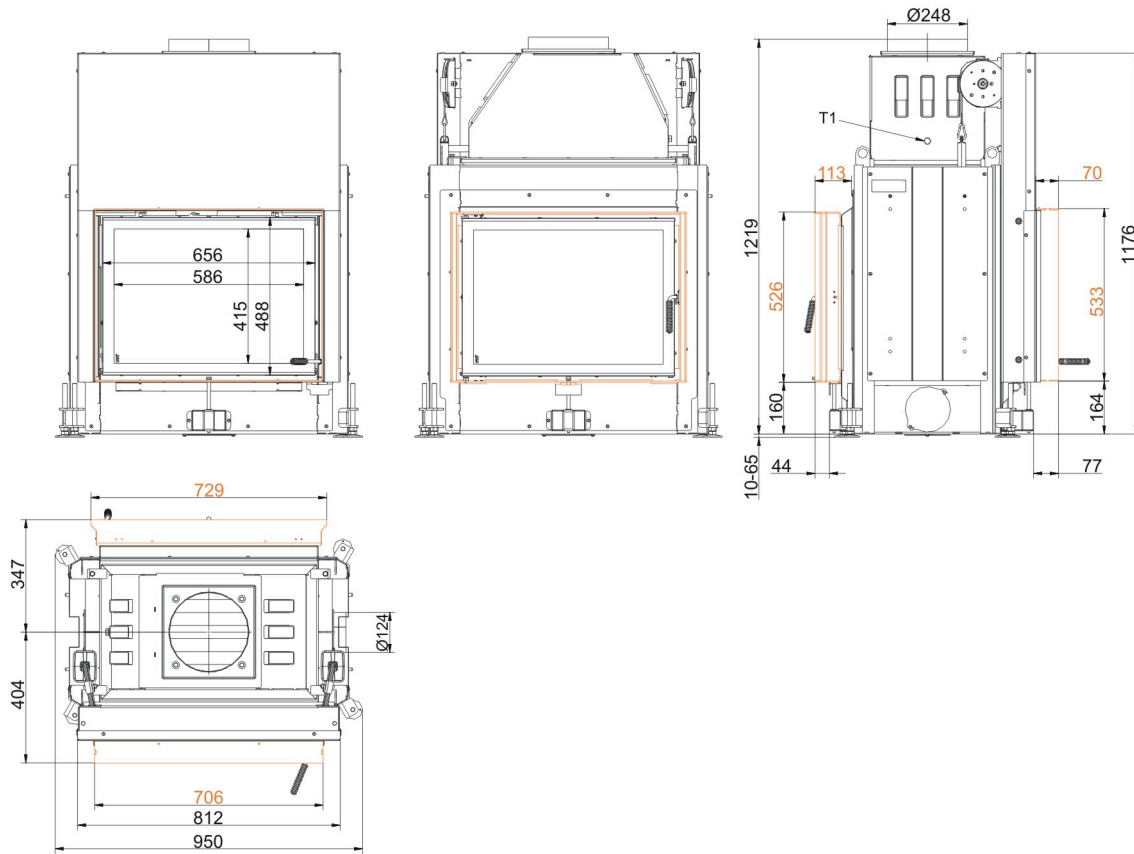


... side opening/side opening with door frame

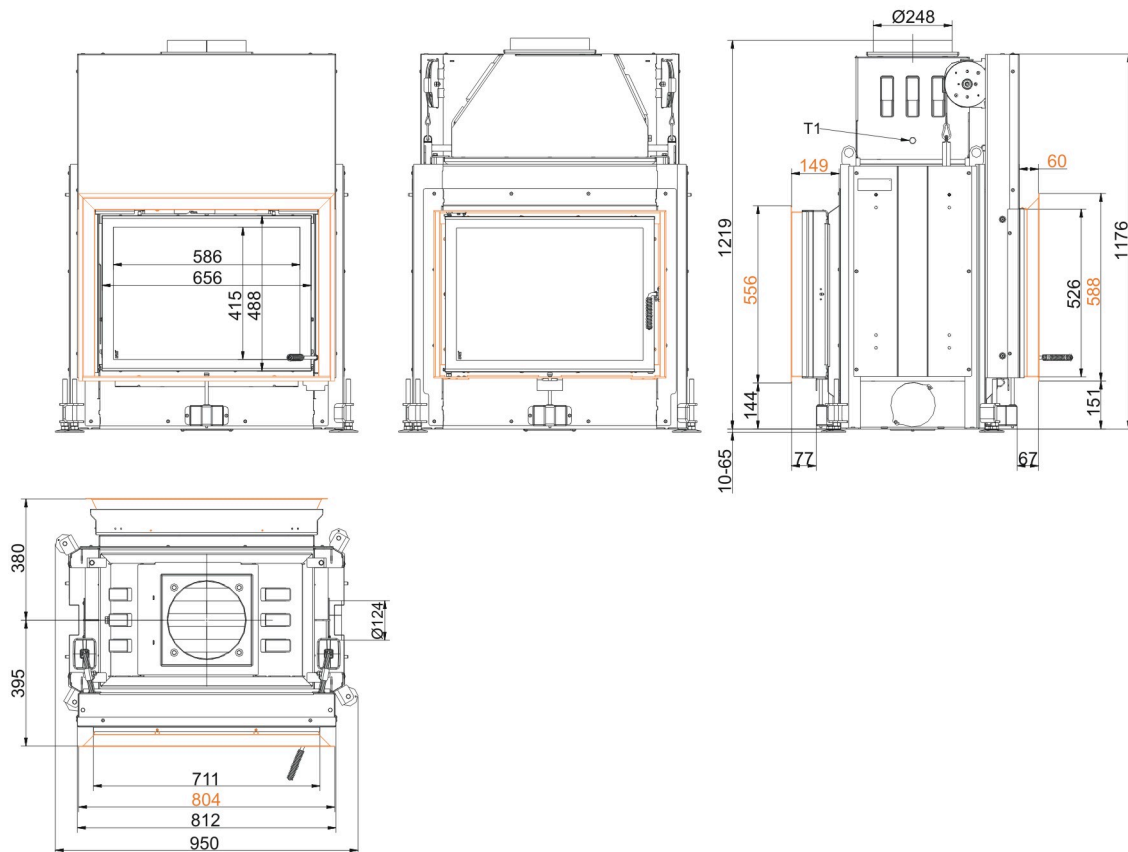


... lifting door/side opening with mounting frame 50 mm

# Dimension sheets - Stil-Tunnel 51/67



... lifting door/side opening with mounting frame 70 mm/mounting frame



... lifting door/side opening with door frame

We suggest for CAD planning Palette CAD. Permanent updated drawings: [www.brunner.de](http://www.brunner.de)  
 Frames/ flue gas outlet connection/ combustion air supply connection/ front variants/ support bearing are marked in color.

# Planning and installation - Stil-Tunnel 51/67

Tested according to		EN 13229 W	EN 13229 W
Values measured at		Rated power <sup>1)</sup>	Storage operation <sup>2)</sup>
Suitable for all construction types according to rules		OK	OK
<b>Data for functional demonstration</b>			
Rated heat power	kW	13	-
Fire wood volume	kg/h	4.1	5
Combustion performance	kW	16	23
Flue gas mass flow	g/s	10.4	22
Flue gas temperature after:			
metallic hot air hood	°C	220	250
Necessary supply pressure	Pa	12	13
Combustion air consumption	m <sup>3</sup> /h	40	40
Combustion air connection Ø	mm	125	125
<b>Heat distribution</b>			
Insert / reheating surface	%	50 / -	50 / -
Glass pane (single / double)	%	50 / -	50 / -
<b>Cross-section of gratings <sup>3)</sup></b>			
Convection air	cm <sup>2</sup>	700 / 200 / -	700 / 200 / -
Supply air	cm <sup>2</sup>	700 / 200 / -	700 / 200 / -
<b>Minimal oven surface for closed construction type</b>			
Heat dissipating surface	m <sup>2</sup>	5.5	5.5
<b>Minimal distances of the fireplace</b>			
to cladding, insulation layer	cm	6	6
to mounting floor	cm	2	2
<b>Thermal insulation without / with air gratings <sup>4)</sup></b>			
Mounting wall	cm	14 / 10	16 / 12
Floor	cm	2	2
Ceiling	cm	16 / 12	25 / 18
Brick lining for combustible wall	cm	10	10
<b>Weight</b>			
Fireplace / combustion chamber	kg	226 / 67	
<b>Meets requirement/limit values for:</b>			
Germany/ Austria / Switzerland / Norway		1.BImSchV (Stufe 2) / 15a BVG (2015) / LRV / NS 3059	

- 1) Indications to "Rated power" determined with metallic reheating surface
- 2) Indications to "Storage operation" for the manual execution of the reheating surface (guide values).
- 3) for fireplace inserts / flue gas pipe / metallic reheating surface
- 4) Values determined with upper air cross-sections; stove cladding is heat emitting.