

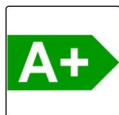
## FIREPLACE INSERTS FROM BRUNNER



### Stil-Tunnel 62/76

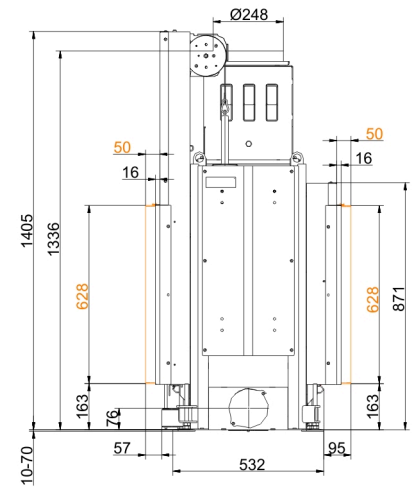
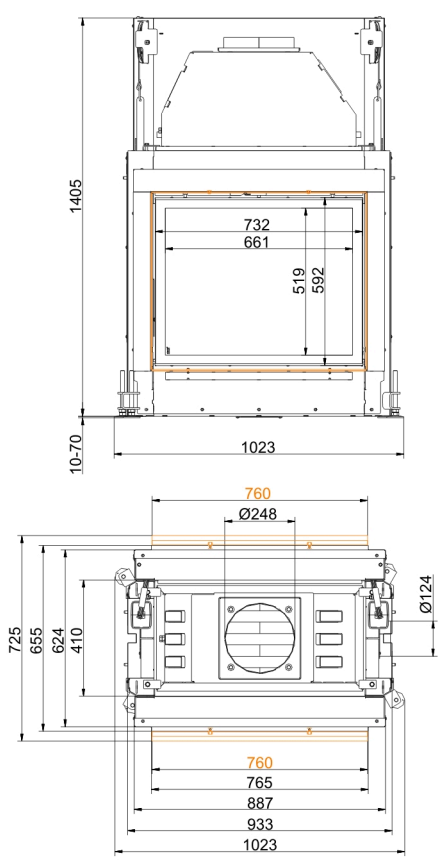
lifting door

State: 2023-08-23

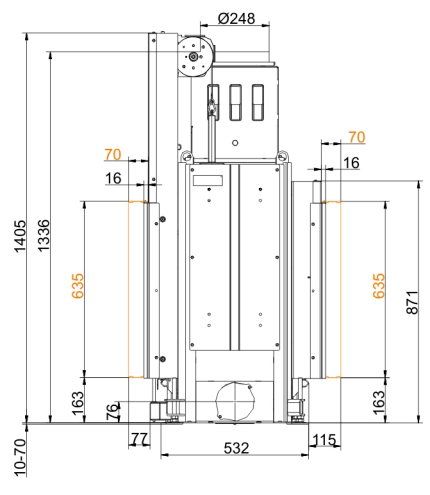
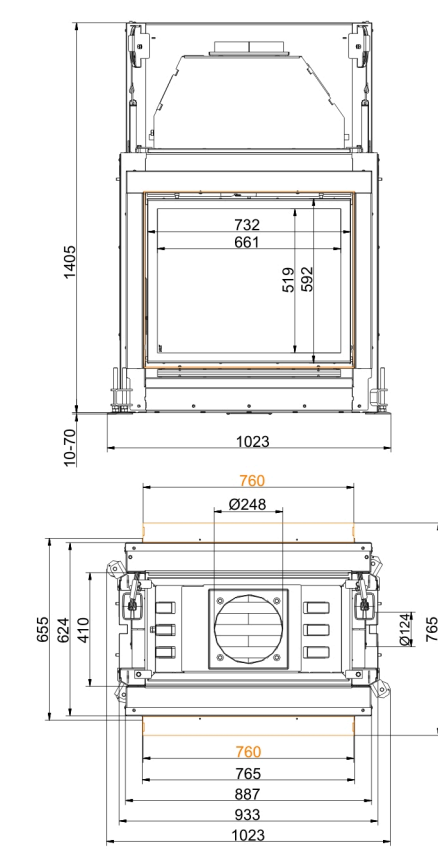


**BRUNNER**<sup>®</sup>  
*made in germany.*

# Dimension sheets - Stil-Tunnel 62/76 lifting door

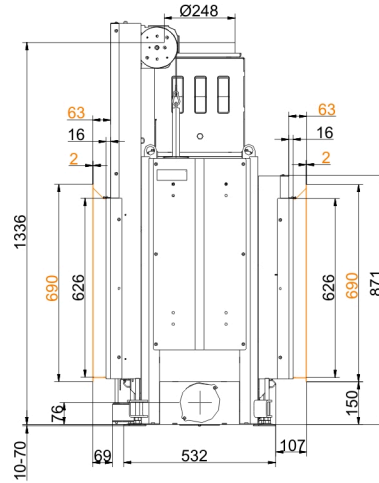
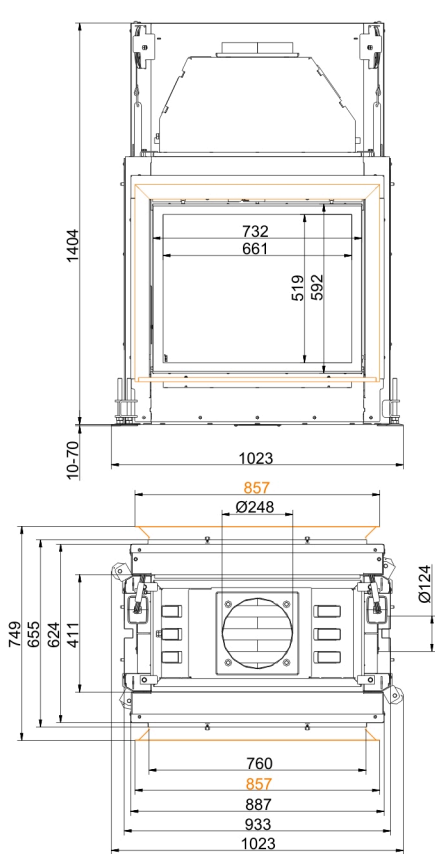


... /tilting door with mounting frame 50 mm

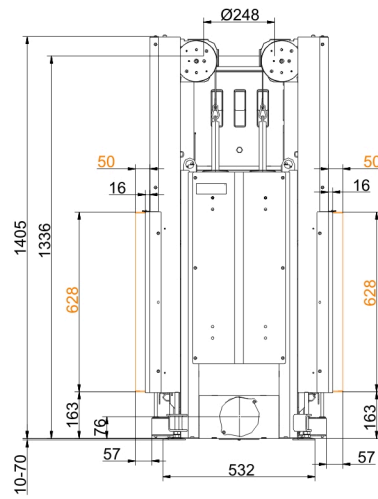
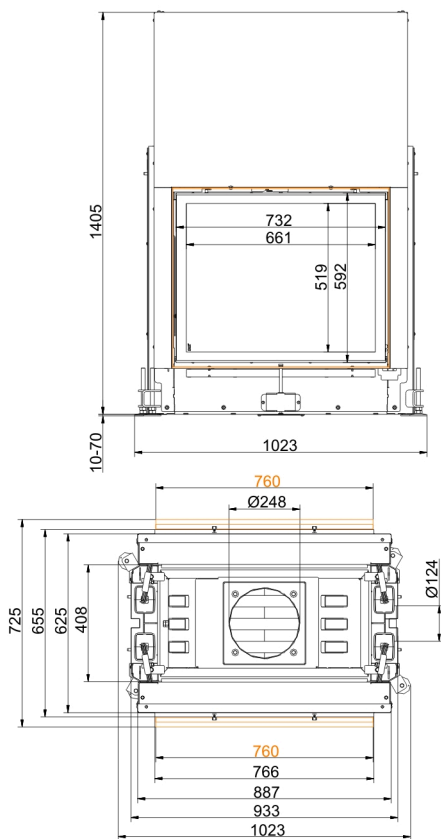


... /tilting door with mounting frame 70 mm

# Dimension sheets - Stil-Tunnel 62/76 lifting door

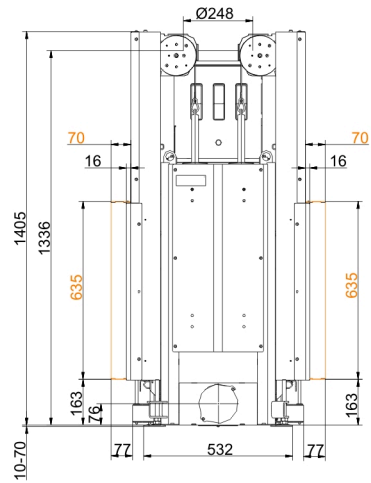
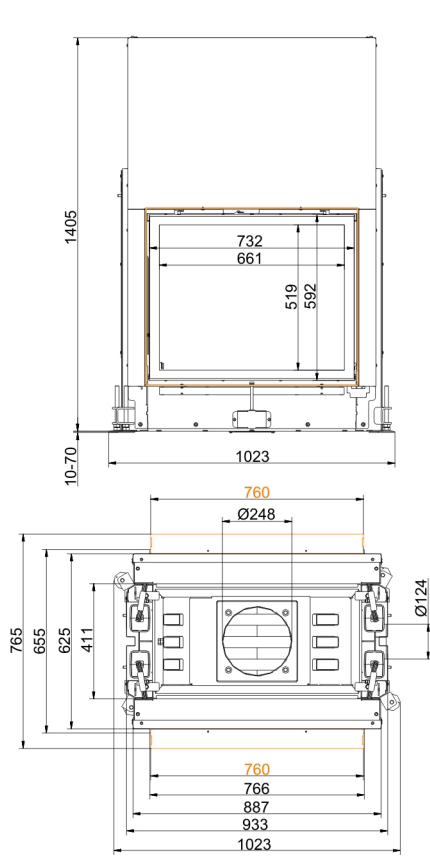


... /tilting door with door frame

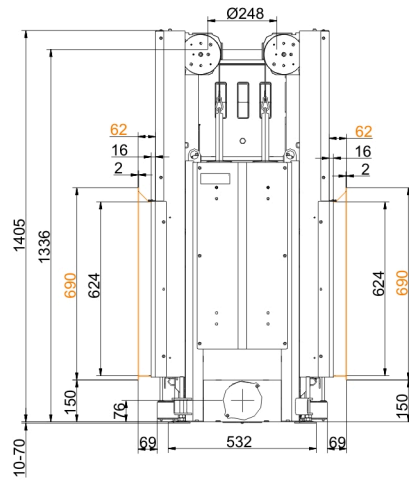
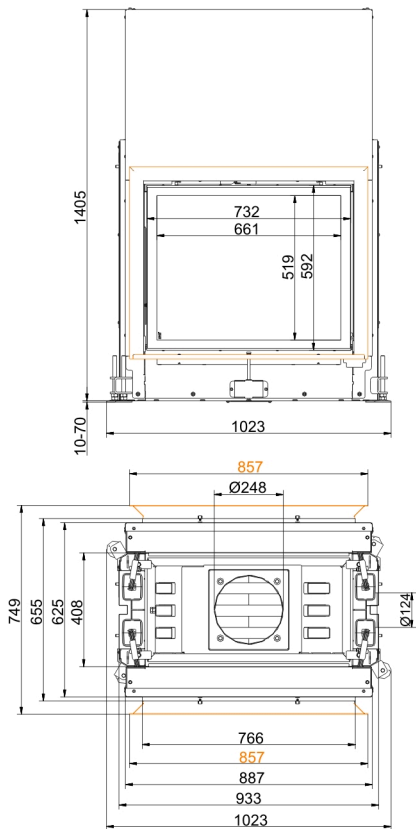


... with mounting frame 50 mm

# Dimension sheets - Stil-Tunnel 62/76 lifting door

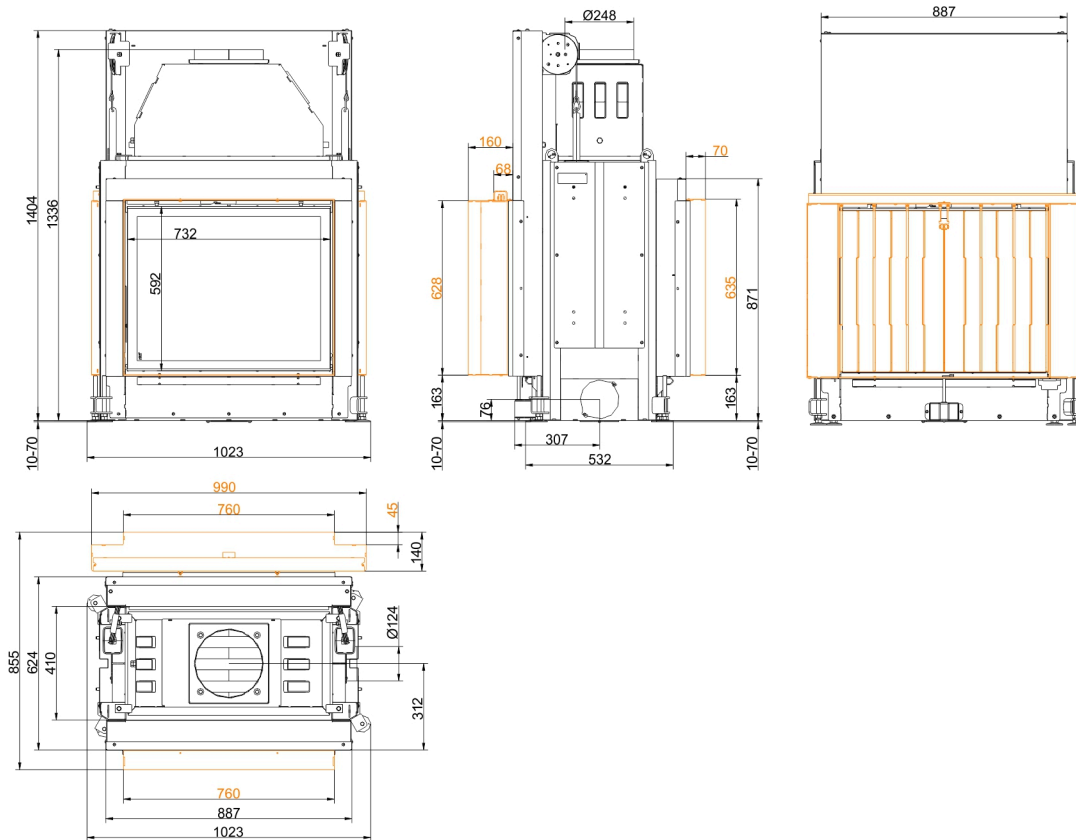


... with mounting frame 70 mm



... with door frame

# Dimension sheets - Stil-Tunnel 62/76 lifting door



... with heatSTOP®

We suggest for CAD planning Palette CAD. Permanent updated drawings: [www.brunner.de](http://www.brunner.de)  
 Frames/ flue gas outlet connection/ combustion air supply connection/ front variants/ support bearing are marked in color.

## Planning and installation - Stil-Tunnel 62/76 lifting door

Tested according to		EN 13229 W
Values measured at		Rated power <sup>1)</sup>
Suitable for all construction types according to rules		OK
<b>Data for functional demonstration</b>		
Rated heat power	kW	11
Fire wood volume	kg/h	3.2
Combustion performance	kW	13
Flue gas mass flow	g/s	10
Flue gas temperature after:		
metallic hot air hood	°C	180
Necessary supply pressure	Pa	13
Combustion air consumption	m <sup>3</sup> /h	35
Combustion air connection Ø	mm	125
<b>Heat distribution</b>		
Insert / reheating surface	%	50 / -
Glass pane (single / double)	%	50 / -
<b>Cross-section of gratings <sup>2)</sup></b>		
Convection air	cm <sup>2</sup>	700 / 100 / -
Supply air	cm <sup>2</sup>	700 / 100 / -
<b>Minimal oven surface for closed construction type</b>		
Heat dissipating surface	m <sup>2</sup>	4
<b>Minimal distances of the fireplace</b>		
to cladding, insulation layer	cm	6
to mounting floor	cm	2
<b>Thermal insulation without / with air gratings <sup>3)</sup></b>		
Mounting wall	cm	18 / 14
Floor	cm	4 / 2
Ceiling	cm	22 / 16
Brick lining for combustible wall	cm	10
<b>Weight</b>		
Fireplace / combustion chamber	kg	203 / 69
<b>Meets requirement/limit values for:</b>		
Germany/ Austria / Switzerland / Norway		1.BImSchV (Stufe 2) / 15a BvG (2015) / LRV / -

1) Indications to "Rated power" determined with metallic reheating surface

2) for fireplace inserts / flue gas pipe / metallic reheating surface

3) Values determined with upper air cross-sections; stove cladding is heat emitting.