

OPEN FIREPLACES FROM BRUNNER



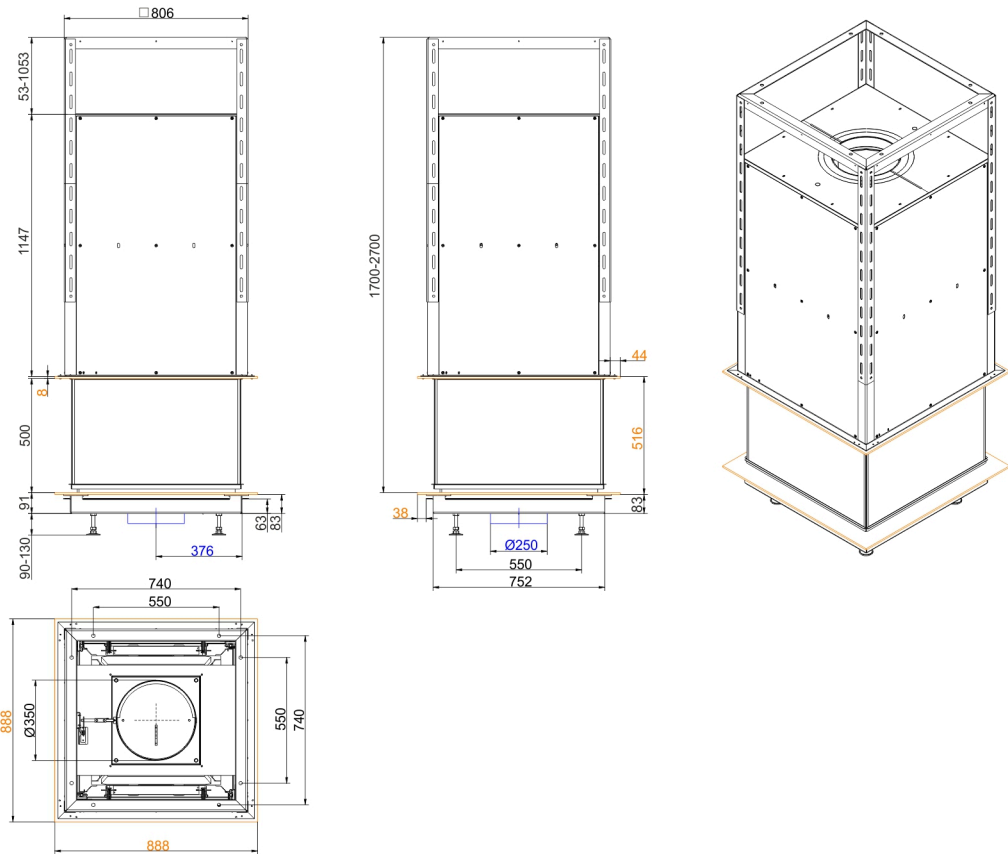
Urfeuer® 4free

State: 2023-08-31

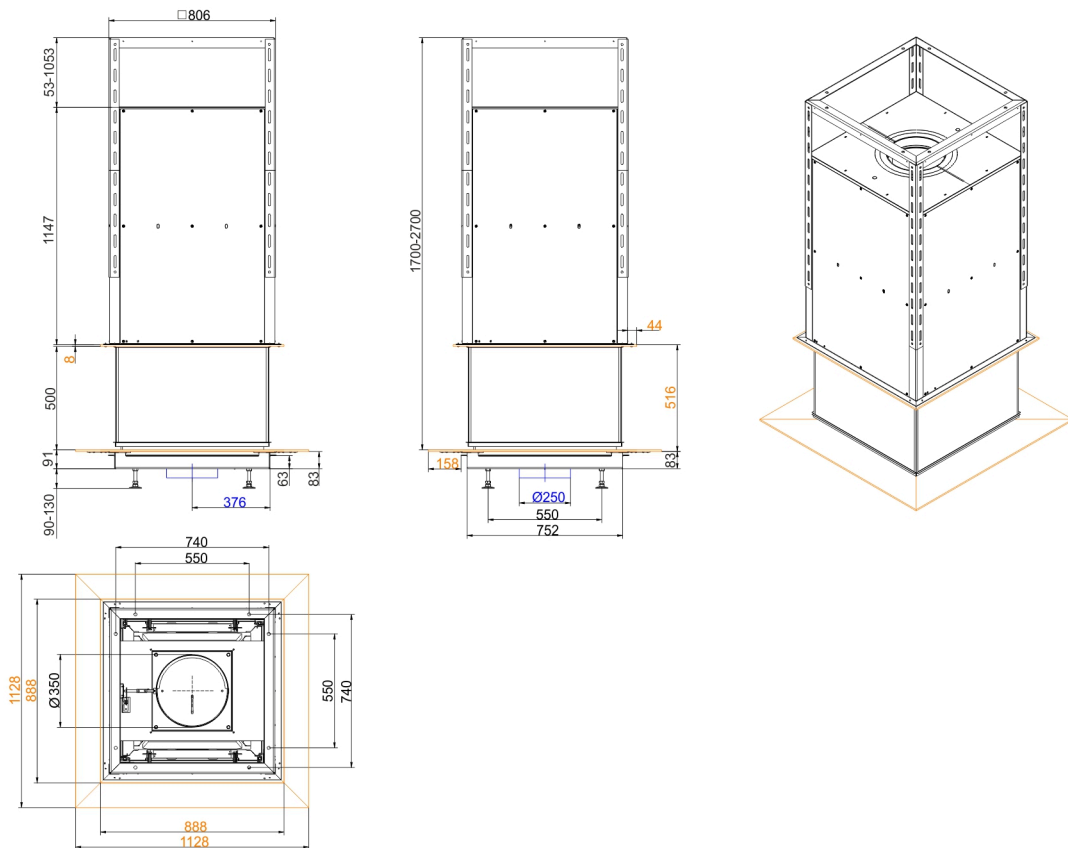


BRUNNER[®]
made in germany.

Dimension sheets - Urfeuer® 4free



... with firetable frame narrow



... with firetable frame wide

We suggest for CAD planning Palette CAD. Permanent updated drawings: www.brunner.de
 Frames/ flue gas outlet connection/ combustion air supply connection/ front variants/ support bearing are marked in color.

Planning and installation - Urfeuer® 4free

Data for functional demonstration ¹⁾		
Flue gas mass flow	g/s	120
Outlet temperature	°C	80
Necessary supply pressure	Pa	7
Total fuel load	kg	2 - 5
Combustion air consumption	m ³ /h	410
Combustion air connection Ø	mm	250
Cross-section of gratings		
Convection air	cm ²	500
Supply air	cm ²	500
Min. distances of fireplace without / with convection casing		
to cladding, insulation layer	cm	6
to mounting floor	cm	2.5
Thermal insulation without / with air gratings		
Mounting wall	cm	10
Ceiling	cm	14
Brick lining for combustible wall	cm	10
Weight		
Gewicht Abgassammler + Feuertisch / Brennkammer	kg	190 + 119 / 48

- 1) Urfeuer fireplaces are industrially prefabricated components for open fireplaces. Installation and planning are carried out according to the manufacturer's instructions and TROL. Open fireplaces may only be operated occasionally. The responsible district chimney sweep must be informed prior to the installation of an openly operated fireplace.