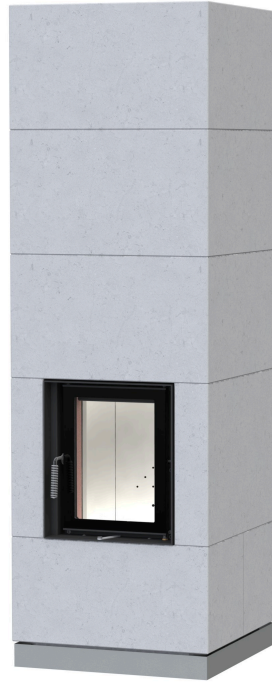


SMALL STORAGE STOVES FROM BRUNNER



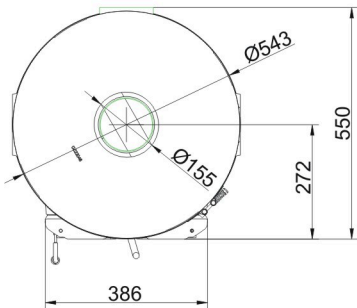
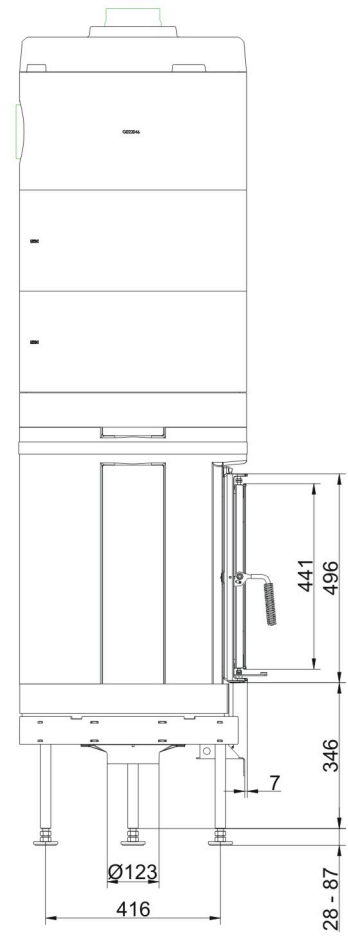
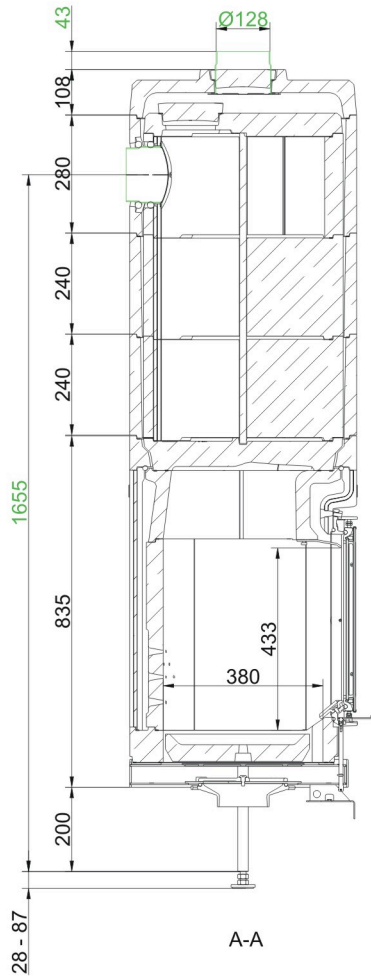
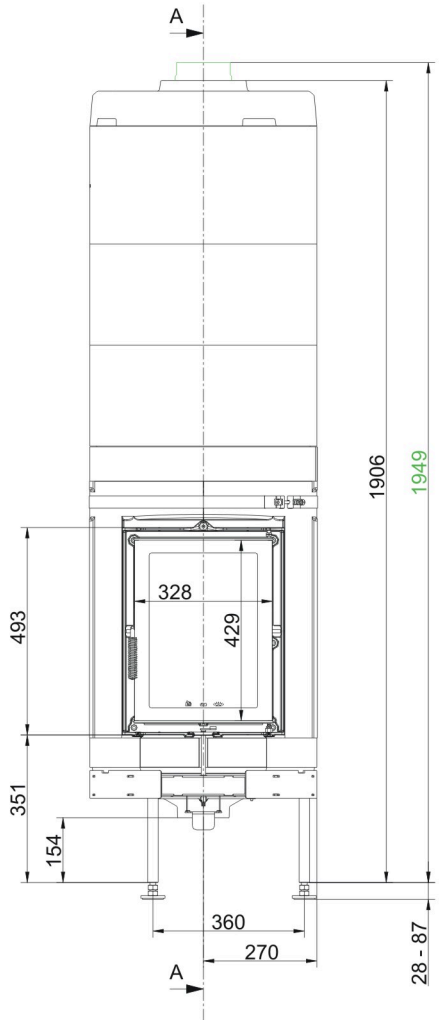
KSO 33 q

State: 2023-08-31



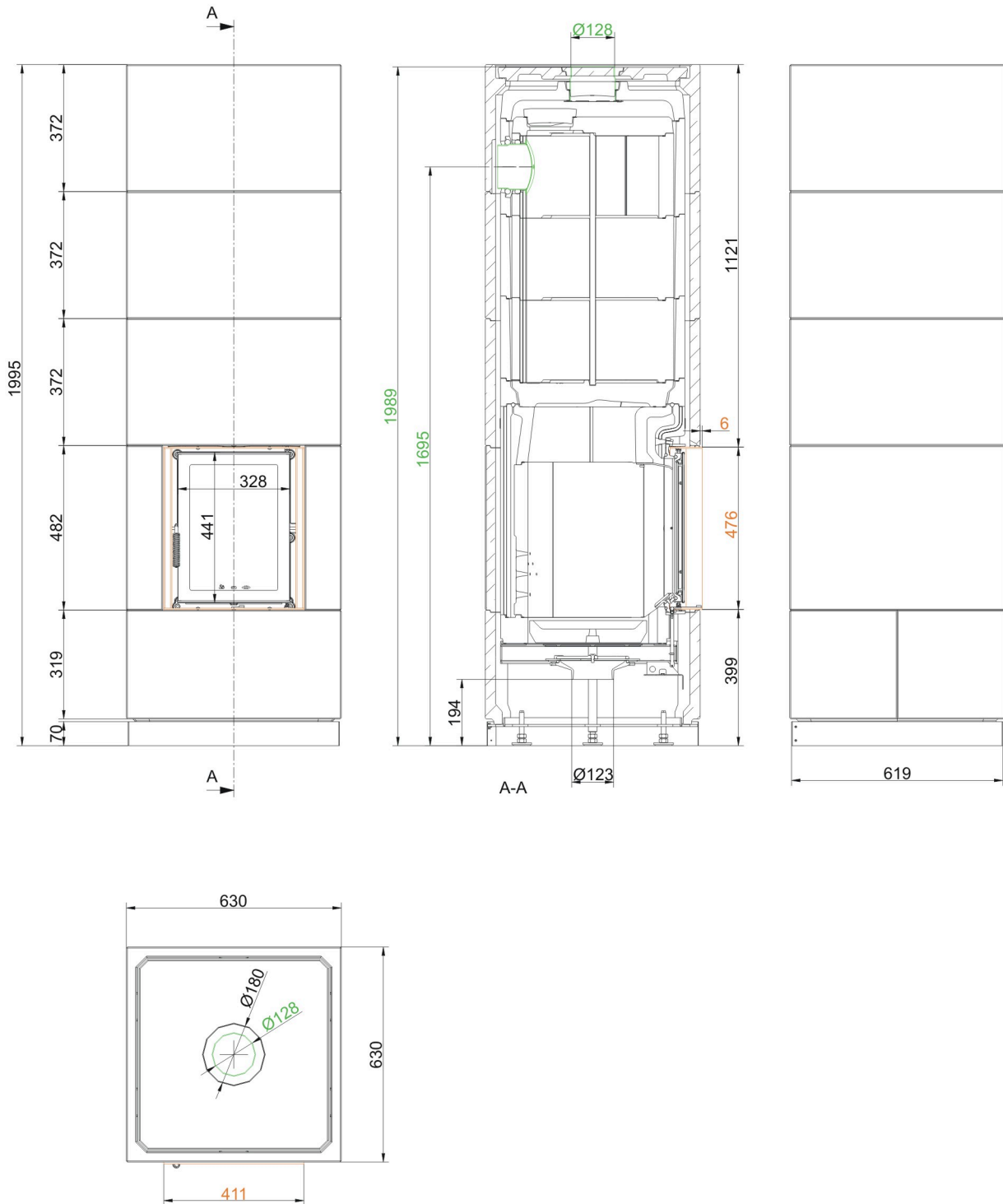
BRUNNER[®]
made in germany.

Dimension sheets - KSO 33 q



....base unit

Dimension sheets - KSO 33 q



... thermal concrete with mounting frame

We suggest for CAD planning Palette CAD. Permanent updated drawings: www.brunner.de
 Frames/ flue gas outlet connection/ combustion air supply connection/ front variants/ support bearing are marked in color.

Planning and installation - KSO 33 q

Tested according to	EN 15250	
Data for functional demonstration		
Rated heat power	kW	1.7
Fire wood volume	kg/h	3.5
Combustion duration	h	2.2
Time of heat release ¹⁾	h	16.9
Combustion performance	kW	13.9
Flue gas mass flow	g/s	13.5
Flue gas temperature	°C	161
Outlet temperature	°C	215
Max. exhaust gas temperature (NWL/safety test)	°C	210 / 280
Necessary supply pressure ²⁾	Pa	12
Total fuel load	kg	7.5
Load of wood 1st/2nd combustion cycle	kg	4 / 3,5
Combustion air consumption	m ³ /h	38
Combustion air connection Ø	mm	125
Time until reaching max. surface temperature	h	4.6
Time to cool to 50% of max. surface temperature	h	11.4
Cladding components ³⁾		
Foot print (W x D)	mm	630 x 630
Overall height	mm	1989
Minimal distances ⁴⁾		
to mounting wall	cm	5
to combustible mounting wall	cm	10
to mounting floor	cm	0
from top of fireplace to the ceiling	cm	40
From top of horizontal connecting piece to the ceiling	cm	20
Weight		
Combustion chamber / accumulator	kg	479
Cladding	kg	246
Meets requirement/limit values for:		
Allows multiple fireplaces on one chimney	yes	
Germany/ Austria	1.BImSchV (Stufe 2) / 15a BVG (2015)	

1) Time from firing star to reaching 25% of the maximum surface temperature against the room temperature

2) Damper flap recommended

3) Quality features of the cladding components in concrete look (fair-faced concrete class 2-3)

Dimensional tolerances of the casting mold parts

Straightness: +- 2 mm/m

Length/width/thickness: +- 2 mm

Squareness: +- 2 mm

Flatness: +- 2,5 mm

Surface to visible side

Textur: closed and largely uniform; repair areas with color changes and hairline cracks permissible.

Porosity: max. three holes with diameter <10 mm and depth <10 mm (reference area 100x100 mm).

Colour shade: uniform, large-area light/dark discolouration and cement haze permissible; no rust and dirt spots as well as different bulk layers.

Note: deviations in color tone (e.g. extension rings) can be adjusted by applying a glaze-like paint (our recommendation: DecoLasur Matt tinted in the colour shade Schiefer16, Caparol).

With the BRUNNER revision set (Art. No. 900300), touch-up work can be carried out on the cladding components.

4) Values determined with thermal concrete cladding