

BRUNNER WATER BOILERS



Kamin-Kessel Eck 42/57/30

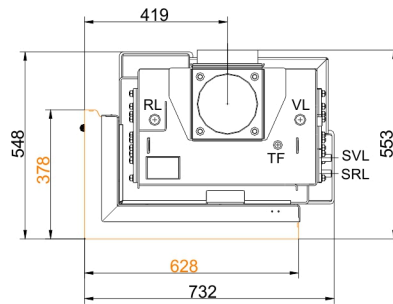
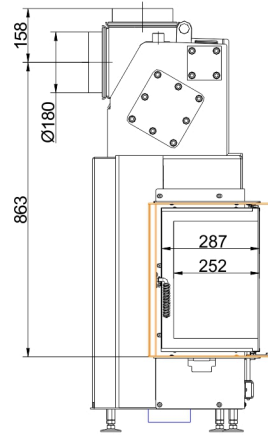
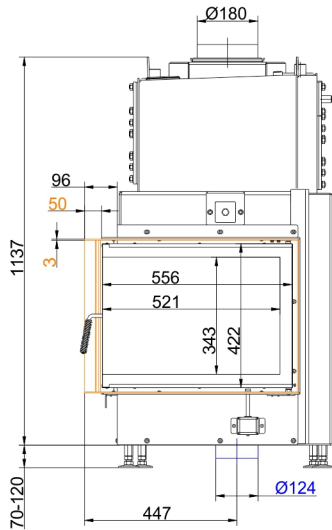
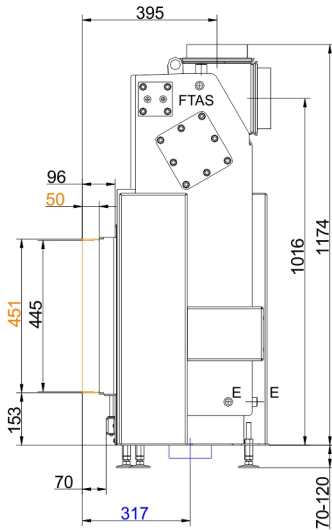
side-opening door

State: 2023-09-08



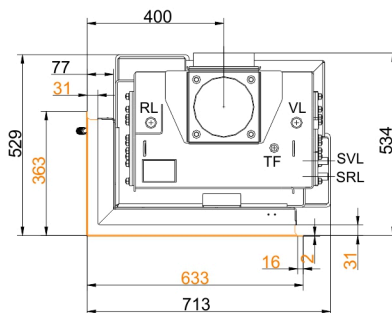
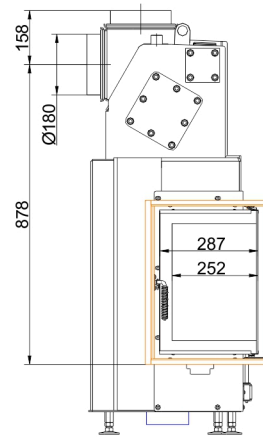
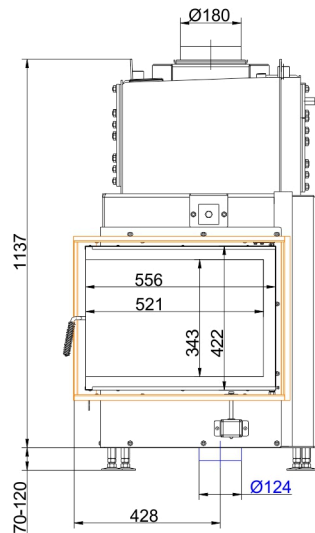
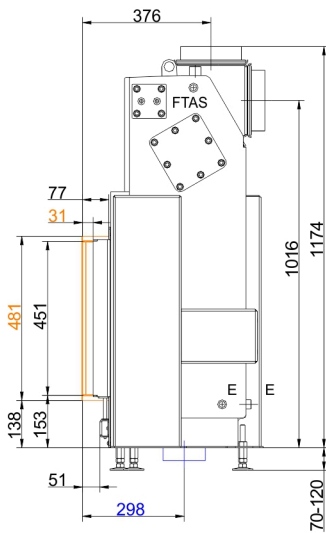
BRUNNER[®]
made in germany.

Dimension sheets - Kamin-Kessel Eck 42/57/30 side-opening door



- VL supply 1"ext. th.
- RL return boiler 1"ext.th.
- E drain 1/2"int. th.
- SVL supply cooling pipe outlet ext.th.
- SRL return cooling pipe outlet 1/2"ext.th.
- FTAS socket for thermal safety sensor int.th.
- TF socket 1/2" for sensor int.th.

... left with mounting frame



- VL supply 1"ext. th.
- RL return boiler 1"ext.th.
- E drain 1/2"int. th.
- SVL supply cooling pipe outlet ext.th.
- SRL return cooling pipe outlet 1/2"ext.th.
- FTAS socket for thermal safety sensor int.th.
- TF socket 1/2" for sensor int.th.

... left with door frame

We suggest for CAD planning Palette CAD. Permanent updated drawings: www.brunner.de

Frames/ flue gas outlet connection/ combustion air supply connection/ front variants/ support bearing are marked in color.

Planning and installation - Kamin-Kessel Eck 42/57/30 side-opening door

Tested according to		EN 13229 W	EN 13229 W
Values measured at		Rated power	Practical avg.
Data for functional demonstration			
Rated heat power	kW	8	-
Room heating power	kW	3.5	-
Water heating power	kW	4.5	-
Fire wood volume	kg/h	2.5	5
Combustion performance	kW	10	19
Flue gas mass flow	g/s	8	18
Flue gas temperature after:			
boiler	°C	175	220
Necessary supply pressure	Pa	12	12
Combustion air consumption	m³/h	25	45
Combustion air connection Ø	mm	125	125
Heat distribution			
Insert / reheating surface	%	10 / -	10 / -
Glass pane (single / double)	%	35 / -	35 / -
Boiler	%	55	55
Kesselteil ohne Dämmung, Einfachglas	%	55	55
Cross-section of gratings ¹⁾			
Convection air	cm²	200 / 200 / -	200 / 200 / -
Supply air	cm²	200 / 200 / -	200 / 200 / -
Minimal distances of the fireplace			
to cladding, insulation layer	cm	6	6
to mounting floor	cm	10	10
Thermal insulation without / with air gratings ²⁾			
Mounting wall	cm	8	8
Floor	cm	0	0
Ceiling	cm	10	10
Brick lining for combustible wall	cm	10	10
Water boiler data			
Max. operating pressure	bar	3	3
Max. flow temperature	°C	100	100
Water volume	liter	33	33
Connections flow / return	inches	1	1
Weight			
Fireplace / combustion chamber	kg	198 / 52	
Meets requirement/limit values for:			
Germany/ Austria / Switzerland / Norway	1.BImSchV (Stufe 2) / 15a BvG (2015) / LRV / -		

1) for fireplace inserts / flue gas pipe / metallic reheating surface

2) Values determined with upper air cross- sections; stove cladding is heat emitting