

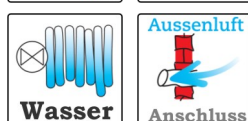
## BRUNNER WATER BOILERS



# Kamin-Kessel Eck 45/67/44

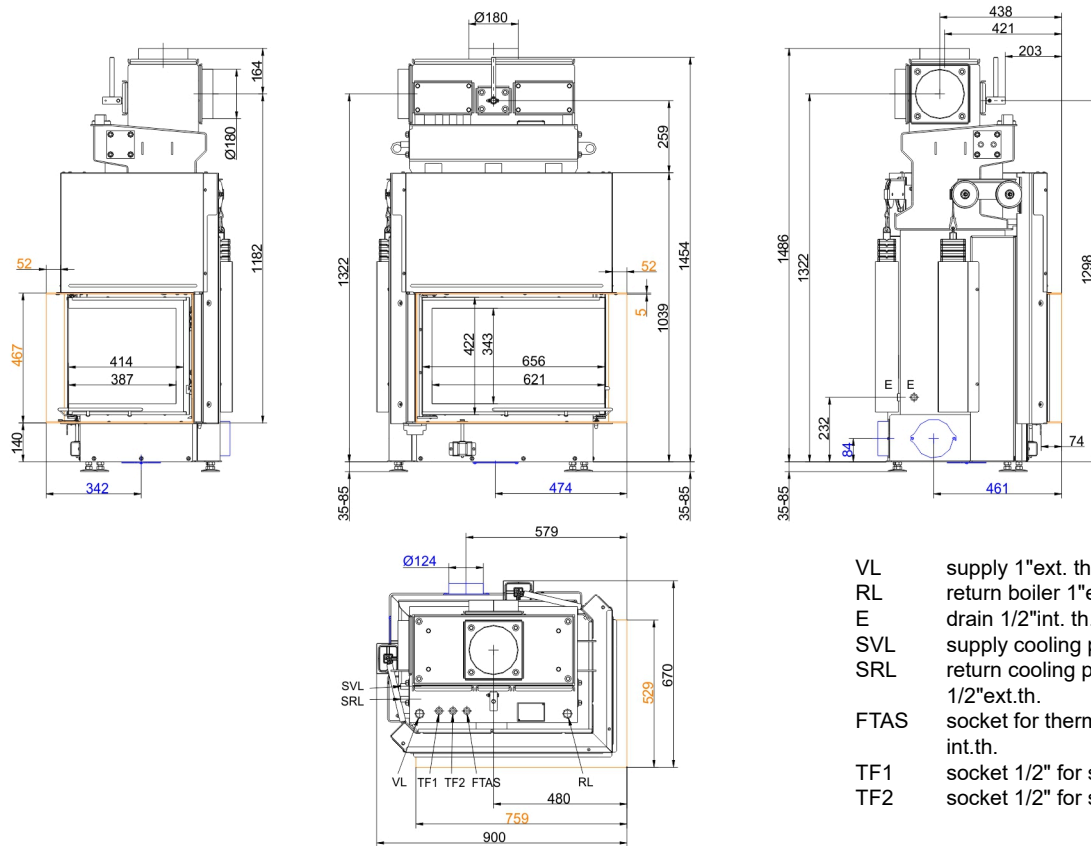
lifting door

State: 2023-09-08



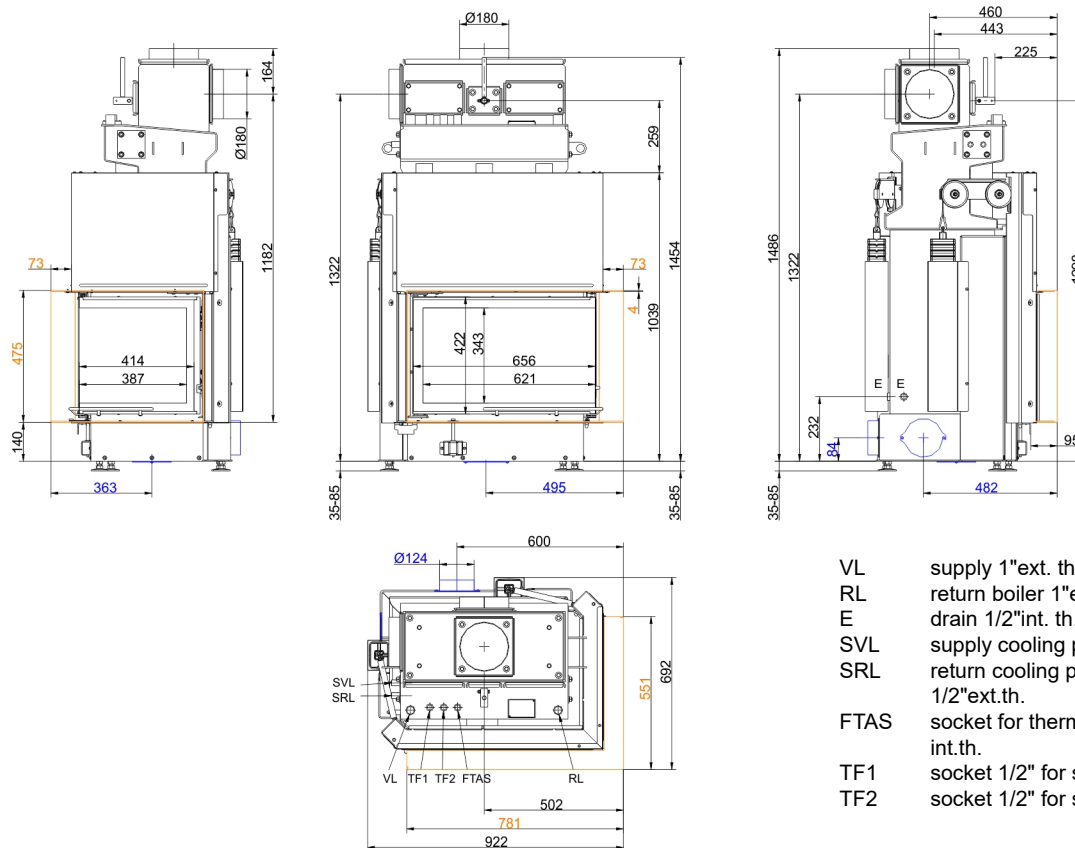
**BRUNNER**<sup>®</sup>  
*made in germany.*

# Dimension sheets - Kamin-Kessel Eck 45/67/44 lifting door



- VL supply 1"ext. th.
- RL return boiler 1"ext.th.
- E drain 1/2"int. th.
- SVL supply cooling pipe outlet ext.th.
- SRL return cooling pipe outlet 1/2"ext.th.
- FTAS socket for thermal safety sensor int.th.
- TF1 socket 1/2" for sensor int.th.
- TF2 socket 1/2" for sensor int.th.

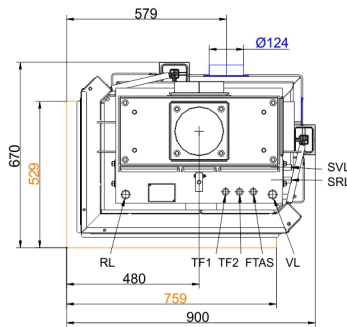
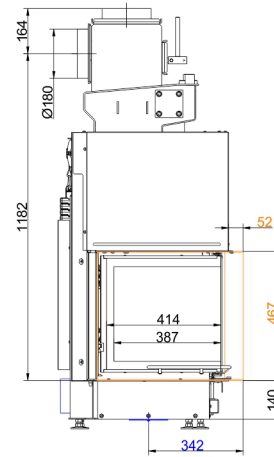
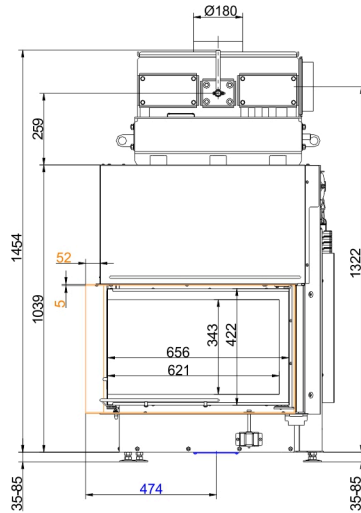
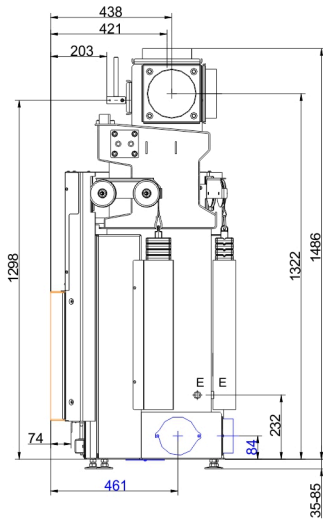
... right with mounting frame 50 mm



- VL supply 1"ext. th.
- RL return boiler 1"ext.th.
- E drain 1/2"int. th.
- SVL supply cooling pipe outlet ext.th.
- SRL return cooling pipe outlet 1/2"ext.th.
- FTAS socket for thermal safety sensor int.th.
- TF1 socket 1/2" for sensor int.th.
- TF2 socket 1/2" for sensor int.th.

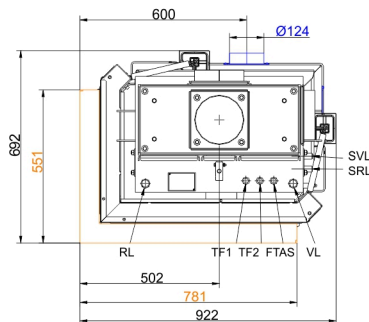
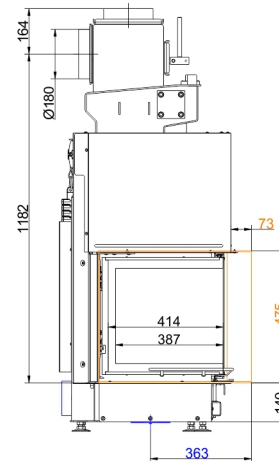
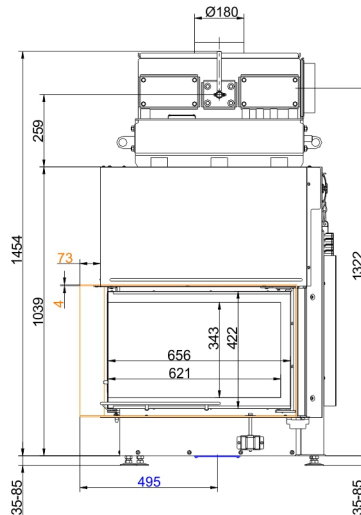
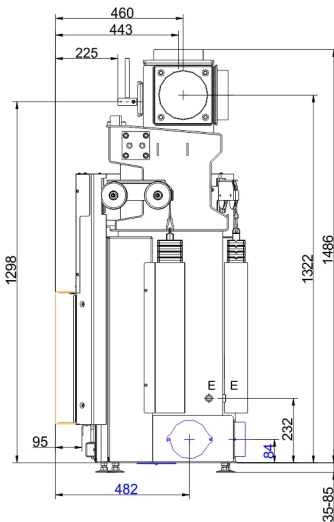
... right with mounting frame 70 mm

# Dimension sheets - Kamin-Kessel Eck 45/67/44 lifting door



- VL supply 1"ext. th.
- RL return boiler 1"ext.th.
- E drain 1/2"int. th.
- SVL supply cooling pipe outlet ext.th.
- SRL return cooling pipe outlet 1/2"ext.th.
- FTAS socket for thermal safety sensor int.th.
- TF1 socket 1/2" for sensor int.th.
- TF2 socket 1/2" for sensor int.th.

... left with mounting frame 50 mm



- VL supply 1"ext. th.
- RL return boiler 1"ext.th.
- E drain 1/2"int. th.
- SVL supply cooling pipe outlet ext.th.
- SRL return cooling pipe outlet 1/2"ext.th.
- FTAS socket for thermal safety sensor int.th.
- TF1 socket 1/2" for sensor int.th.
- TF2 socket 1/2" for sensor int.th.

... left with mounting frame 70 mm

We suggest for CAD planning Palette CAD. Permanent updated drawings: [www.brunner.de](http://www.brunner.de)

Frames/ flue gas outlet connection/ combustion air supply connection/ front variants/ support bearing are marked in color.

# Planning and installation - Kamin-Kessel Eck 45/67/44 lifting door

Tested according to		EN 13229 W	EN 13229 W
Values measured at		Rated power	Practical avg.
<b>Data for functional demonstration</b>			
Rated heat power	kW	12	-
Room heating power	kW	5	-
Water heating power	kW	7	-
Fire wood volume	kg/h	3.6	5.7
Combustion performance	kW	14	24
Flue gas mass flow	g/s	12.5	19.5
Flue gas temperature after:			
boiler	°C	155	200
Necessary supply pressure	Pa	12	12
Combustion air consumption	m³/h	40	50
Combustion air connection Ø	mm	125	125
<b>Heat distribution</b>			
Insert / reheating surface	%	10 / -	10 / -
Glass pane (single / double)	%	35 / -	35 / -
Boiler	%	55	55
Kesselteil ohne Dämmung, Einfachglas	%	55	55
<b>Cross-section of gratings <sup>1)</sup></b>			
Convection air	cm²	200 / 200 / -	200 / 200 / -
Supply air	cm²	200 / 200 / -	200 / 200 / -
<b>Minimal distances of the fireplace</b>			
to cladding, insulation layer	cm	6	6
to mounting floor	cm	4	4
<b>Thermal insulation without / with air gratings <sup>2)</sup></b>			
Mounting wall	cm	8	8
Floor	cm	0	0
Ceiling	cm	10	10
Brick lining for combustible wall	cm	10	10
<b>Water boiler data</b>			
Max. operating pressure	bar	3	3
Max. flow temperature	°C	100	100
Water volume	liter	61	61
Connections flow / return	inches	1	1
<b>Weight</b>			
Fireplace / combustion chamber	kg	346 / 62	
<b>Meets requirement/limit values for:</b>			
Germany/ Austria / Switzerland / Norway	1.BImSchV (Stufe 2) / 15a BVG (2015) / LRV / -		

1) for fireplace inserts / flue gas pipe / metallic reheating surface

2) Values determined with upper air cross- sections; stove cladding is heat emitting