

Installation guide

Corner fireplace waterbearing 45/67/44

©2019

BRUNNER[®]

CONTENTS

1	Basic informations.....	3
2	Description.....	4
3	Delivery contents.....	4
4	Description of parts.....	5
4.1	Corner fireplace waterbearing - right - body.....	5
4.2	Corner fireplace waterbearing - left - body.....	9
4.3	Cleaning mechanics (W048071).....	13
4.4	Chamotte (W048011).....	14
4.5	Deflection (W048100).....	15
4.6	Mounting frame 50 mm (I062013-03).....	16
4.7	Mounting frame 70 mm (I062014-01).....	17
4.8	Smoke gas outlet D180 (W048145).....	18
5	Installation.....	19
5.1	Removal of the transport safety devices.....	19
5.2	air supply connection.....	20
5.3	Connection for flue gas outlet.....	21
5.4	Fireclay lining (chamotte).....	23
5.5	Installation of deflection.....	27
5.6	Exchange of deflector plates and thermocouple.....	29
6	Directives.....	32
7	Drawings and technical data.....	33

1 BASIC INFORMATIONS



All instructions delivered with products must be observed. We do not accept any warranty claim or liability for damage resulting from failure to observe these installation instructions!
Improper installation can cause injury and material damage!

The installation may only be carried out by a registered specialist.

Fireplaces equipped with a water boiler must be pressure-tested after hydraulic connection to the heating system. Masonry work may follow only after this pressure test. Ulrich Brunner GmbH does not cover any costs incurred by necessary dismantling of masonry for rework at water boiler installation or replacement of the boiler.

The floor space of the room must have a suitable structure and sufficient dimensions to ensure proper functioning of the fireplace.

Please note that other installation and assembly instructions are included in other packaging units!

Dimensioning of downstream heat accumulator must be according to valid stove-setting rules.

During installation of the fireplace, all dimensions and minimal clearances of the fireplace casing must be held as specified by the manufacturer.

All binding national or EU standards and local regulations for the installation of fireplaces must be observed.

All valid stove fitting rules and regulations of local construction law must be observed and followed.

Please follow the relevant regulations of your country.

When these instructions are followed and all works are done properly, this will ensure a safe, energy-saving and environmentally friendly operation of the stove. Pictures shown are not to be considered as complete representations of any kind.

Subject to technical and assortment changes.

Please notify your supplier of any damage which might have occurred during transport.

Please keep these instructions.

Please also take note of the online product documentation provided by:



[General instructions of the Brunner products installation for the stove construction.](https://www.brunner.de/Allgemein/Allgemeine_Hinweise_für_den_Aufbau_en.pdf)

(https://www.brunner.de/Allgemein/Allgemeine_Hinweise_für_den_Aufbau_en.pdf)



2 DESCRIPTION

Fireplace inserts for hot water production are a combination of fireplace and a water-carrying tank construction tested to EN 13229.

The boiler design itself is correct to TRD 702 hotwater generators of the group II and are made of quality steel S235JR (St 37-2) or according to DIN 17100, the exchanger tubes manufactured according to DIN 1626/DIN 1629th All boiler constructions are available as a heat source for hot waterheating systems with permissible flow temperatures suitable and approved up to 100 ° C. The devices can be operated as a sole heating and in conjunction with other heat sources. This can be done in open systems to DIN 4751 Part 1 as well as in closed, thermostatically secure systems to DIN4751 part 2.

Avoid overheating the device! If the fireplace boiler is overheated, it can cause discoloration, especially in the variants with stainless steel diaphragm. These discolorations are no reason for reclamation.

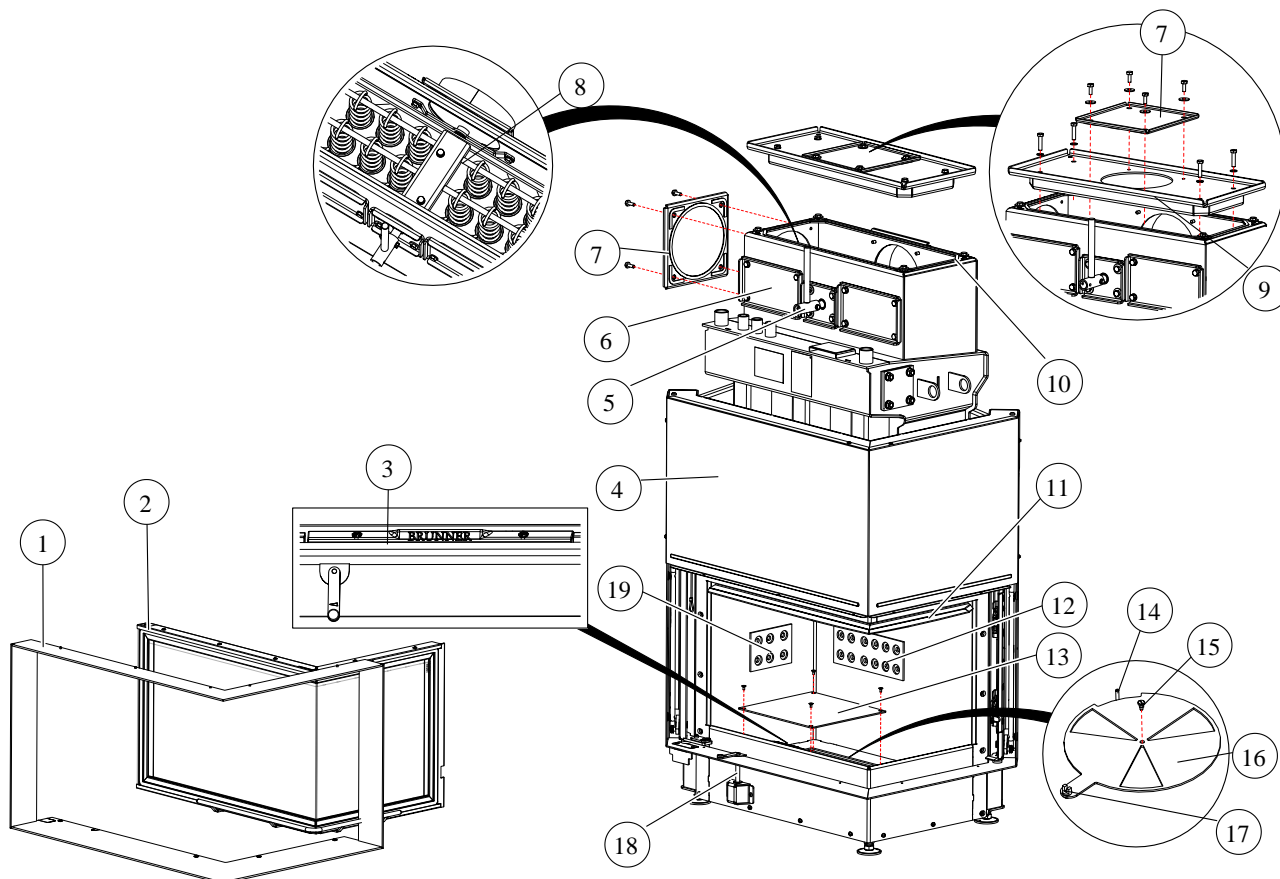
The fireplace-boiler has to be suppressed after the hydraulic connections to the heating system. A wall surrounding the device is possible only after this pressure test. Costs that arise due to the necessary removal of the surrounding wall of the boiler unit or for reworking or replacement of the boiler are not covered by Ulrich Brunner GmbH.

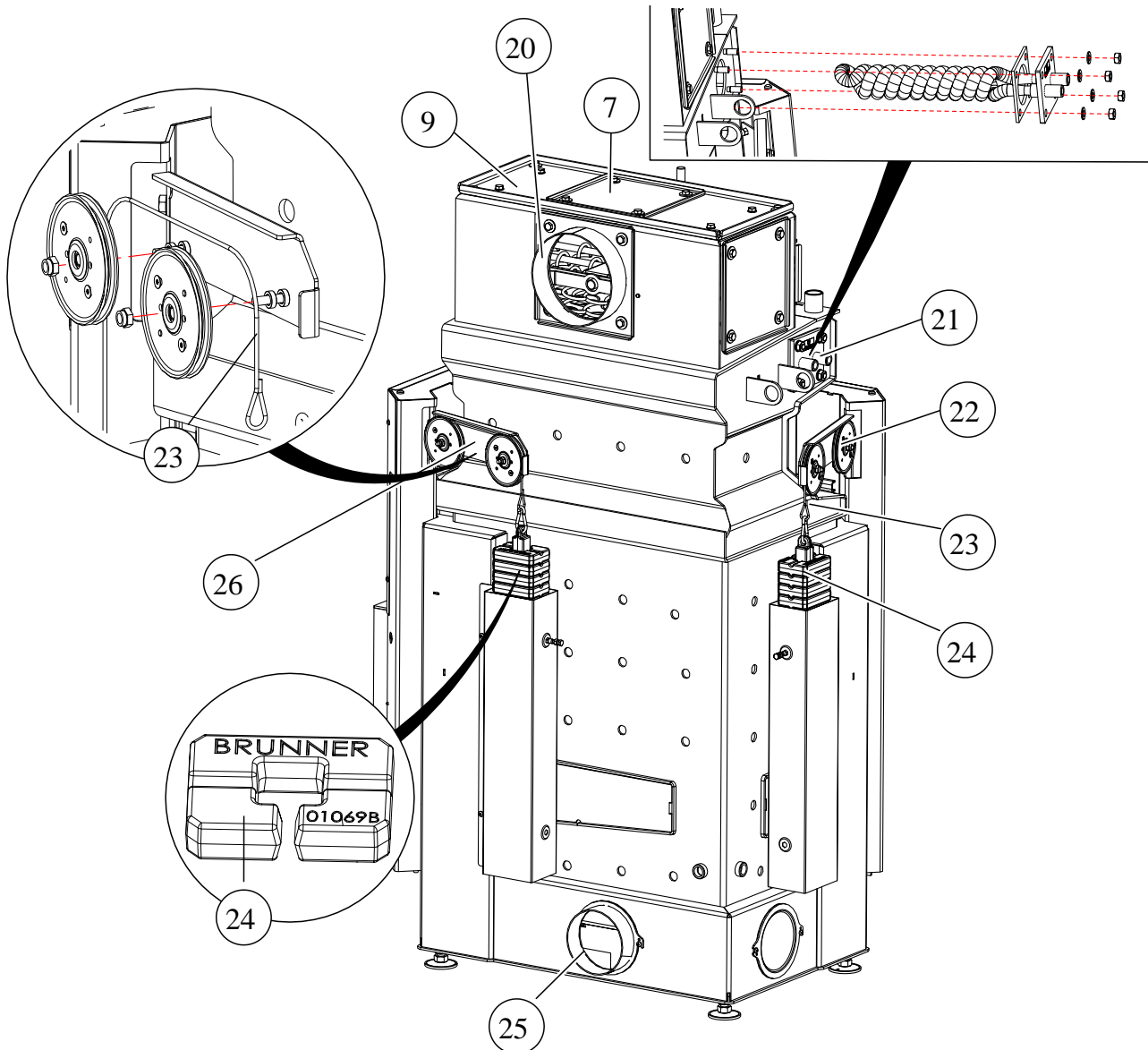
3 DELIVERY CONTENTS

The delivery consists of different packaging units depending on the configuration of the system.

4 DESCRIPTION OF PARTS

4.1 CORNER FIREPLACE WATERBEARING - RIGHT - BODY

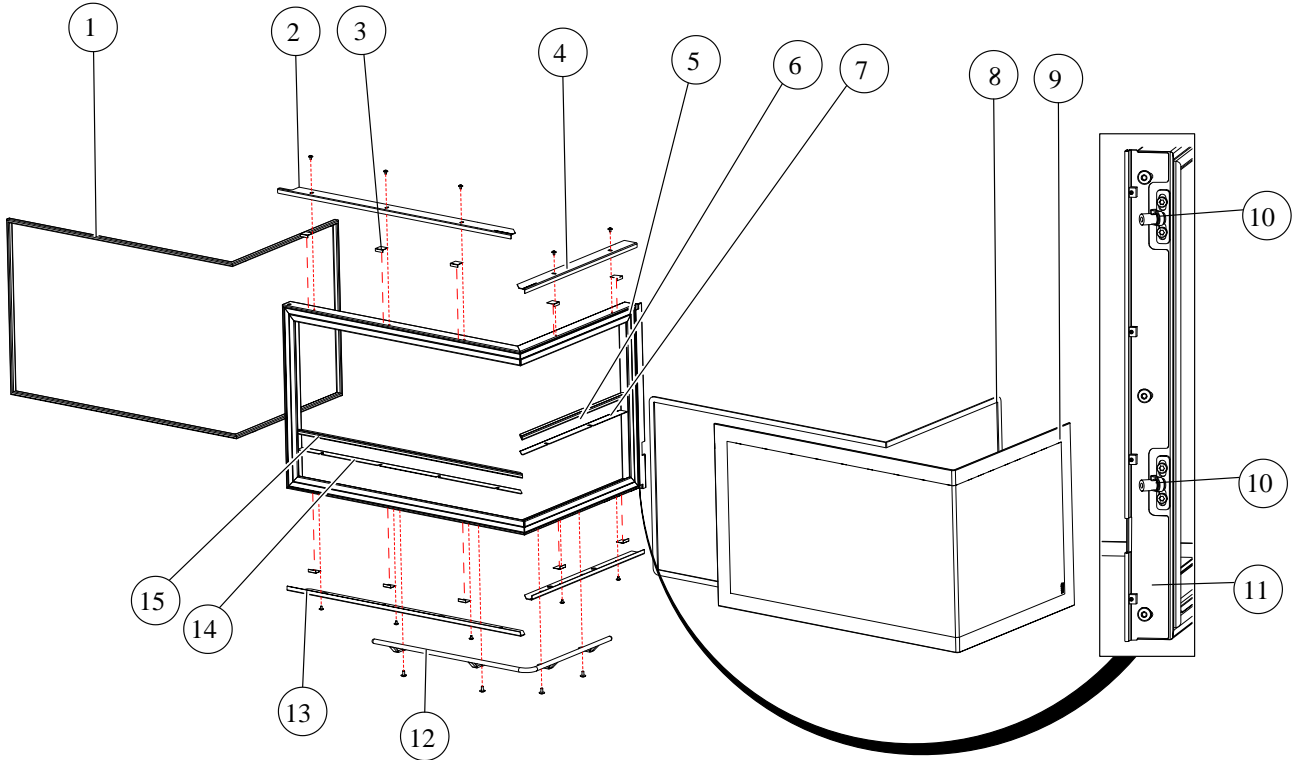




Pos.	Part-No.	Designation	Pcs.	Pos.	Part-No.	Designation	Pcs.
1	I062013-01	Mounting frame 50mm	1	13	I019411	Cover air boxTunnel	1
	I062014-05	Mounting frame 70mm	1	14	800143	Socket headless screw M5x25	1
2	I062016-01	BG corner door right with glass pane one-piece	1	15	800016	Flat head screw M5x5	1
	I062016-03	BG corner door right , with glass pane two-piece	1	16	I019521	Suply air turnable	1
3	I016345	BG Cast air diffuser Brunner	1	17	D003239	Intake air adjuster	1
4	W048018	Hood shaft sheet metal- R	1	18	W039040	BG Air adjuster assembly	1
5	W048137	BG door handle onefold	1	19	W048166	Fiber mat side	1
6	W048155	Revision cover front	2	20	W048145	BG smoke gas outlet D180 complete assembly	1
7	W048148	BG smoke pipe cover, complete	2	21	10666.1	BG safety heat exchanger	1
8	W048071	BG cleaning mechanics	1	22	W048121	BG rope pulley holder right including rope and counterweights	1
9	W048052	BG cover plate smoke pipe collector	1	23	2000149	Rope counterweight	2
10	W048066	Seal smoke pipe collector	1	24	01069	Additional weight 90x65	14

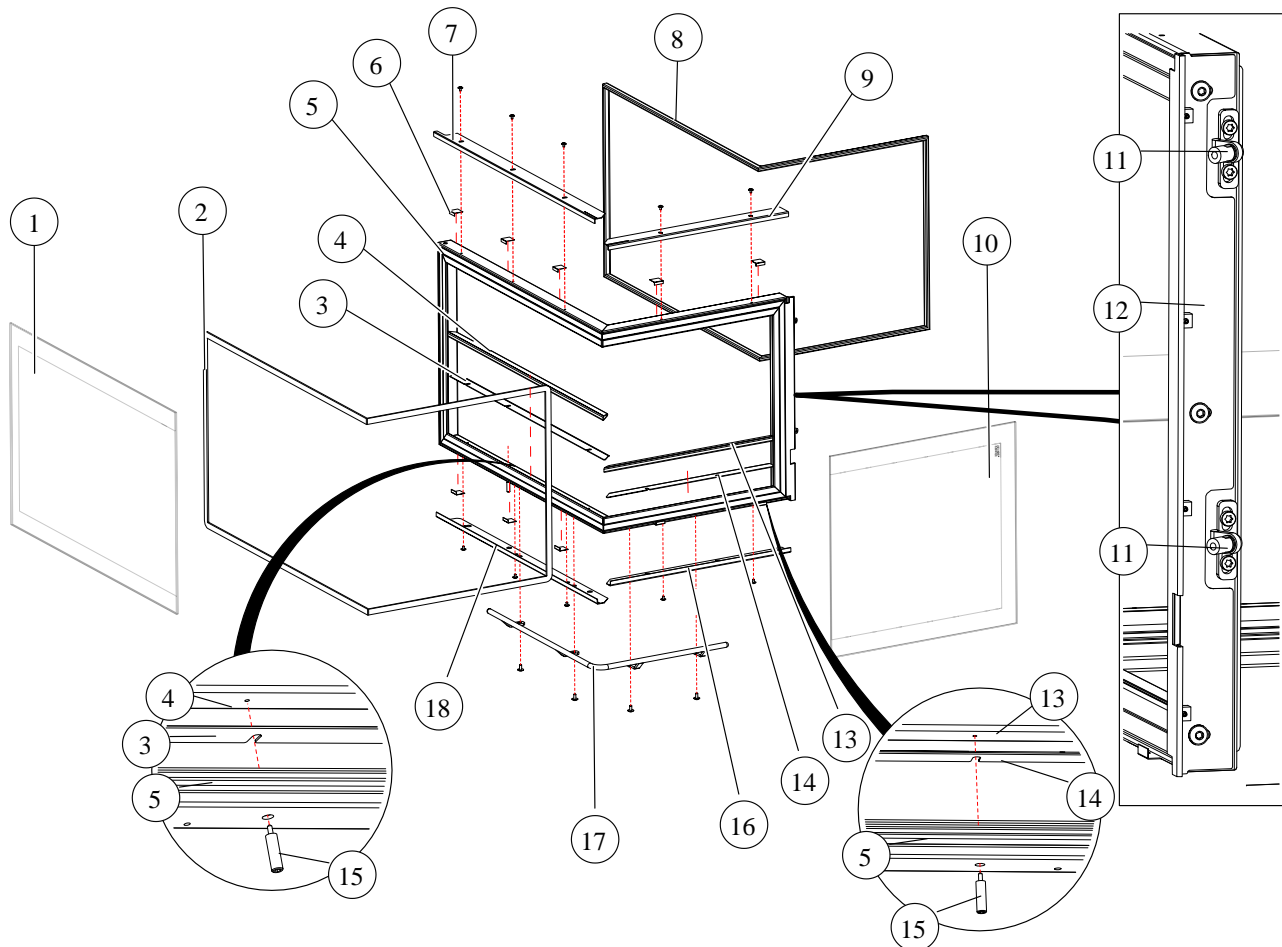
Pos.	Part-No.	Designation	Pcs.	Pos.	Part-No.	Designation	Pcs.
11	I012336	BG air directing panel - R	1	25	02333	BG air connection nozzle complete assembly	1
12	W048165	Faber mat posterior	1	26	W048122	BG rope pulley holder right	1

4.1.1 BG CORNER DOOR RIGHT, GLASS PANE ONE-PIECE (I062016-01)



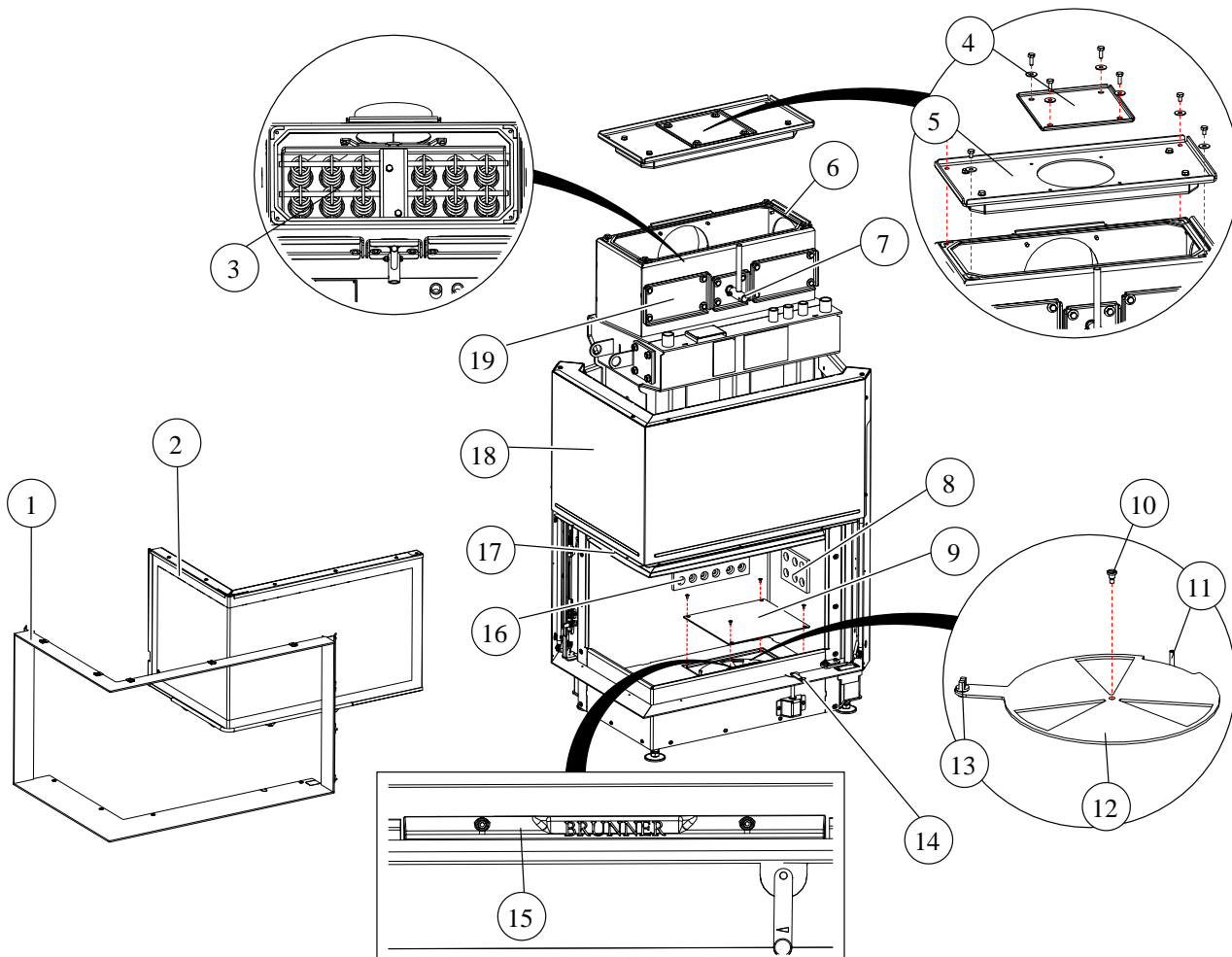
Pos.	Part-No.	Designation	Pcs.	Pos.	Part-No.	Designation	Pcs.
1	I062019	Door sealing to front 11x2800	1	9	I062020-01	Glass pane	1
2	I012230-01	Holding bracket outer pane long	1	10	I013323	BG locking bolt	2
3	I012415	Sealing pane-holding bracket	10	11	I051230-01	BG right door handle assembly	1
4	I012227-01	Upper holding bracket outer pane short	1	12	I012233	BG door handle right	1
5	I062017	BG door frame	1	13	I012229-01	Holding bracket outer pane long	1
6	I012241	Bottom clamp profile short	1	14	I012304	Cover plate sealing cord long R	1
7	I012305	Cover plate sealing cord, short R	1	15	I012240	Bottom clamp profile, long	1
8	I062018	Sealing pane to door 15x4x2950	1				

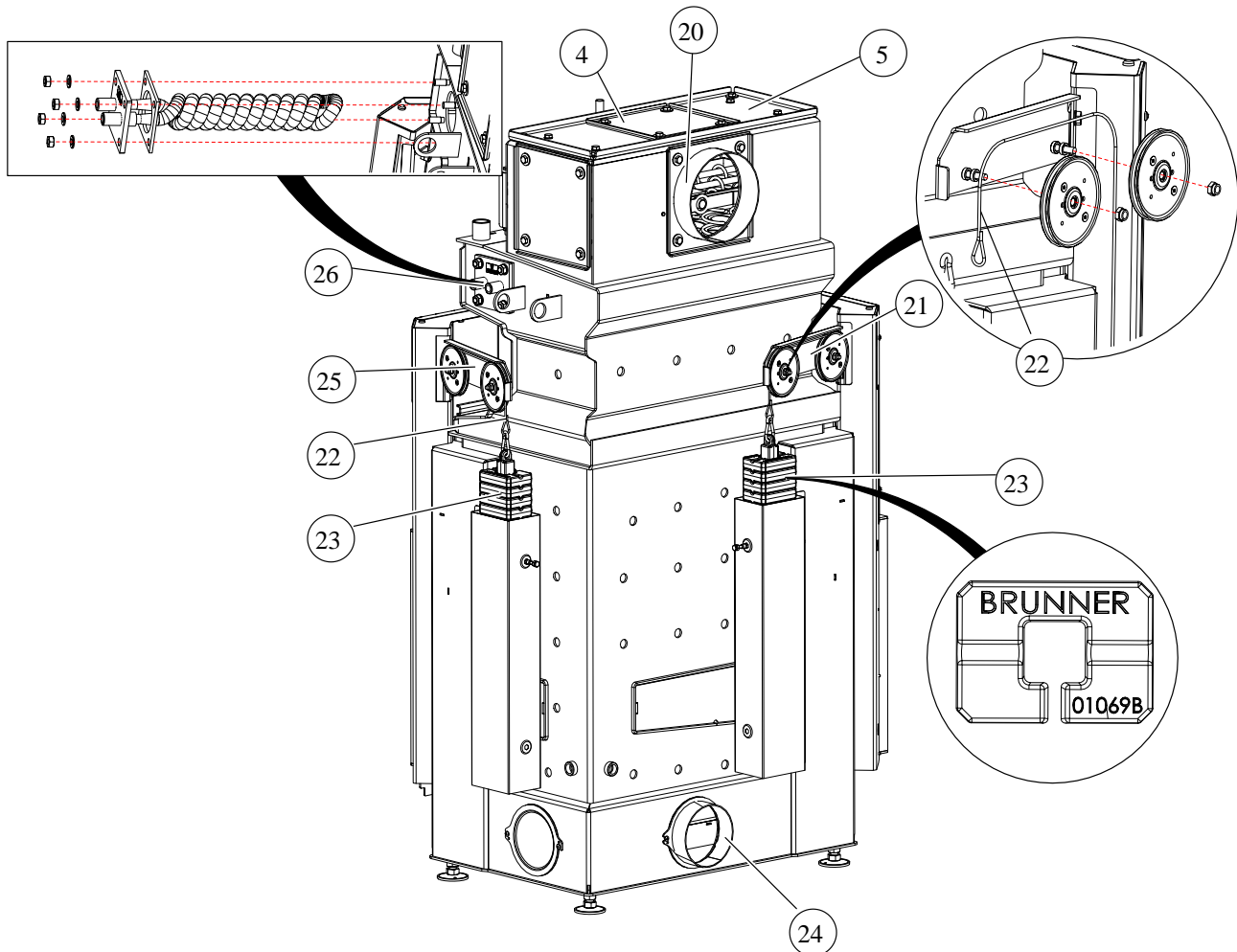
4.1.2 BG CORNER DOOR RIGHT, GLASS PANE TWO-PIECE (I062016-03)



Pos.	Part-No.	Designation	Pcs.	Pos.	Part-No.	Designation	Pcs.
1	I062067-01	Glass pane long	1	10	I062068-01	Glass pane short	1
2	I062018	Sealing pane to door 15x4x2950	1	11	I013323	BG locking bolt	2
3	I012304	Cover plate sealing cord long R	1	12	I051230-01	BG door panel assembly, right	1
4	I012240	Bottom clamp profile long	1	13	I012241	Bottom clamp profile short	1
5	I062017	BG door frame	1	14	I012305	Cover plate sealing cord short R	1
6	I012415	Sealing pane-holding bracket	10	15	02446	Screw M3x6	6
7	I012230-01	Holding bracket outer pane long	1	16	I012228-01	Bottom holding bracket outer pane short	1
8	I062019	Sealing door to front 11x2800	1	17	I012233	BG door handle, right	1
9	I012227-01	Upper holding bracket outer pane short	1	18	I012229-01	Holding bracket outer pane long	1

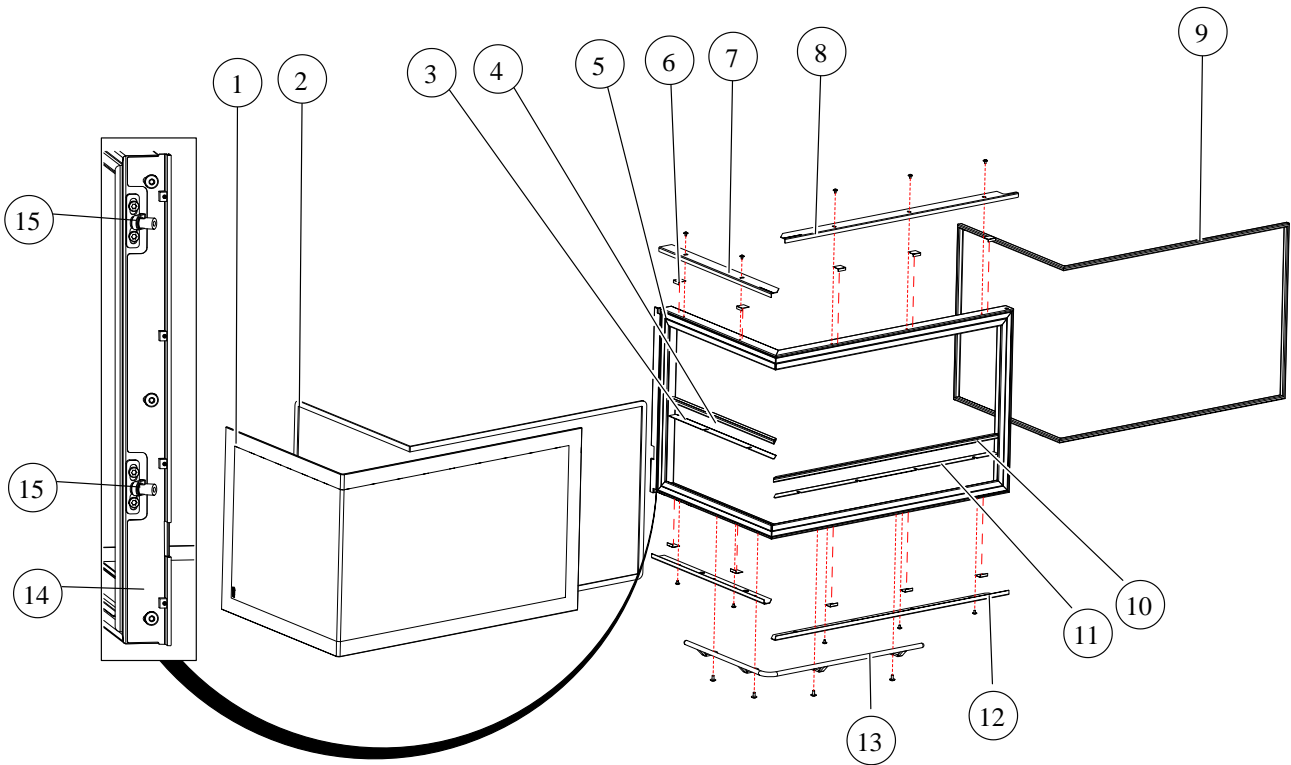
4.2 CORNER FIREPLACE WATERBEARING - LEFT - BODY





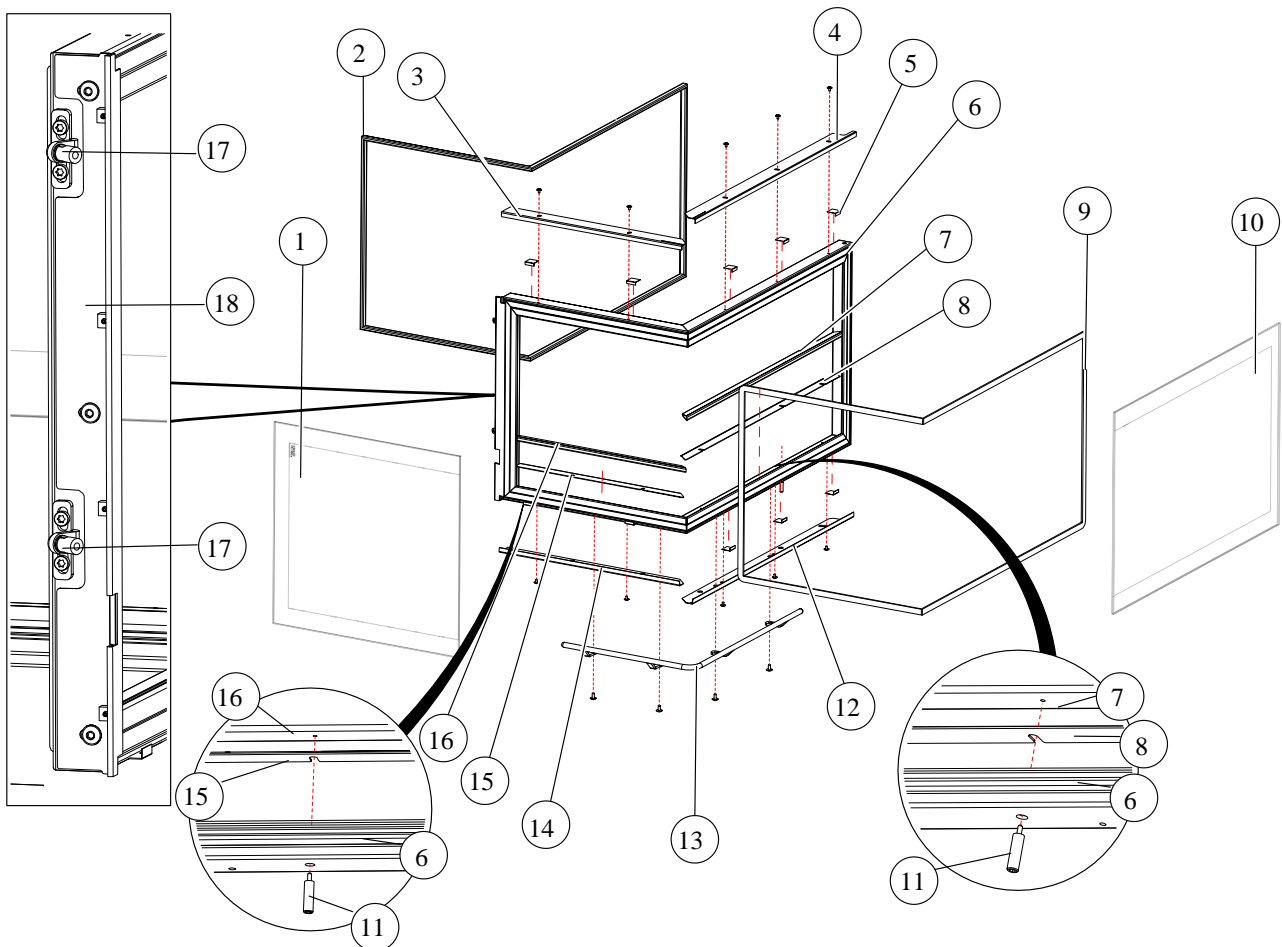
Pos.	Part-No..	Designation	Pcs.	Pos.	Part.-No.	Designation	Pcs.
1	I062013-03	Mounting frame 50mm	1	13	D003239	Intake air adjuster	1
	I062014-04	Mounting frame 70mm	1	14	W039040	BG Air adjuster assembly	1
2	I062060-01	BG corner door glass pane one-piece	1	15	I016345	BG cast air diffuser - Brunner	1
	I062060-03	BG corner door glass pane two-piece	1	16	W048165	Fiber mat posterior	1
3	W048071	BG cleaning mechanics	1	17	I012359	BG air directing panel - L	1
4	W048148	BG smoke pipe cover, complete	1	18	W048019	Hood shaft sheet metal - L	1
5	W048052	BG cover plate smoke pipe collector	1	19	W048155	Revision cover front	2
6	W048066	Sealing smoke pipe collector	1	20	W048145	BG smoke gas outlet D180 complete assembly	1
7	W048137	BG door handle onefold	1	21	W048121	BG rope pulley holder right including rope and counterweights	1
8	W048166	Fiber mat side	1	22	2000149	Rope counterweight	1
9	I019411	Cover air box tunnel	1	23	01069	Additional weight 90x65	14
10	800016	Flat head screw M5x5	1	24	02333	BG air connection nozzle complete assembly	1
11	800143	Socket headless screw M5x25	1	25	W048120	BG rope pulley holder right	1
12	I019521	Supply air turnable	1	26	10666.1	BG safety heat exchanger	1

4.2.1 BG CORNER DOOR LEFT, GLASS PANE ONE-PIECE (I062060-01)



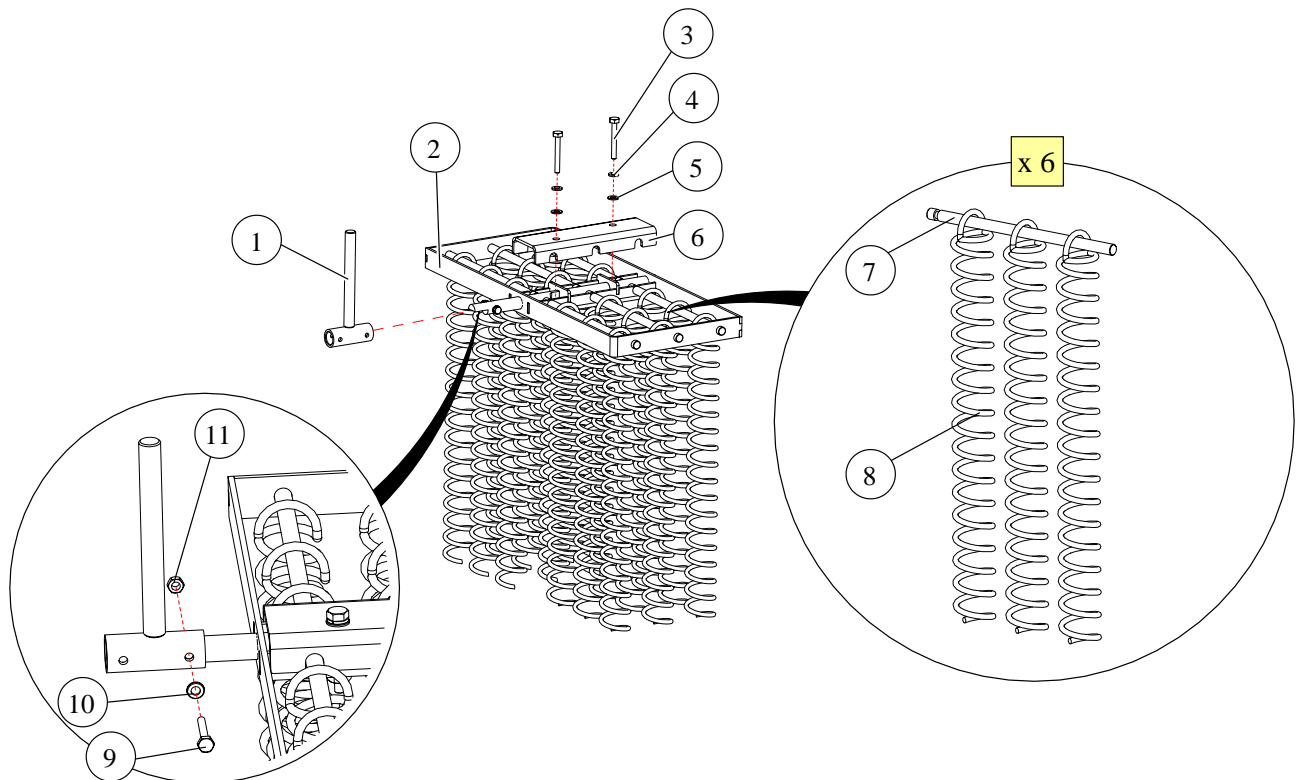
Pos.	Part-No.	Designation	Pcs.	Pos.	Part-No.	Designation	Pcs.
1	I062020-01	Glass pane	1	9	I062019	Sealing door to front 11x2800	1
2	I062018	Sealing pane to door 15x4x2950	1	10	I012280	Bottom clamp profile long- L	1
3	I012307	Cover plate sealing cord short L	1	11	I012306	Cover plate sealing cord long L	1
4	I012281	Bottom clamp profile, short - L	1	12	I012286-01	Holding bracket outer pane long	1
5	I062061	BG door frame - L	1	13	I012282	BG door handle left	1
6	I012415	Sealing pane- holding bracket	10	14	I051231-01	BG door panel assembly left	1
7	I012285-01	Upper holding bracket outer pane short L	1	15	I013323	BG locking bolt	2
8	I012284-01	Holding bracket outer pane long	1				

4.2.2 BG CORNER DOOR LEFT, GLASS PANE TWO-PIECE (I062060-03)



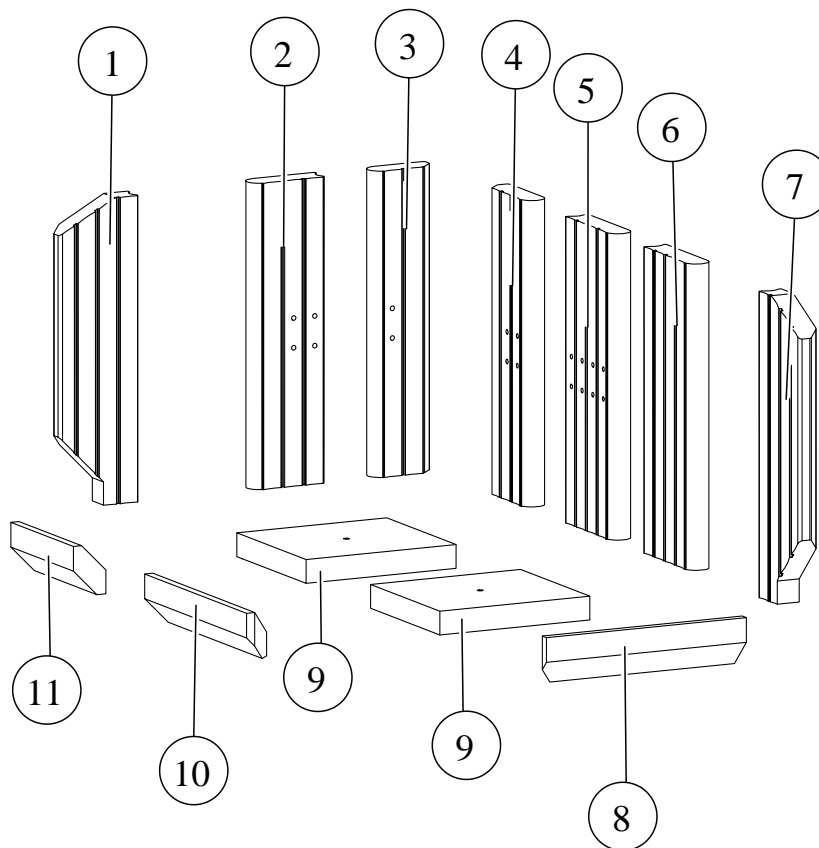
Pos.	Part-No.	Designation	Pcs.	Pos.	Part-No.	Designation	Pcs.
1	I062068-01	Glass pane short	1	10	I062067-01	Glass pane long	1
2	I062019	Sealing door to front 11x2800	1	11	02446	Screw M3x6	6
3	I012285-01	Upper holding bracket outer pane short	1	12	I012286-01	Holding bracket outer pane left	1
4	I012284-01	Holding bracket outer pane long	1	13	I012282	BG door handle, left	1
5	I012415	Sealing pane-holding bracket	10	14	I012287-01	Bottom holding bracket outer pane short	1
6	I062061	BG door frame L	1	15	I012307	Cover plate sealing cord short L	1
7	I012280	Bottom clamp profile long - L	1	16	I012281	Bottom clamp profile short - L	1
8	I012306	Cover plate sealing cord long L	1	17	I013323	BG locking bolt	2
9	I062018	Sealing pane to door	1	18	I051231-01	BG door panel assembly, left	1

4.3 CLEANING MECHANICS (W048071)



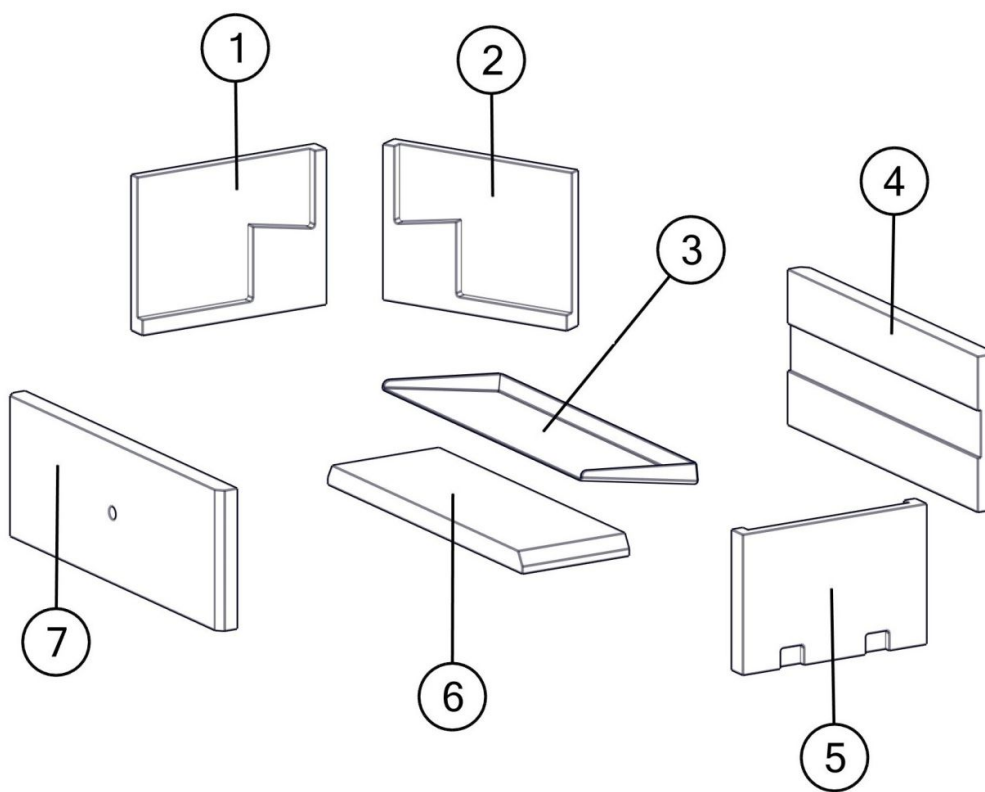
Pos.	Teilenr.	Bezeichnung	Stk.	Pos.	Teilenr.	Bezeichnung	Stk.
1	W048137	BG door handle onefold	1	7	W046027	Supporting elements cleaning pen	6
2	W048074	BG Tilting frame	1	8	W043053	Cleaning pen	18
3	00639	Hex bolt M8x55	2	9	800289	Hex bolt M6x40	1
4	00604	Spring ring M8	2	10	00628	Washer	1
5	00605	Washer	2	11	00952	Hex nut with clamping part M6	1
6	W046028	Shaftlock center	1				

4.4 CHAMOTTE (W048011)



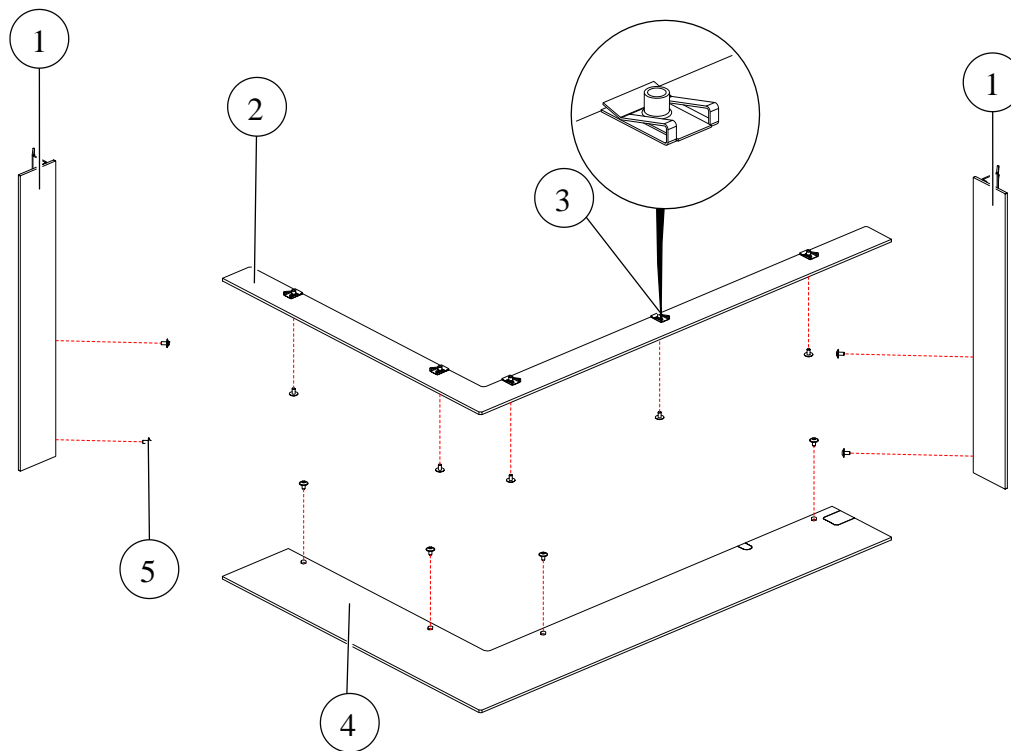
Pos.	Article.	Designation	Pcs.
1	W048029	Sidewall plate	1
2	W048030	Sidewall plate	1
3	W048031	Corner plate	1
4	W048033	Corner plate	1
5	W048032	Sidewall plate with opening for air supply	1
6	W048171	Sidewall plate	1
7	W048028	Sidewall plate	1
8	02279	Wedge stone right	1
9	W039287	Bottom plate	2
10	02278	Wedge stone left	1
11	02280	Wedge stone straight	1

4.5 DEFLECTION (W048100)



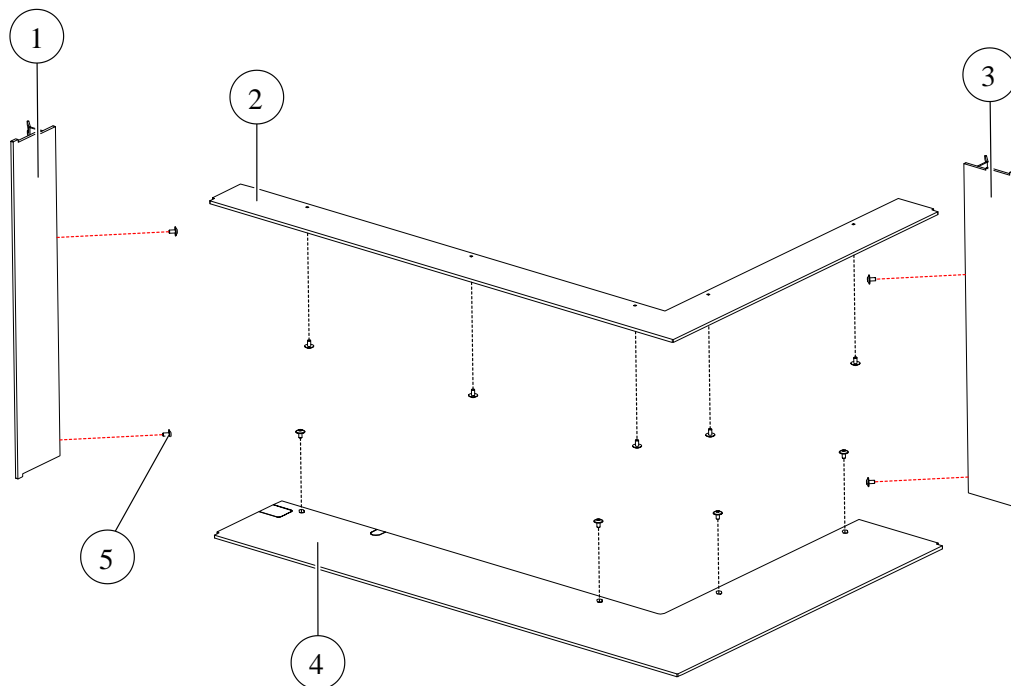
Pos.	Article.	Designation	Pcs.
1	W048103	Insulation plate combustion chamber side R (only for RIGHT)	1
2	W048104	Insulation plate combustion chamber side L (only for LEFT)	1
3	W048102	Deflection plate above	1
4	W048169	Rear deflection vertical	1
5	W048101	Insulation plate door side	1
6	W048170	Deflection plate bottom horizontal	1
7	W048107	Insulation plate front vertical	1

4.6 MOUNTING FRAME 50 MM (I062013-03)



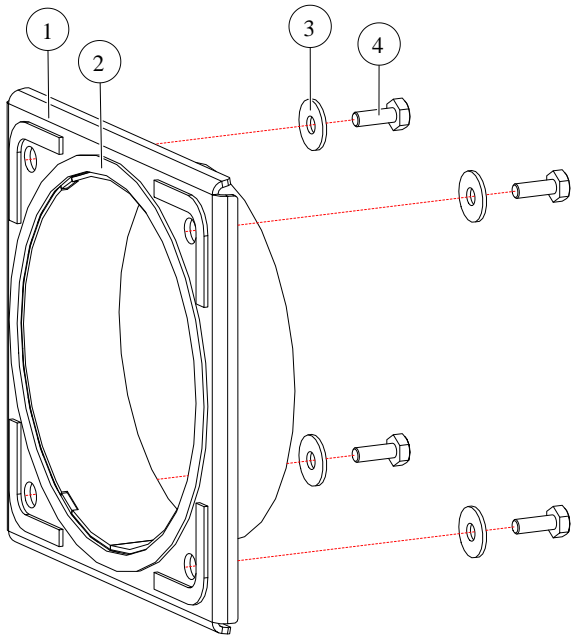
Pos.	Teilenr.	Bezeichnung	Stk.
1	I051042-01	BG panel 45°	2
2	I012248-1	Top lining	1
3	00947	Sheet metal nut M5	5
4	I012249-1	Bottom lining	1
5	02582	Flanged button head screw M5x8	13

4.7 MOUNTING FRAME 70 MM (I062014-01)



Pos.	Teilenr.	Bezeichnung	Stk.
1	I062064-01	BG tile stop left 70mm	1
2	I012263-01	Top lining 70mm	1
3	I062066-01	BG tile stop right 70mm	1
4	I012264-01	Bottom lining 70mm	1
5	02582	Flanged button head screw M5x8	13

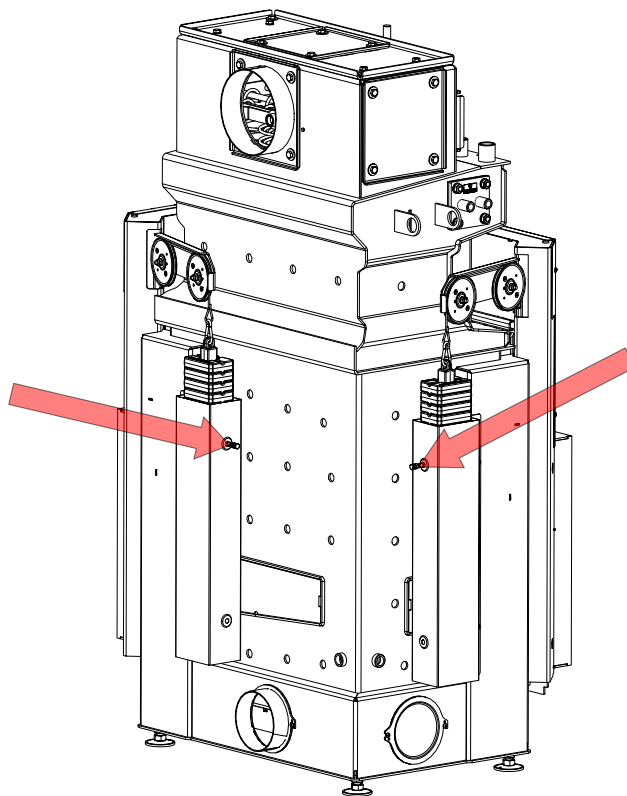
4.8 SMOKE GAS OUTLET D180 (W048145)



1	W048146	Smoke gas outlet D180	1
2	W038122	Sealing tape flue gas nozzle	1
3	800131	Washer	4
4	800151	Hex bolt M8x20	4

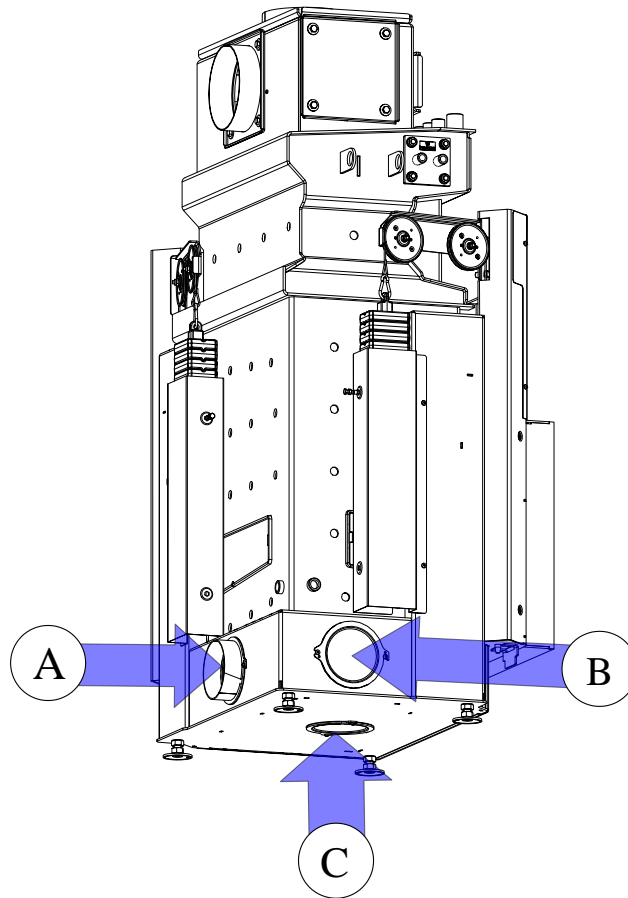
5 INSTALLATION

5.1 REMOVAL OF THE TRANSPORT SAFETY DEVICES

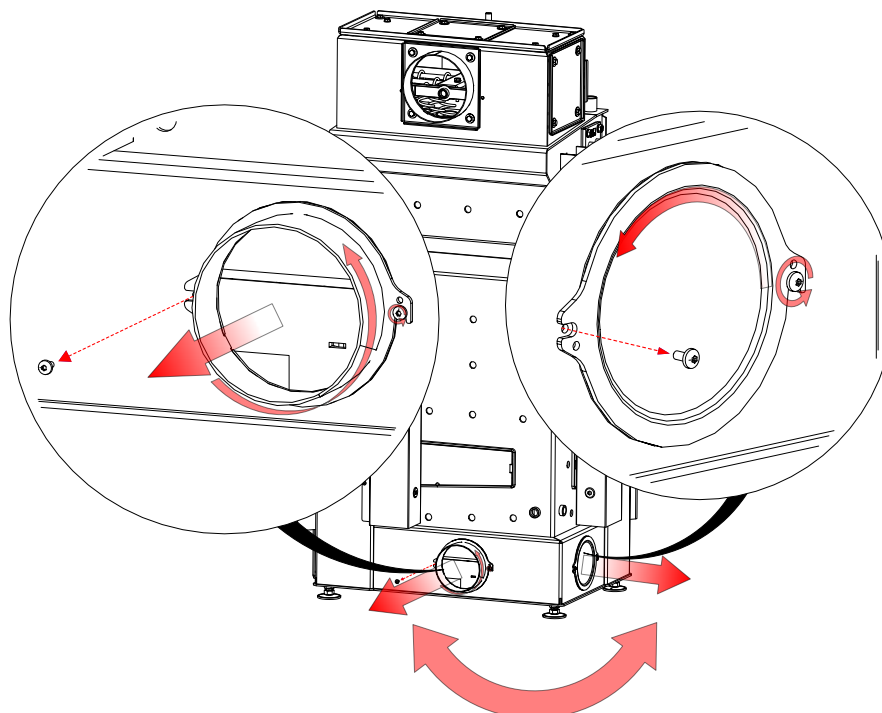


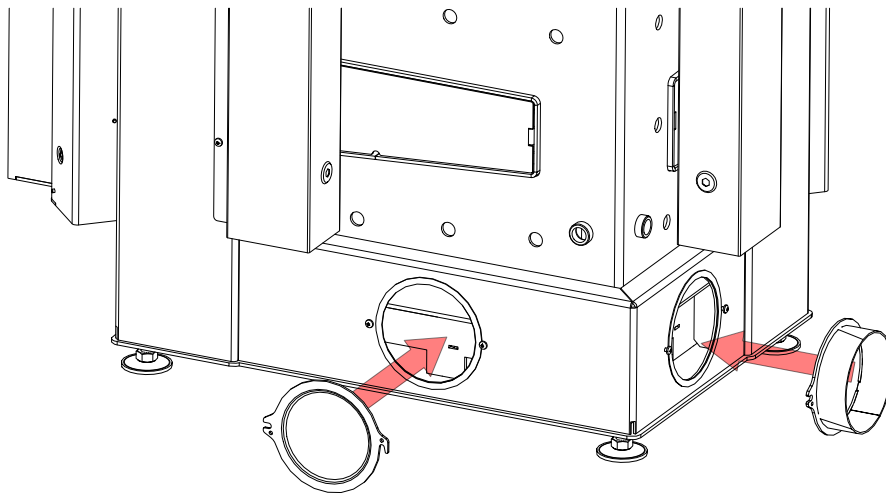
5.2 AIR SUPPLY CONNECTION

Possible Positions
for the air supply connection:
A (provided by default)
or B
or C



Possible change A -> B bzw. C





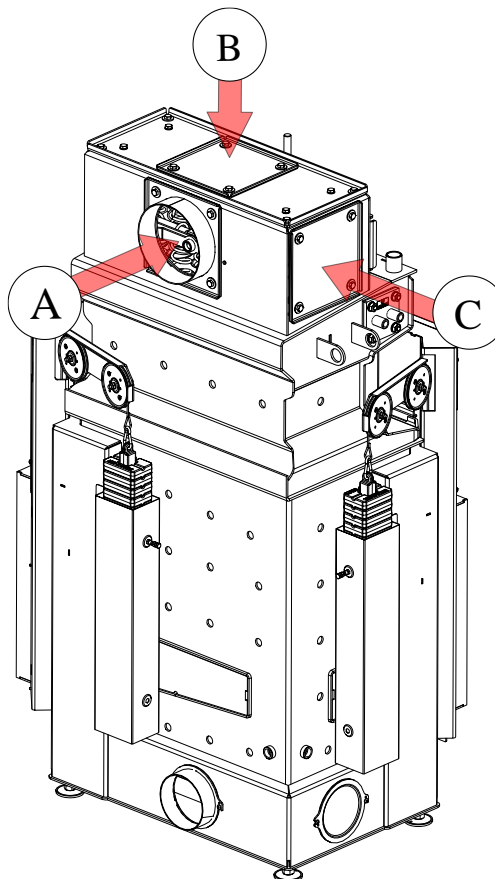
5.3 CONNECTION FOR FLUE GAS OUTLET

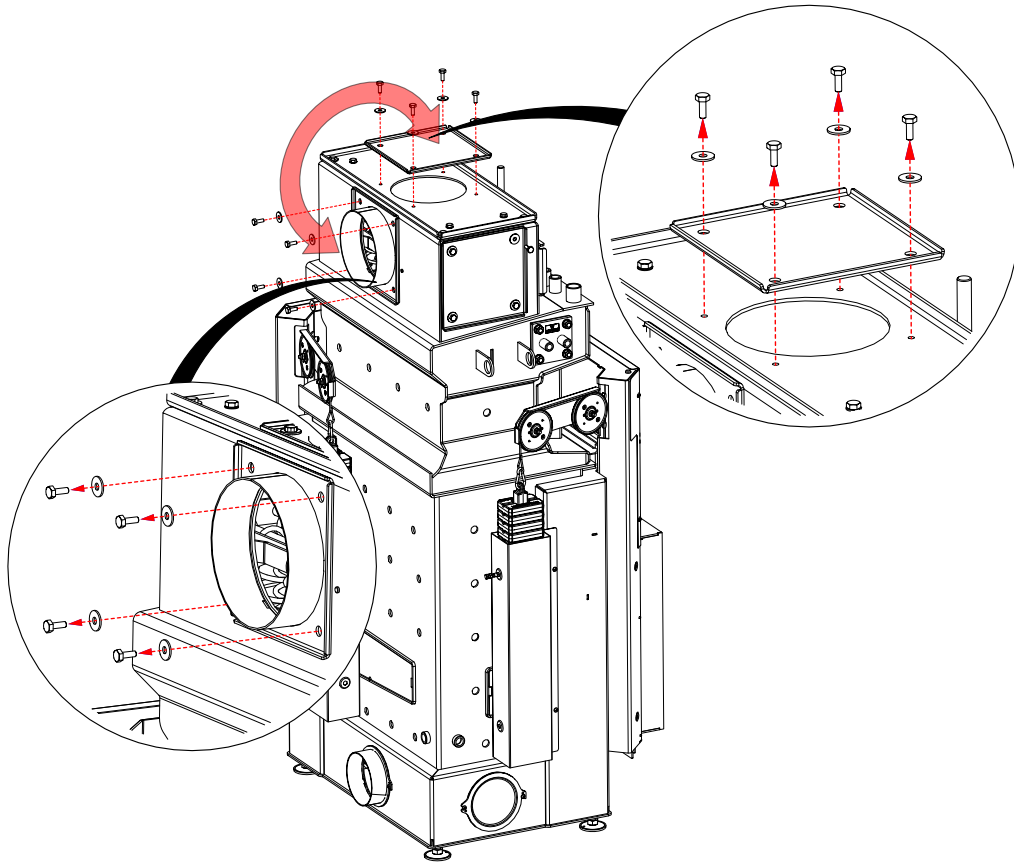
Possible positions for the flue gas outlet:

A (provided by default)

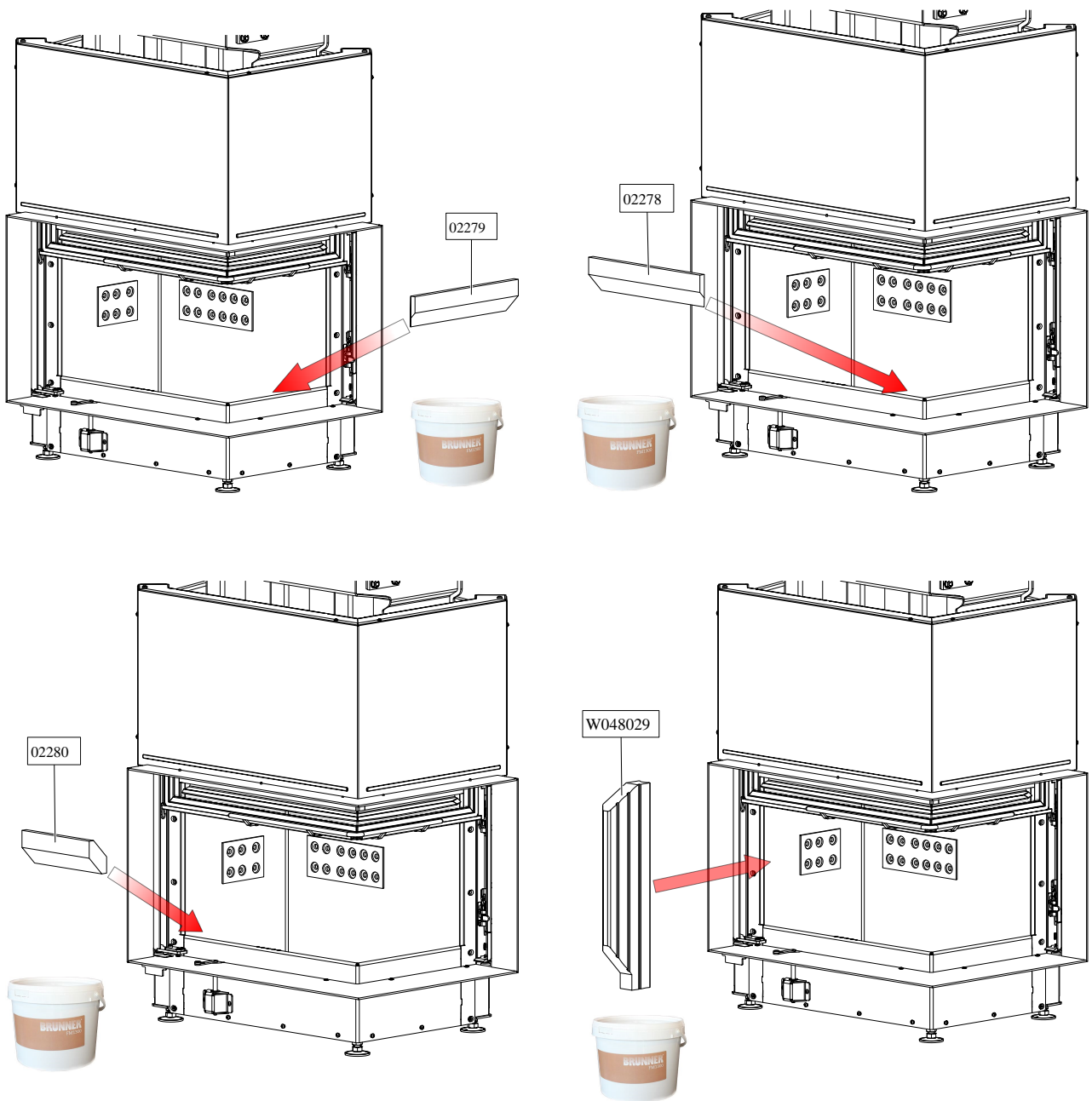
or B

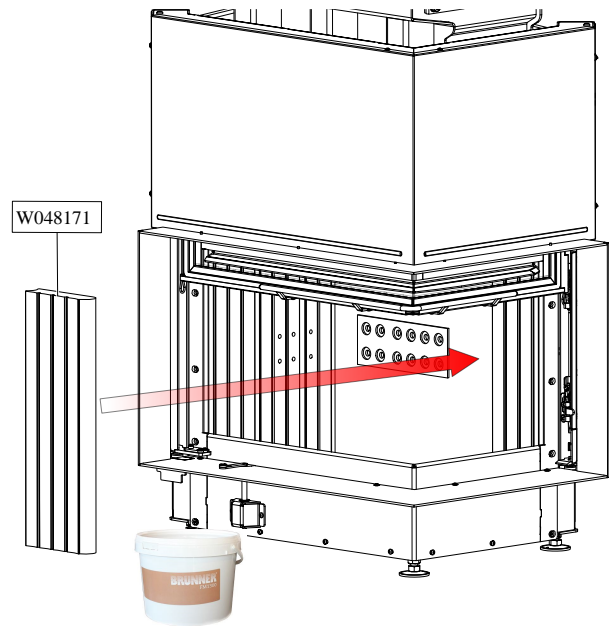
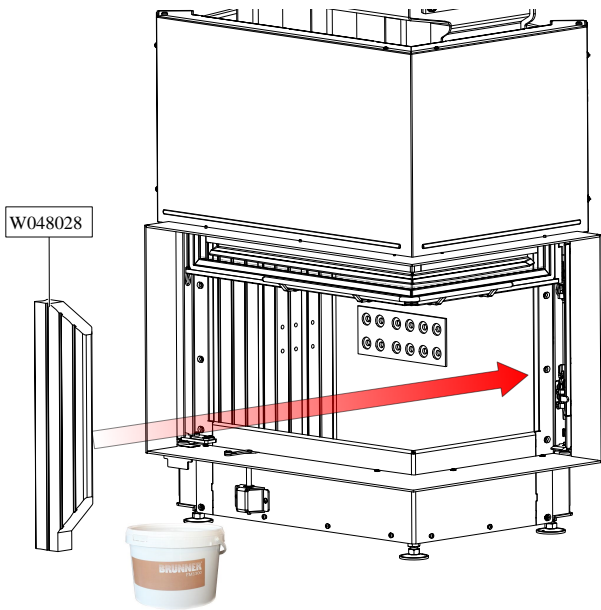
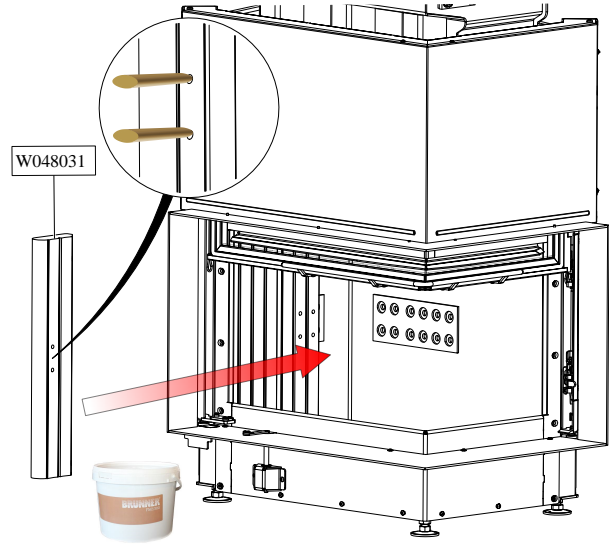
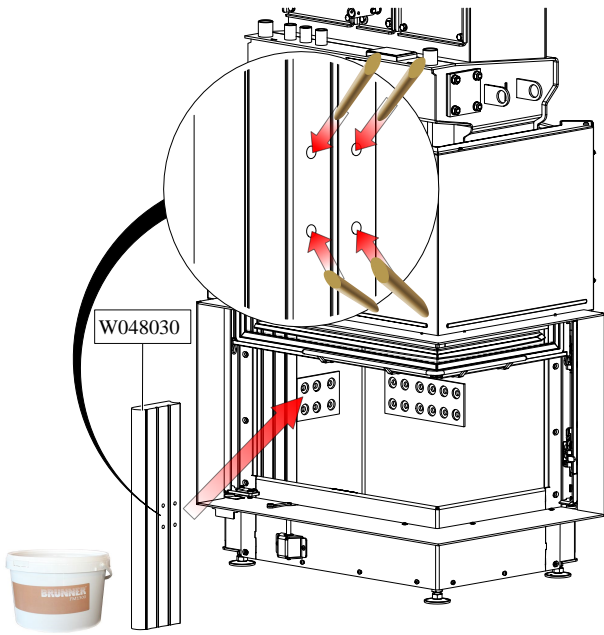
or C

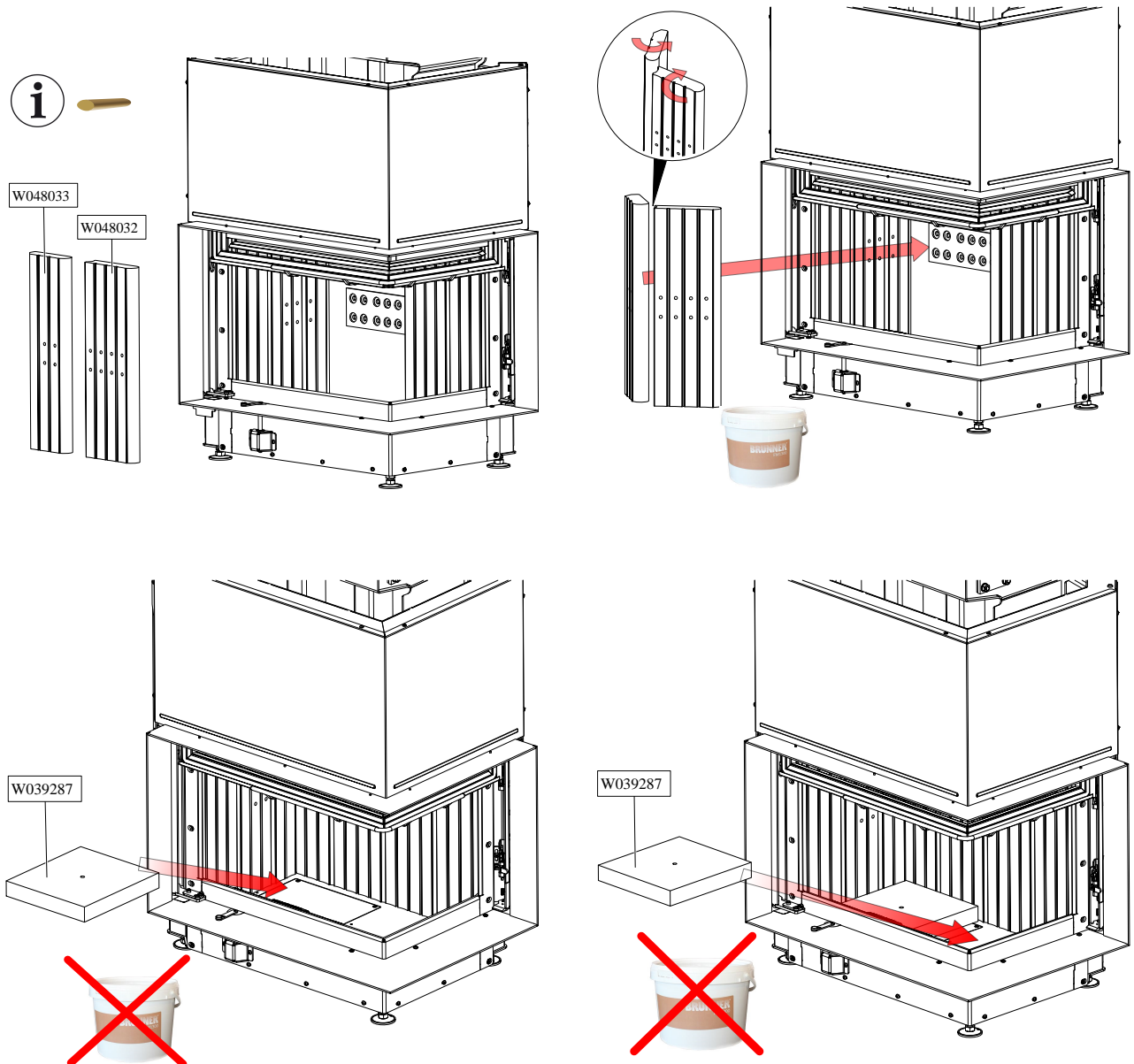


Possible change A -> B bzw. C

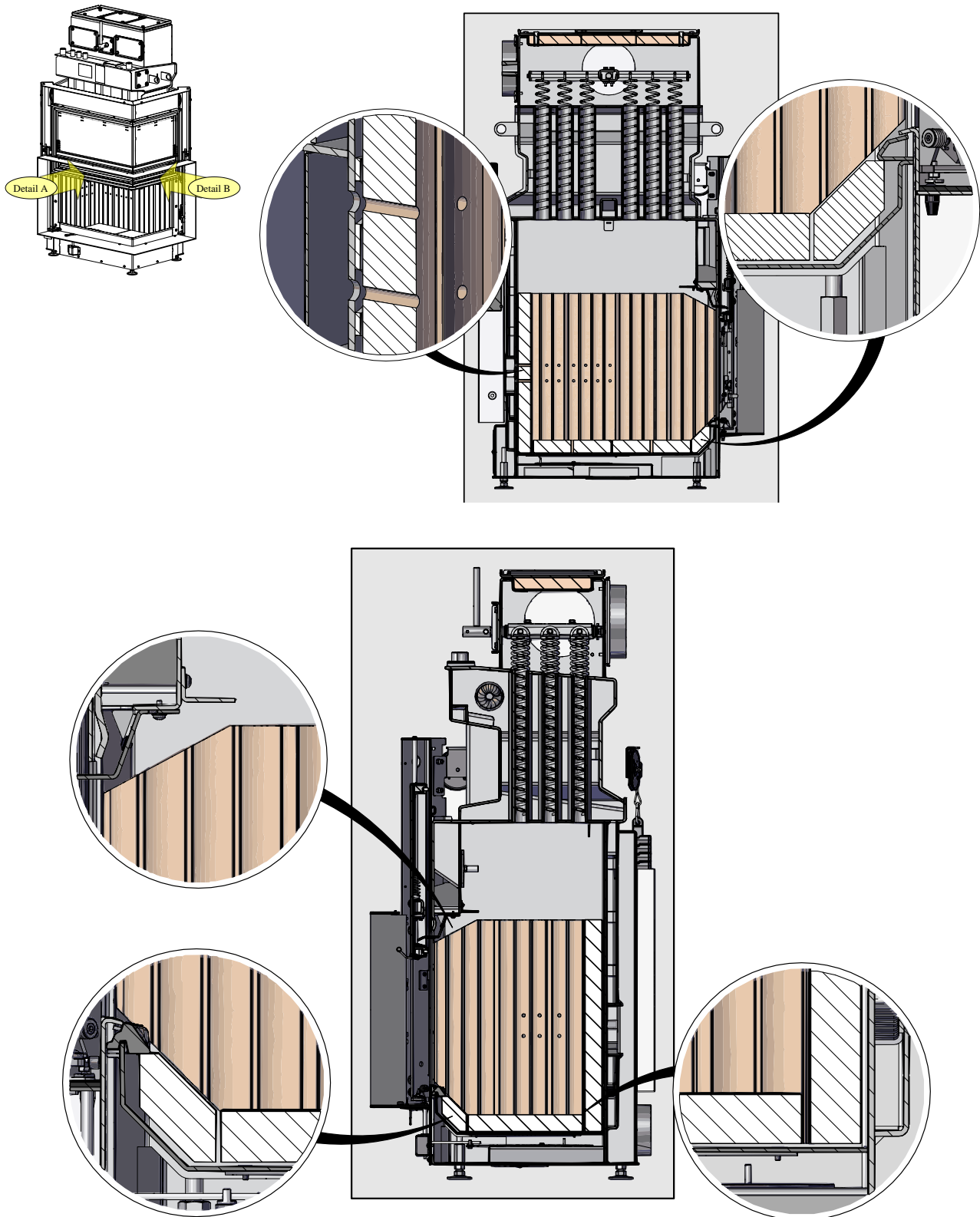
5.4 FIRECLAY LINING (CHAMOTTE)



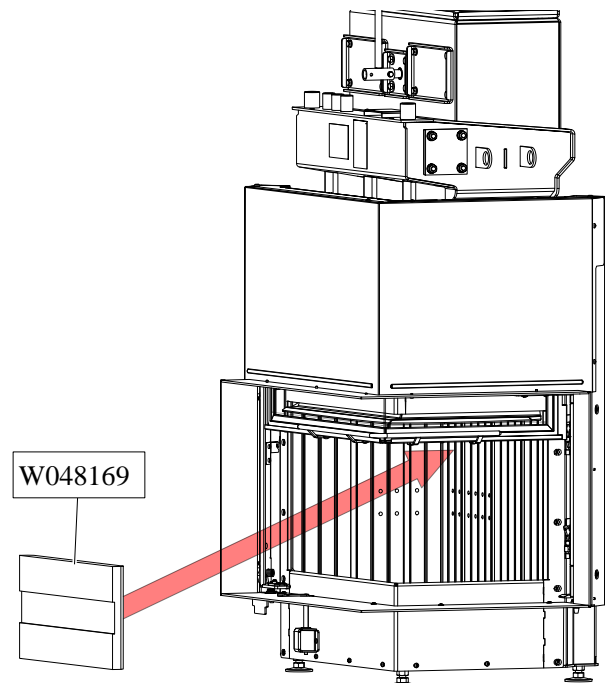
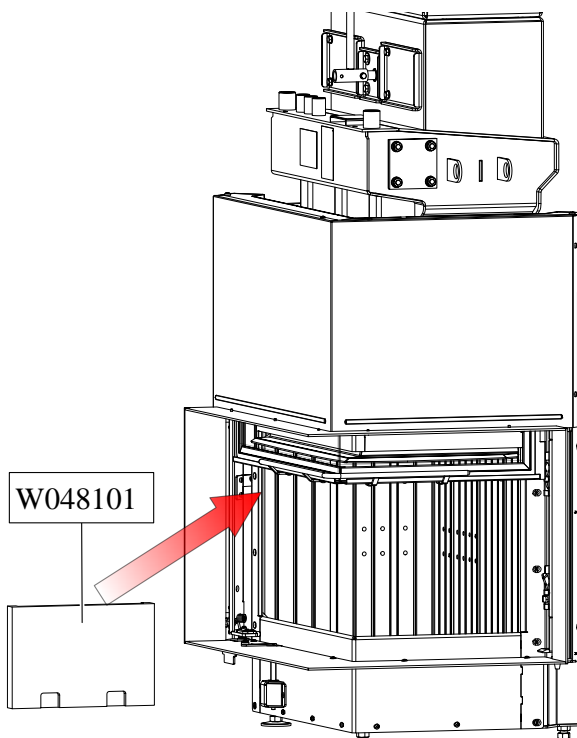
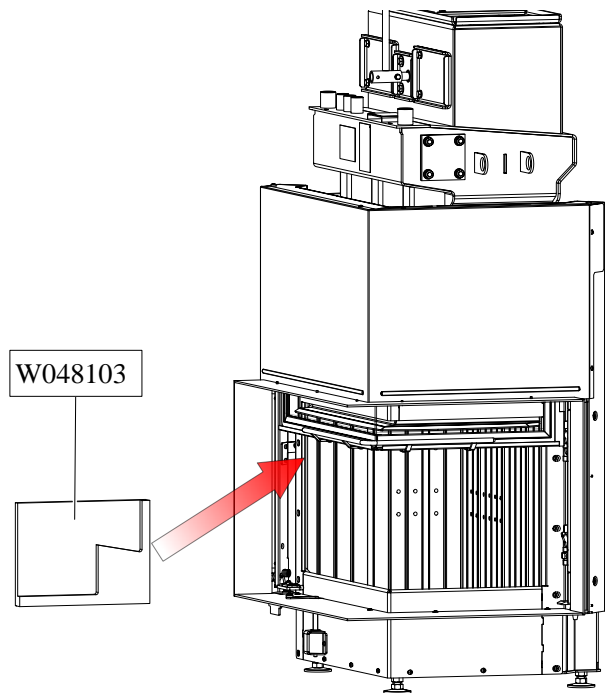
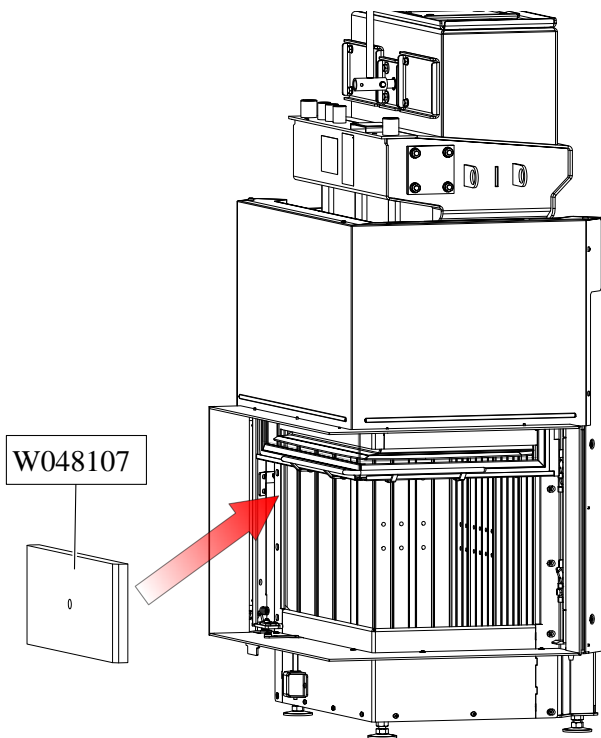


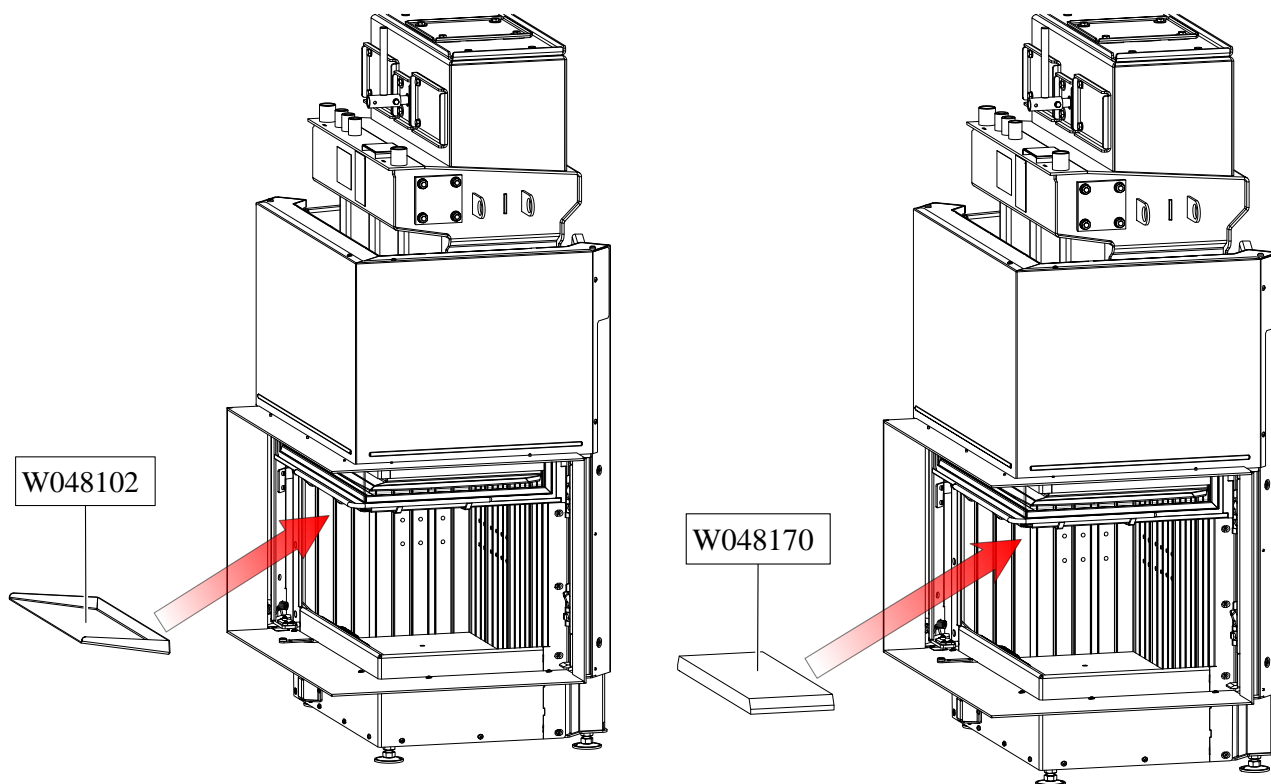


Details

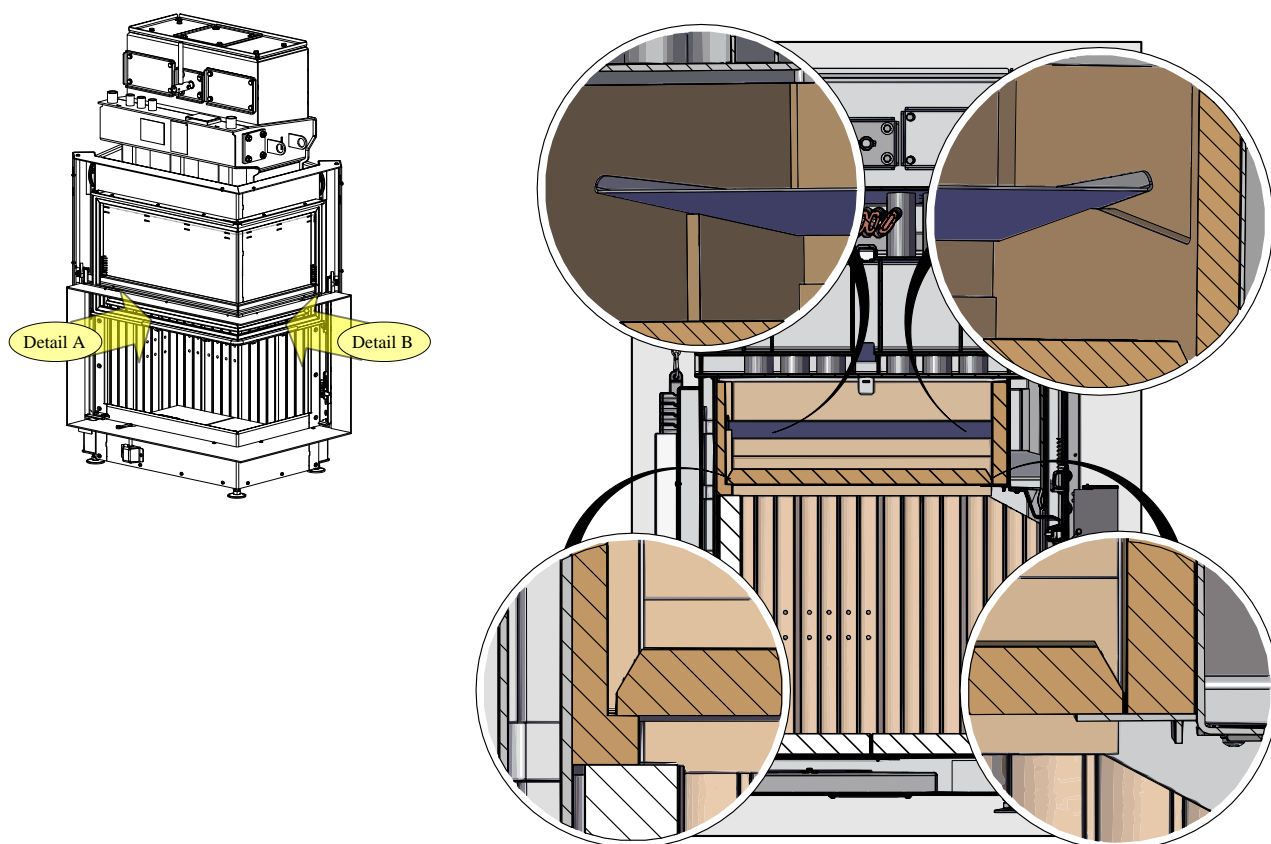


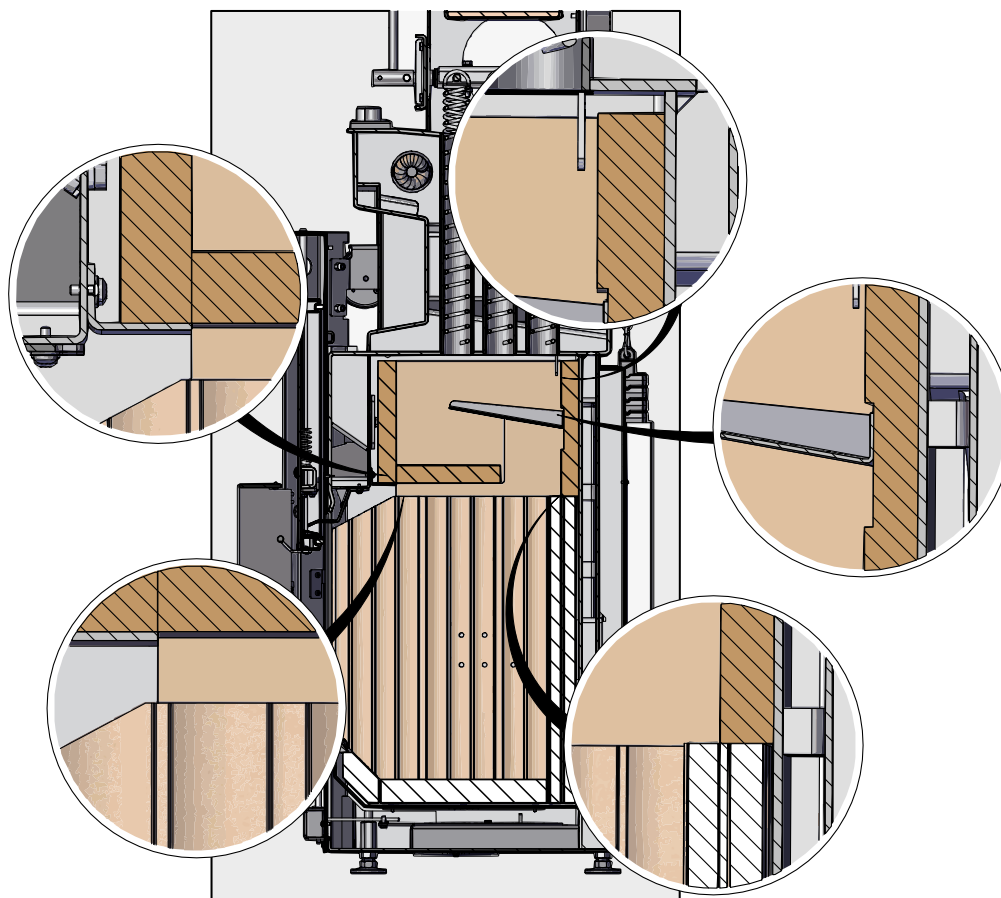
5.5 INSTALLATION OF DEFLECTION



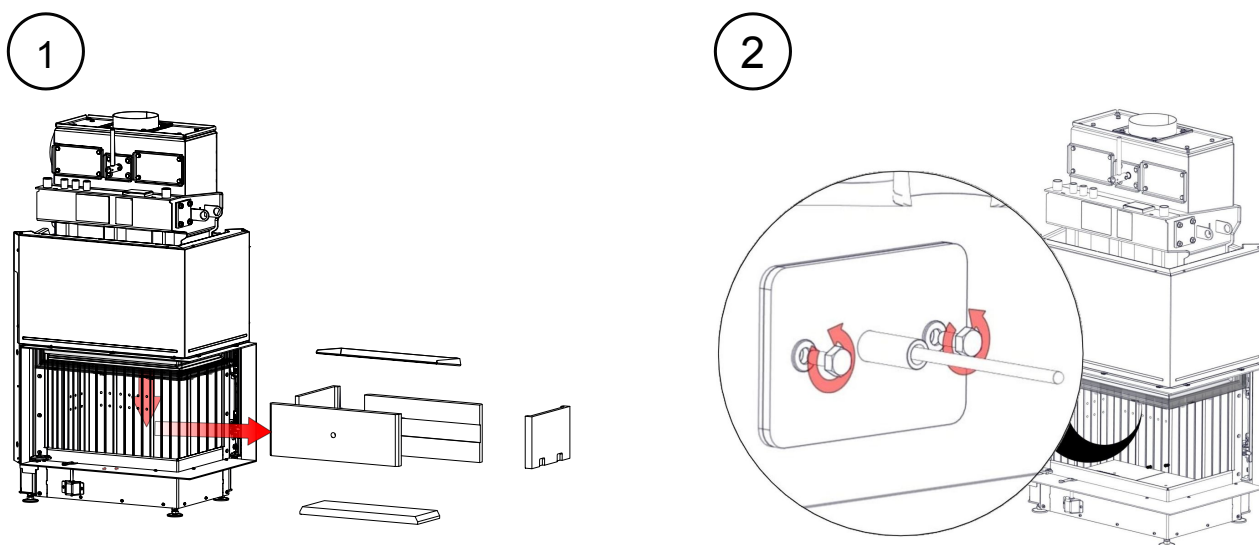


Details

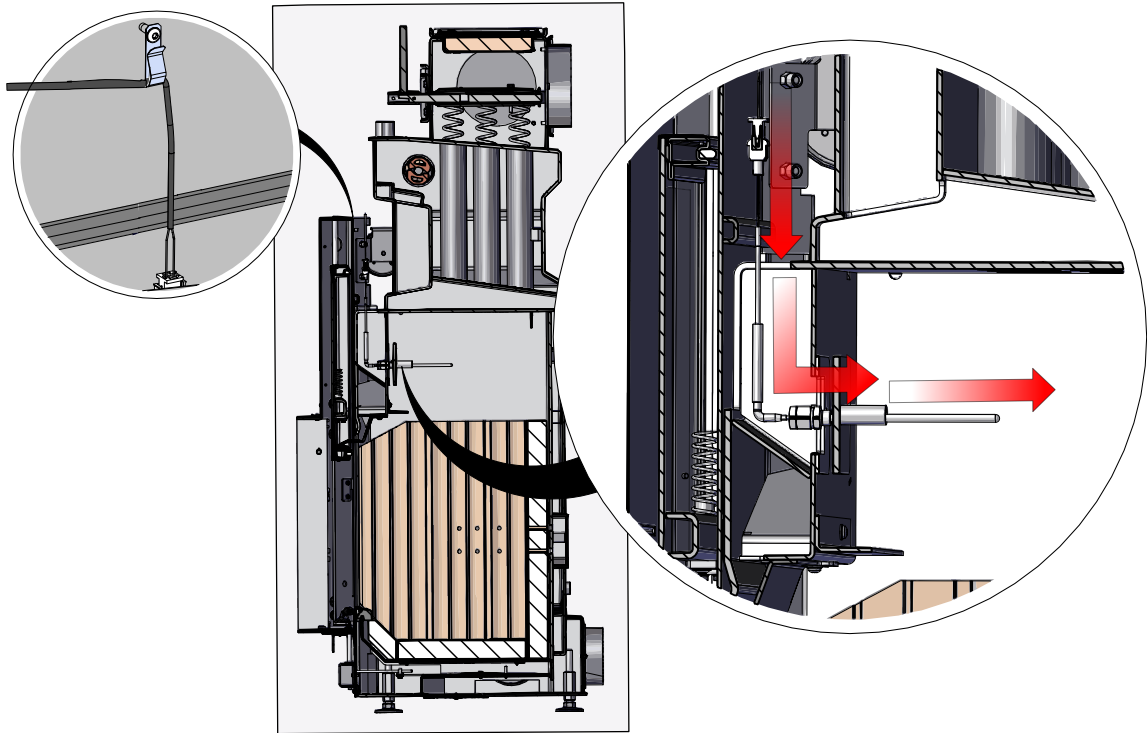




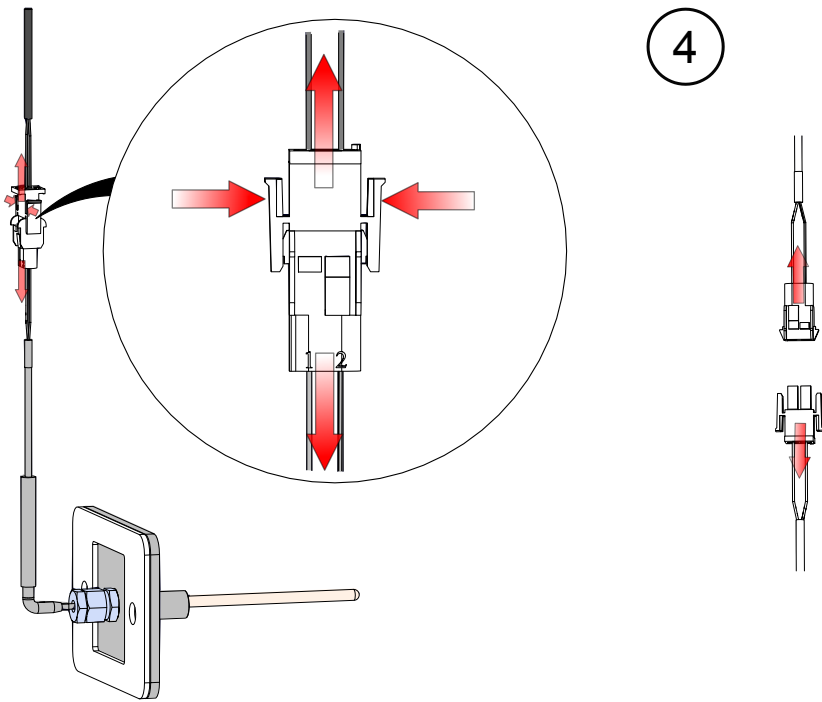
5.6 EXCHANGE OF DEFLECTOR PLATES AND THERMOCOUPLE



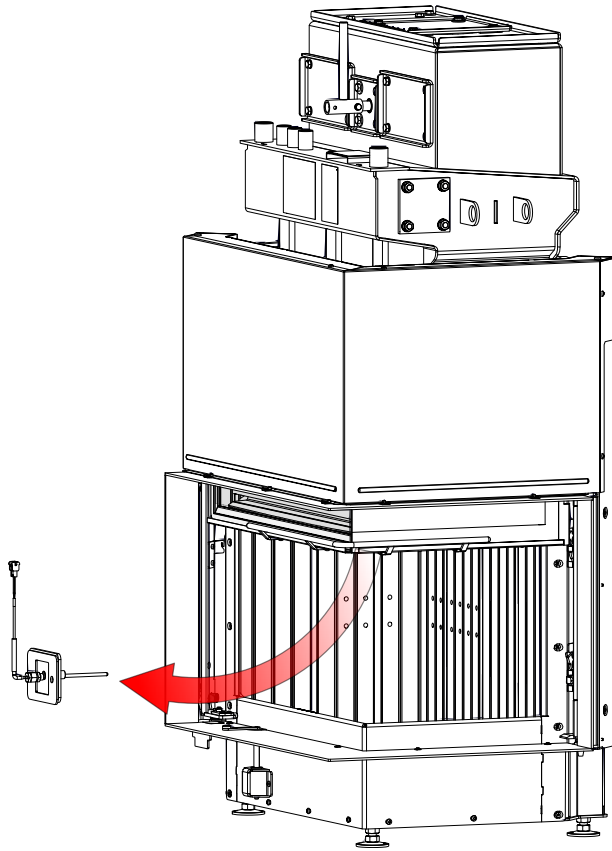
3



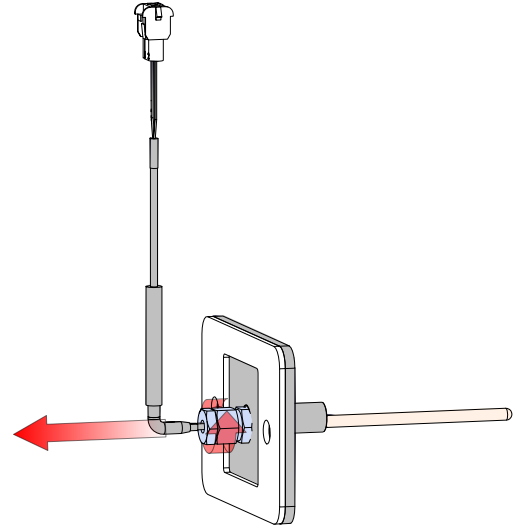
4



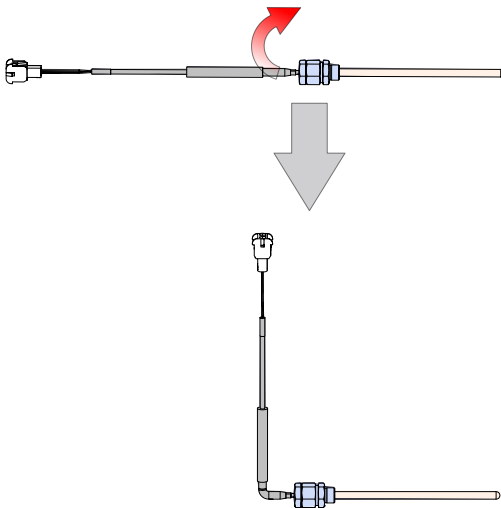
5



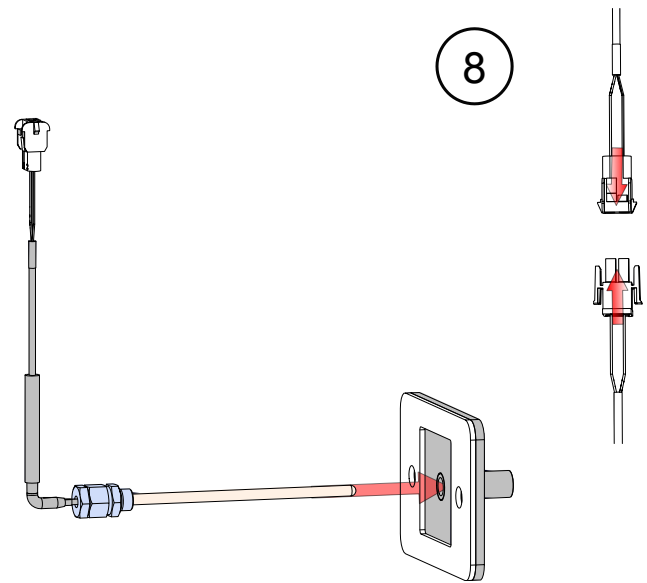
6



7



8



6 → 5 → 4 → 3 → 2 → 1

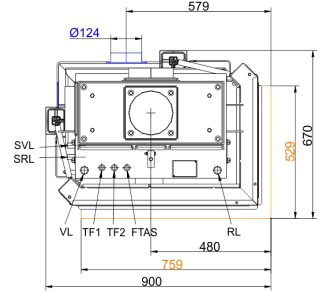
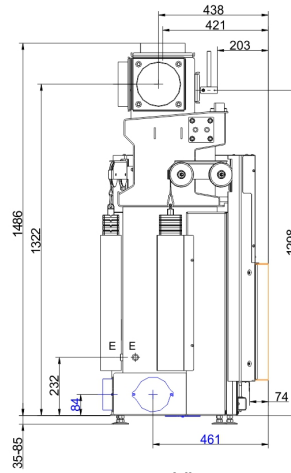
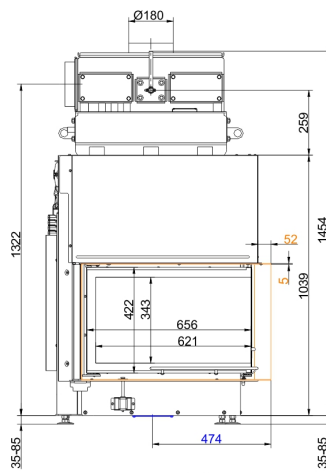
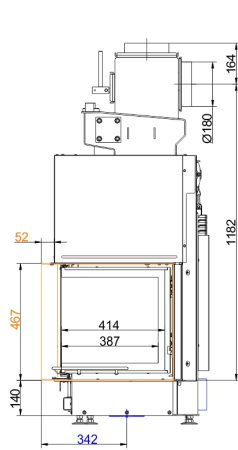
6 DIRECTIVES

The following standards and directives must be respected when setting up or using a heating system:

TROL	Stove fitting rules and regulations for warm air heating systems
FeuVo	"Feuerungsverordnung" (Fireplace Act; relevant for German Federal Lands)
EnEV	Energy Saving Regulation
BO	Regional building codes
VDE	electronic installation instructions
	List of technical building regulations
EN 12831	Calculation of the standard heating load
EN 12828	Heating systems in buildings
EN 14597	Temperature control devices and limiters for heat generating systems
TRD 721 oder DIN EN ISO 4126	Safety devices against excessive pressure - safety valves Safety devices against impermissible overpressure - safety valves
DIN 18 160	Abgasanlagen
EN13384	Exhaust systems: Thermal and fluidic calculation methods - Part 1: exhaust systems with a fireplace - Part 2: exhaust systems with several fireplaces
DVGW-Worksheet W551	Technical rules for drinking water installations
In addition, it is necessary to observe the local building law and regulations for heating systems valid in your country.	

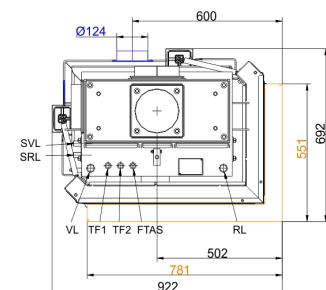
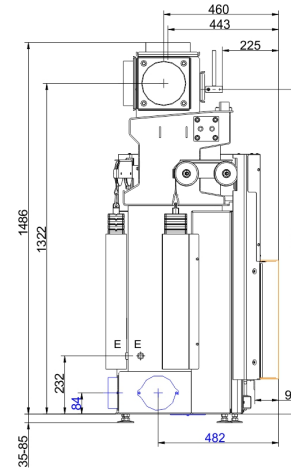
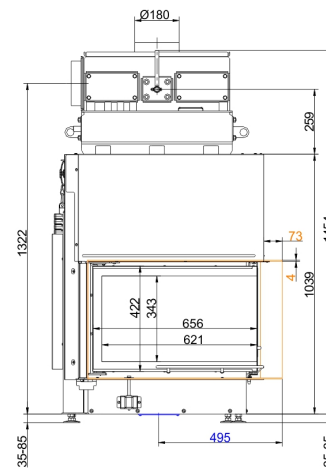
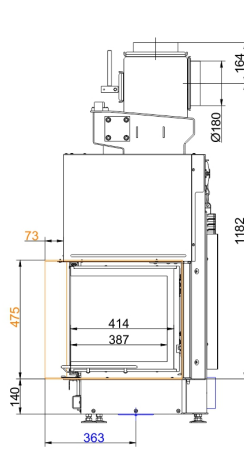
The listing does not claim to be complete!

Dimension sheets - Kamin-Kessel Eck 45/67/44 lifting door (easy-lift)



- VL supply 1" ext. th.
- RL return boiler 1" ext. th.
- E drain 1/2" int. th.
- SVL supply cooling pipe outlet ext. th.
- SRL return cooling pipe outlet 1/2" ext. th.
- FTAS socket for thermal safety sensor int. th.
- TF1 socket 1/2" for sensor int. th.
- TF2 socket 1/2" for sensor int. th.

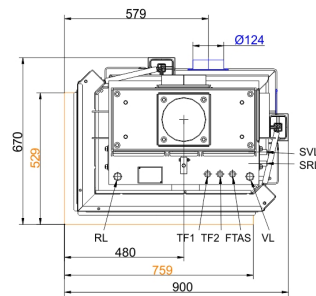
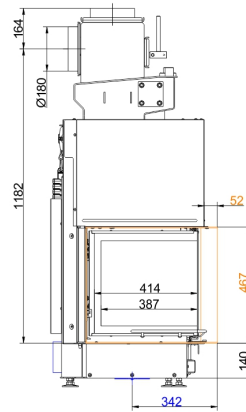
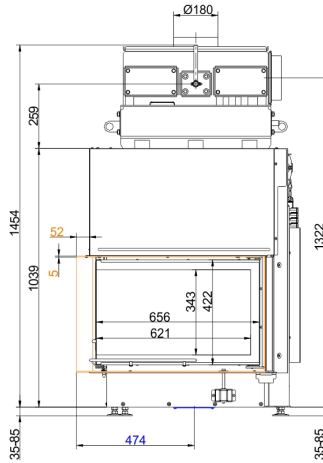
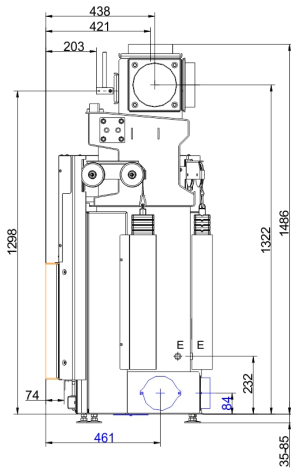
... right with mounting frame 50 mm



- VL supply 1" ext. th.
- RL return boiler 1" ext. th.
- VL supply boiler 5/4"
- SVL supply cooling pipe outlet ext. th.
- SRL return cooling pipe outlet 1/2" ext. th.
- FTAS socket for thermal safety sensor int. th.
- TF1 socket 1/2" for sensor int. th.
- TF2 socket 1/2" for sensor int. th.

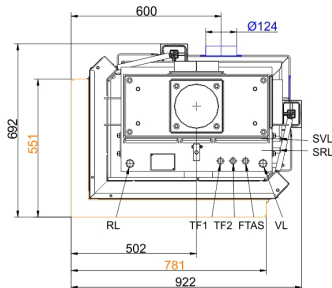
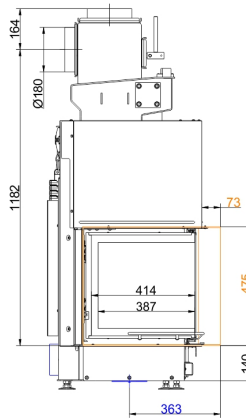
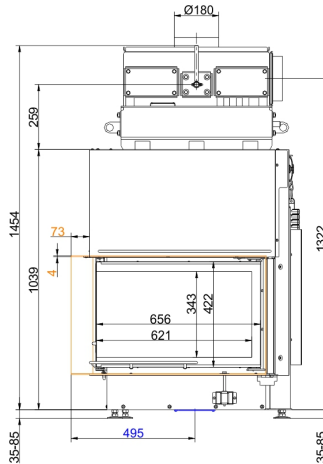
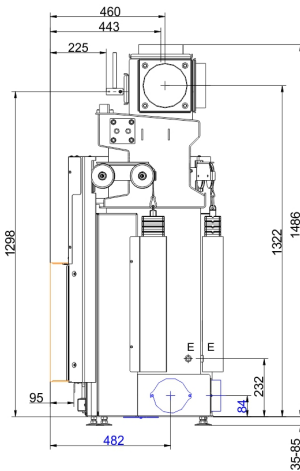
... right with mounting frame 70 mm

Dimension sheets - Kamin-Kessel Eck 45/67/44 lifting door (easy-lift)



- VL supply 1" ext. th.
- RL return boiler 1" ext. th.
- E drain 1/2" int. th.
- SVL supply cooling pipe outlet ext. th.
- SRL return cooling pipe outlet 1/2" ext. th.
- FTAS socket for thermal safety sensor int. th.
- TF1 socket 1/2" for sensor int. th.
- TF2 socket 1/2" for sensor int. th.

... left with mounting frame 50 mm



- VL supply 1" ext. th.
- RL return boiler 1" ext. th.
- E drain 1/2" int. th.
- SVL supply cooling pipe outlet ext. th.
- SRL return cooling pipe outlet 1/2" ext. th.
- FTAS socket for thermal safety sensor int. th.
- TF1 socket 1/2" for sensor int. th.
- TF2 socket 1/2" for sensor int. th.

... left with mounting frame 70 mm

We suggest for CAD planing Palette CAD. Permanent updated drawings: www.brunner.de
Frames / front versions are marked colored.

Planning and installation - Kamin-Kessel Eck 45/67/44 lifting door (easy-lift)

Tested according to		EN 13229 W	EN 13229 W
Values measured at		Rated capacity	practical avg.
EEl		110.1	110.1
Data for functional demonstration			
Rated heat power	kW	12	-
Fire wood volume	kg/h	3.6	5.7
Combustion performance	kW	14	24
Flue gas mass flow	g/s	14	19.5
Flue gas temperature after:			
boiler	°C	150	200
Necessary supply pressure	Pa	12	12
Combustion air consumption	m ³ /h	35	50
Combustion air connection Ø	mm	125	125
Heat distribution			
Insert / heat accumulator	%	10 / -	10 / -
Glass pane (single / double)	%	35 / -	35 / -
Boiler	%	55	55
Cross-section of gratings ¹⁾			
Convection air	cm ²	200 / 200 / -	200 / 200 / -
Supply air	cm ²	200 / 200 / -	200 / 200 / -
Minimal distances of the fireplace			
to insulation layer	cm	6	6
to mounting floor	cm	2	2
Thermal insulation without / with air gratings ²⁾			
Mounting wall	cm	8	8
Floor	cm	0	0
Ceiling	cm	10	10
Brick lining for combustible wall	cm	10	10
Water boiler data			
Max. operating pressure	bar	3	3
Max. flow temperature	°C	100	100
Water volume	liter	61	61
Connections flow / return	inches	1	1
Weight			
Fireplace / combustion chamber	kg	346 / 62	
Meets requirement/limit values for:			
Germany/ Austria / Suisse / Norway		1.BImSchV (Stufe 2) / 15a BVG (2015) / LRV / -	

1) for fireplace inserts / flue gas pipe / metallic reheating surface

2) Values determined with upper air sections; stove cladding is heat emitting.

Ulrich Brunner GmbH

Zellhuber Ring 17-18

D-84307 Eggenfelden

Tel.: +49 (0) 8721/771-0

Fax: +49 (0) 8721/771-100

Email: info@brunner.de

Art.Nr.: 202020