

BRUNNER WATER BOILERS



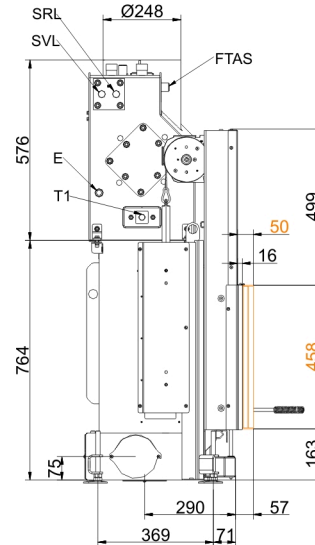
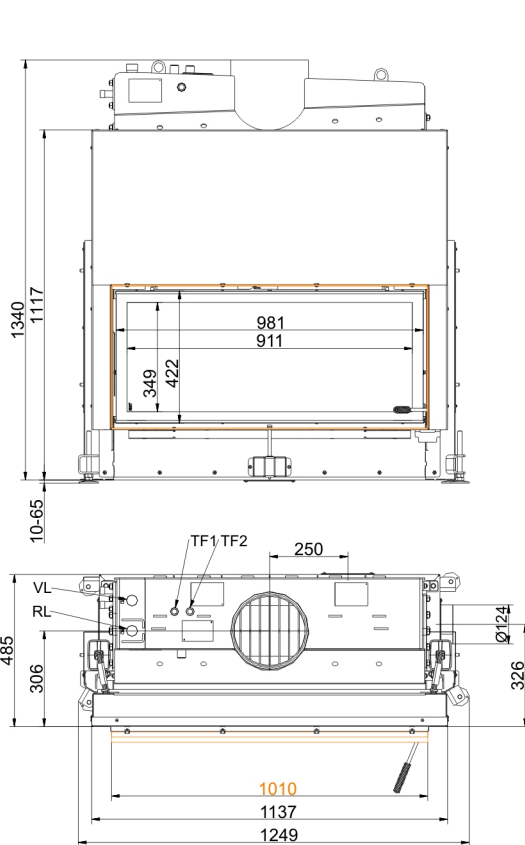
Architektur 45/101 with top-mount boiler lifting door

State: 2023-09-08



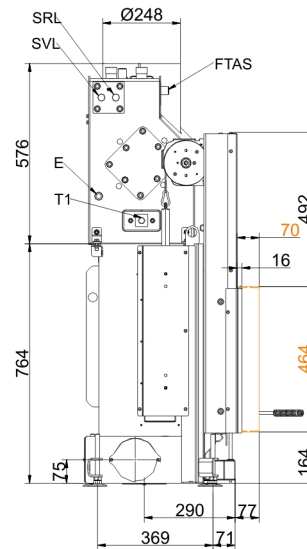
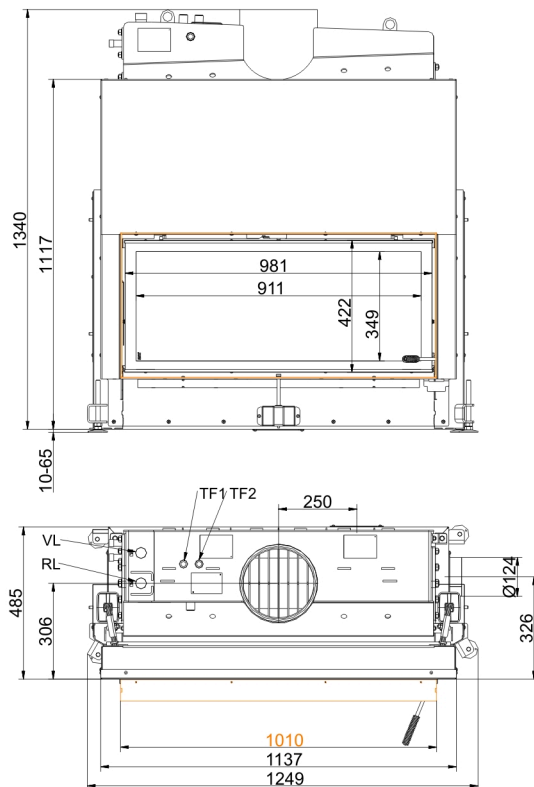
BRUNNER[®]
made in germany.

Dimension sheets - Architektur 45/101 with top-mount boiler lifting door



- VL supply 1"ext. th.
- RL return boiler 1"ext.th.
- E drain 1/2"int. th.
- SVL supply cooling pipe outlet ext.th.
- SRL return cooling pipe outlet 1/2"ext.th.
- FTAS socket for thermal safety sensor int.th.
- TF1 socket 1/2" for sensor int.th.
- TF2 socket 1/2" for sensor int.th.

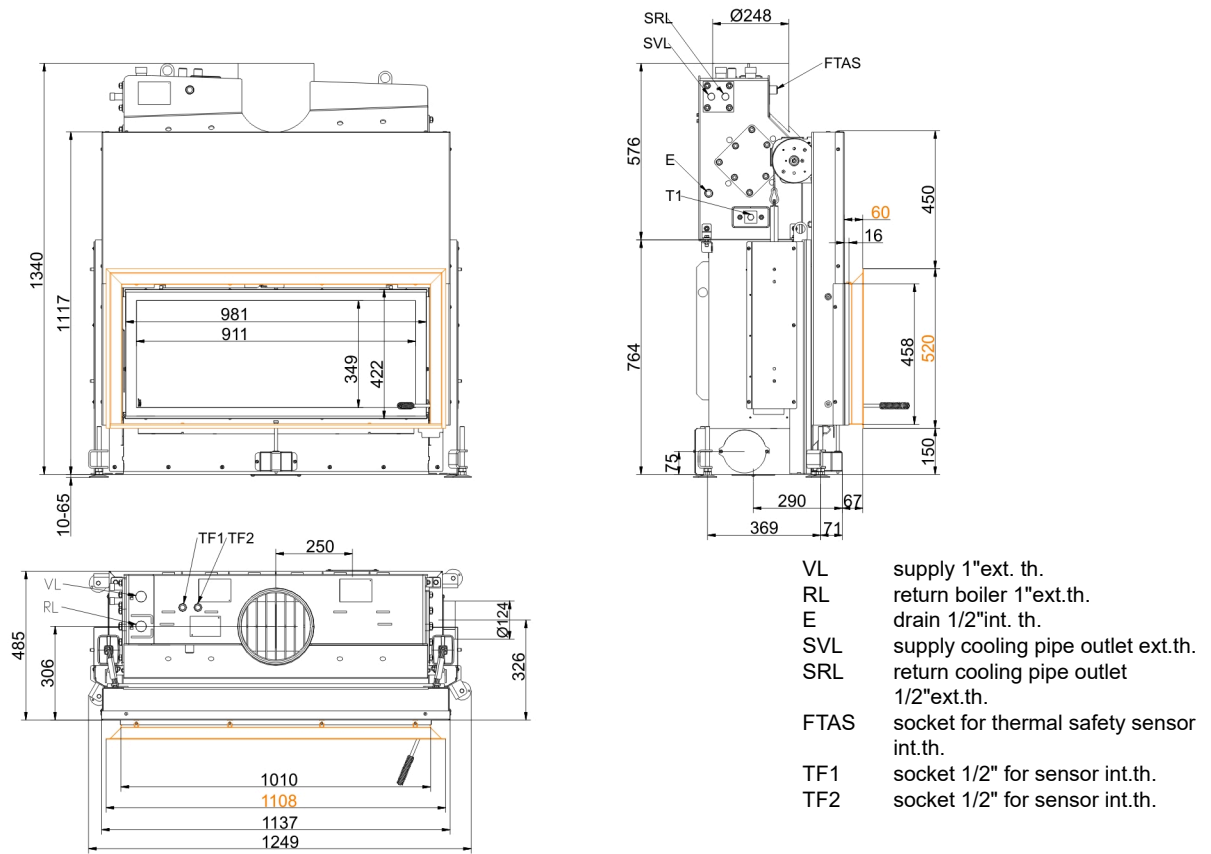
... with mounting frame 50 mm



- VL supply 1"ext. th.
- RL return boiler 1"ext.th.
- E drain 1/2"int. th.
- SVL supply cooling pipe outlet ext.th.
- SRL return cooling pipe outlet 1/2"ext.th.
- FTAS socket for thermal safety sensor int.th.
- TF1 socket 1/2" for sensor int.th.
- TF2 socket 1/2" for sensor int.th.

... with mounting frame 70 mm

Dimension sheets - Architektur 45/101 with top-mount boiler lifting door



... with door frame

We suggest for CAD planning Palette CAD. Permanent updated drawings: www.brunner.de
 Frames/ flue gas outlet connection/ combustion air supply connection/ front variants/ support bearing are marked in color.

Planning and installation - Architektur 45/101 with top-mount boiler ^{lifting}

door

Tested according to	EN 13229 W	EN 13229 W
Values measured at	Rated power	Practical avg.

Data for functional demonstration

Rated heat power	kW	14	-
Fire wood volume	kg/h	4	5.1
Combustion performance	kW	15.8	20.4
Flue gas mass flow	g/s	11.9	20.1
Flue gas temperature after:			
boiler	°C	142	149
Necessary supply pressure	Pa	12	12
Combustion air consumption	m ³ /h	40	50
Combustion air connection Ø	mm	125	125

Heat distribution

Insert / reheating surface	%	10 - 15 / -	10 - 15 / -
Glass pane (single / double)	%	35 / 30	35 / 30
Boiler	%	55	55
Boiler part without insulation, double glass	%	55	55

Cross-section of gratings ¹⁾

Convection air	cm ²	300 / 200 / -	300 / 200 / -
Supply air	cm ²	300 / 200 / -	300 / 200 / -

Minimal distances of the fireplace

to cladding, insulation layer	cm	6	6
to mounting floor	cm	1	1

Thermal insulation without / with air gratings

Mounting wall	cm	10 / 8	10 / 8
Floor	cm	0 / 0	0 / 0
Ceiling	cm	10 / 8	10 / 8
Brick lining for combustible wall	cm	10	10

Water boiler data

Max. operating pressure	bar	3	3
Max. flow temperature	°C	100	100
Water volume	liter	55	55
Connections flow / return	inches	1	1

Weight

Fireplace / combustion chamber ²⁾	kg	(200 + 159) / 80
--	----	------------------

Meets requirement/limit values for:

Germany/ Austria / Switzerland / Norway	1.BImSchV (Stufe 2) / 15a BVG (2015) / LRV / -
---	--

1) for fireplace inserts / flue gas pipe / metallic reheating surface

2) Fireplace insert = body + top mounted exchanger