



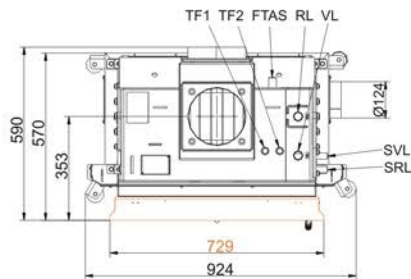
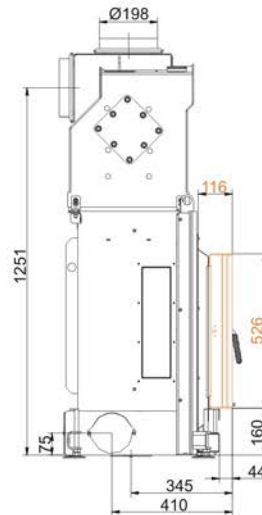
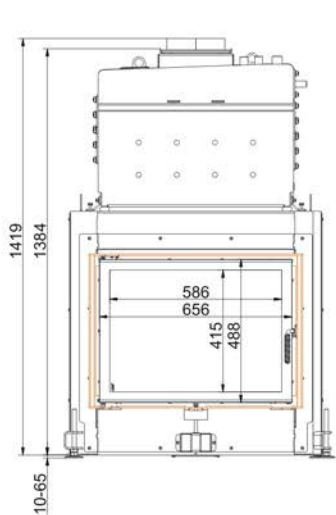
Stil-Kamin 51/67 with top-mount boiler

State: 2019-07-15



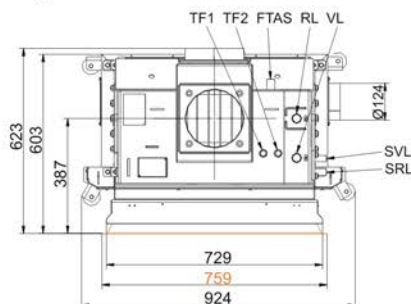
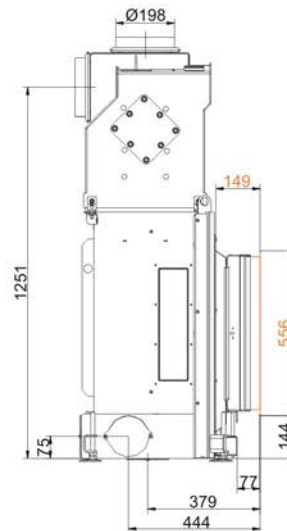
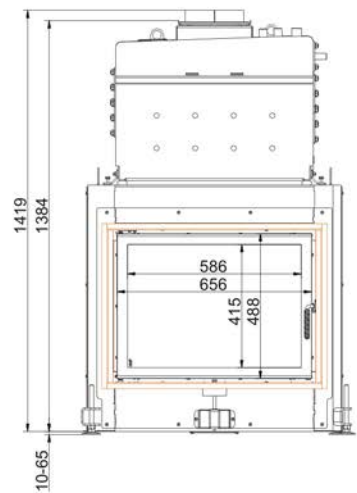
BRUNNER[®]
made in germany.

Dimension sheets - Stil-Kamin 51/67 with top-mount boiler



- VL supply 1"ext. th.
- RL return boiler 1"ext.th.
- E drain 1/2"int. th.
- SVL supply cooling pipe outlet ext.th.
- SRL return cooling pipe outlet 1/2"ext.th.
- FTAS socket for thermal safety sensor int.th.
- TF1 socket 1/2" for sensor int.th.
- TF2 socket 1/2" for sensor int.th.

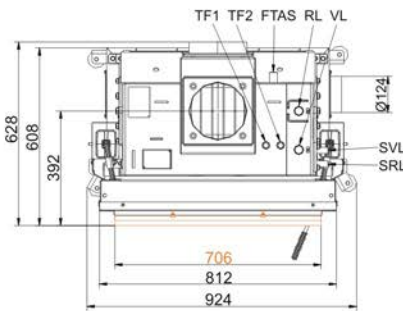
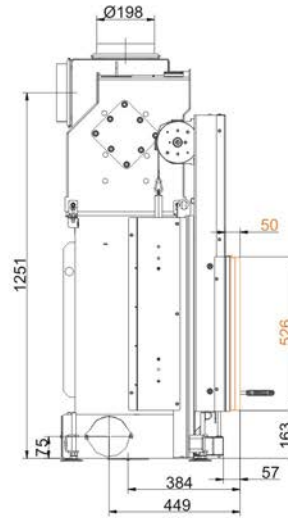
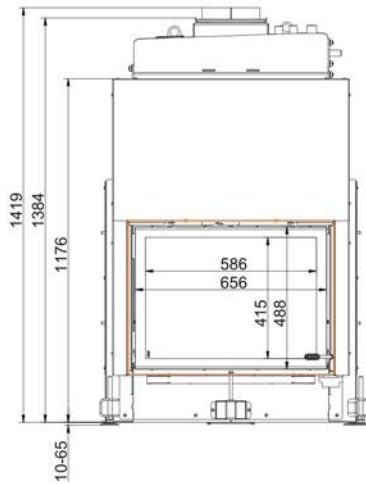
... side opening with mounting frame



- VL supply 1"ext. th.
- RL return boiler 1"ext.th.
- E drain 1/2"int. th.
- SVL supply cooling pipe outlet ext.th.
- SRL return cooling pipe outlet 1/2"ext.th.
- FTAS socket for thermal safety sensor int.th.
- TF1 socket 1/2" for sensor int.th.
- TF2 socket 1/2" for sensor int.th.

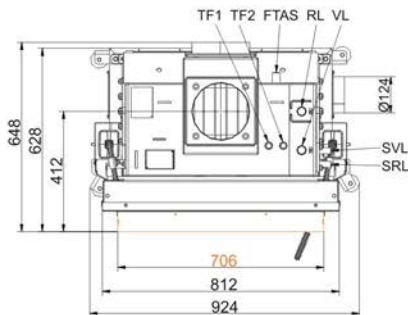
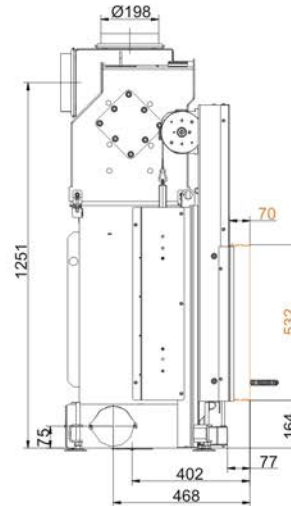
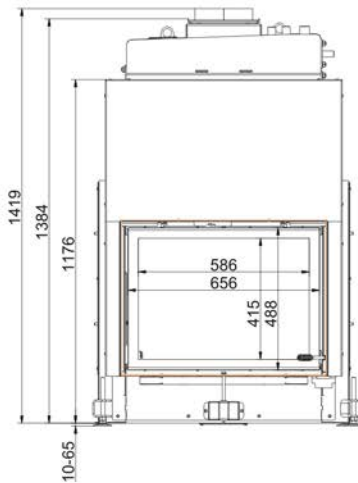
... side opening with door frame

Dimension sheets - Stil-Kamin 51/67 with top-mount boiler



- VL supply 1"ext. th.
- RL return boiler 1"ext.th.
- E drain 1/2"int. th.
- SVL supply cooling pipe outlet ext.th.
- SRL return cooling pipe outlet 1/2"ext.th.
- FTAS socket for thermal safety sensor int.th.
- TF1 socket 1/2" for sensor int.th.
- TF2 socket 1/2" for sensor int.th.

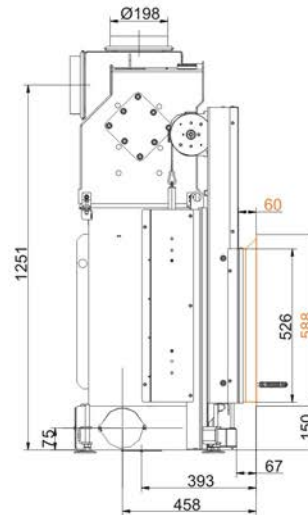
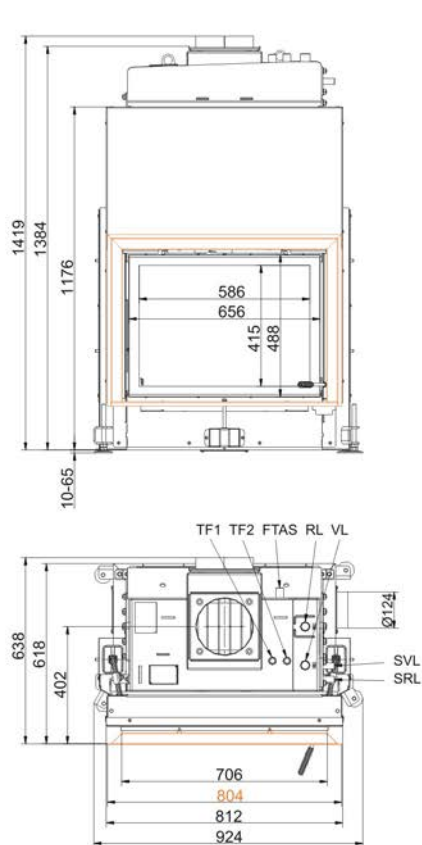
... lifting door with mounting frame 50 mm



- VL supply 1"ext. th.
- RL return boiler 1"ext.th.
- E drain 1/2"int. th.
- SVL supply cooling pipe outlet ext.th.
- SRL return cooling pipe outlet 1/2"ext.th.
- FTAS socket for thermal safety sensor int.th.
- TF1 socket 1/2" for sensor int.th.
- TF2 socket 1/2" for sensor int.th.

... lifting door with mounting frame 70 mm

Dimension sheets - Stil-Kamin 51/67 with top-mount boiler



VL	supply 1"ext. th.
RL	return boiler 1"ext.th.
E	drain 1/2"int. th.
SVL	supply cooling pipe outlet ext.th.
SRL	return cooling pipe outlet 1/2"ext.th.
FTAS	socket for thermal safety sensor int.th.
TF1	socket 1/2" for sensor int.th.
TF2	socket 1/2" for sensor int.th.

... lifting door with door frame

We suggest for CAD planning Palette CAD. Permanent updated drawings: www.brunner.de
Frames /flue gas outlet connection/ combustion air supply connection/ front variants are marked in color.

Planning and installation - Stil-Kamin 51/67

with top-mount boiler

Tested according to	EN 13229 W	EN 13229 W
Values measured at	Rated capacity	practical avg.
EEl	117.4	117.4

Data for functional demonstration

Rated heat power	kW	13.5	-
Fire wood volume	kg/h	3.9	5.1
Combustion performance	kW	15.6	20.5
Flue gas mass flow	g/s	10.9	25
Flue gas temperature after:			
boiler	°C	180	244
Necessary supply pressure	Pa	11	16
Combustion air consumption	m³/h	40	50
Combustion air connection Ø	mm	125	125

Heat distribution

Insert / reheating surface	%	15 - 20 / -	15 - 20 / -
Glass pane (single / double)	%	40 / 35	40 / 35
Boiler	%	45	45

Cross-section of gratings ¹⁾

Convection air	cm²	300 / 200 / -	300 / 200 / -
Supply air	cm²	300 / 200 / -	300 / 200 / -

Minimal distances of the fireplace

to insulation layer	cm	6	6
to mounting floor	cm	1	1

Thermal insulation without / with air gratings ²⁾

Mounting wall	cm	10 / 8	10 / 8
Floor	cm	0 / 0	0 / 0
Ceiling	cm	10 / 8	10 / 8
Brick lining for combustible wall	cm	10	10

Water boiler data

Max. operating pressure	bar	3	3
Max. flow temperature	°C	100	100
Water volume	liter	43	43
Connections flow / return	inches	1	1

Weight

Fireplace / combustion chamber ³⁾	kg	(123 + 118) / 79
--	----	------------------

Meets requirement/limit values for:

Germany/ Austria / Switzerland / Norway	1.BImSchV (Stufe 2) / 15a BVG (2015) / LRV / -
---	--

- 1) for fireplace inserts / flue gas pipe / metallic reheating surface
- 2) Values determined with upper air sections; stove cladding is heat emitting
- 3) Fireplace insert = body + top mounted exchanger