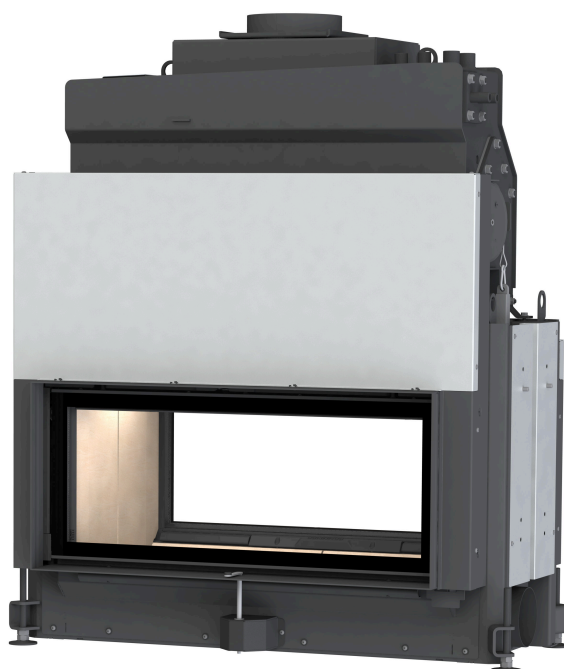


## BRUNNER WATER BOILERS



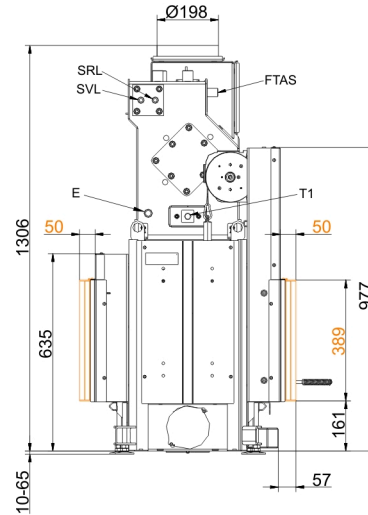
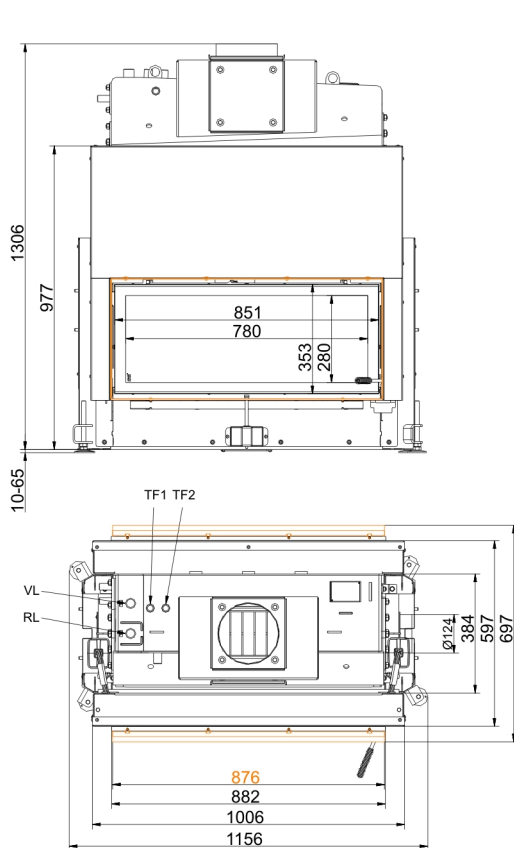
# Architektur Tunnel 38/86 with top-mount boiler lifting door

State: 2023-09-08



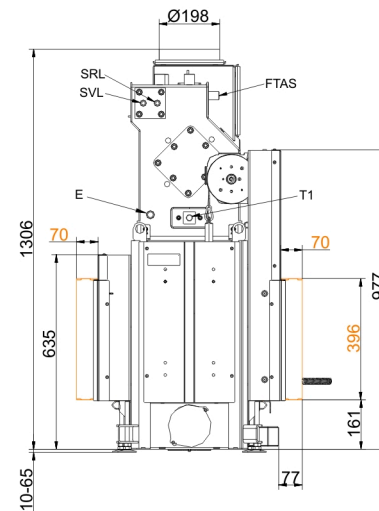
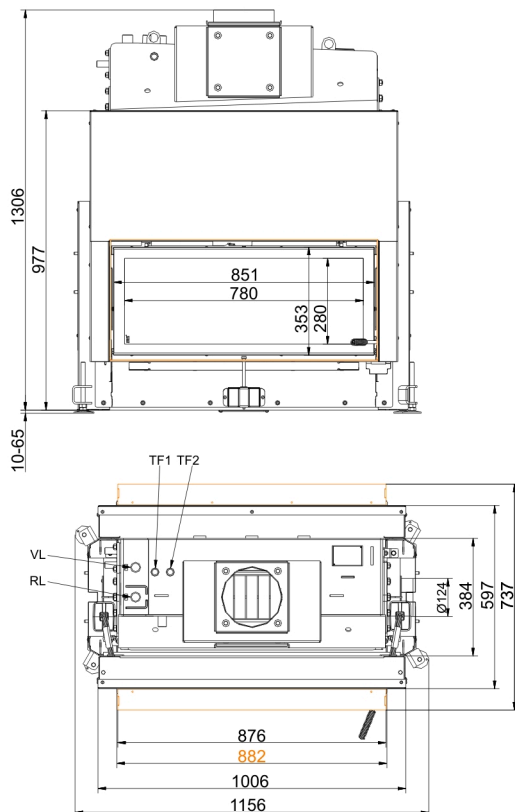
**BRUNNER**<sup>®</sup>  
*made in germany.*

# Dimension sheets - Architektur Tunnel 38/86 with top-mount boiler <sup>lifting</sup> door



- VL supply 1"ext. th.
- RL return boiler 1"ext.th.
- E drain 1/2"int. th.
- SVL supply cooling pipe outlet ext.th.
- SRL return cooling pipe outlet 1/2"ext.th.
- FTAS socket for thermal safety sensor int.th.
- TF1 socket 1/2" for sensor int.th.
- TF2 socket 1/2" for sensor int.th.

... /tilting door with mounting frame 50 mm

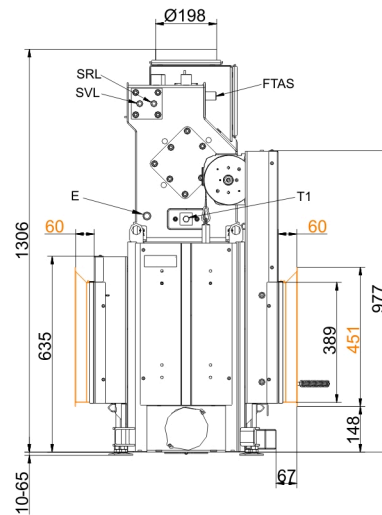
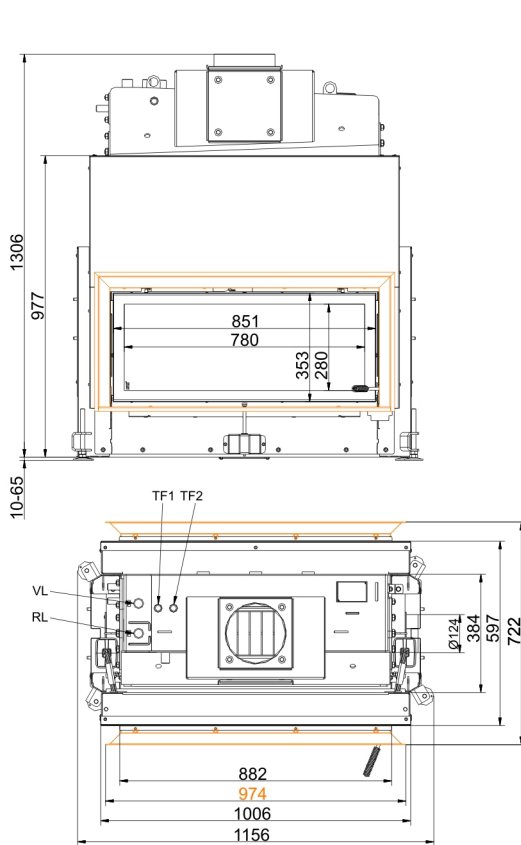


- VL supply 1"ext. th.
- RL return boiler 1"ext.th.
- E drain 1/2"int. th.
- SVL supply cooling pipe outlet ext.th.
- SRL return cooling pipe outlet 1/2"ext.th.
- FTAS socket for thermal safety sensor int.th.
- TF1 socket 1/2" for sensor int.th.
- TF2 socket 1/2" for sensor int.th.

... /tilting door with mounting frame 70 mm

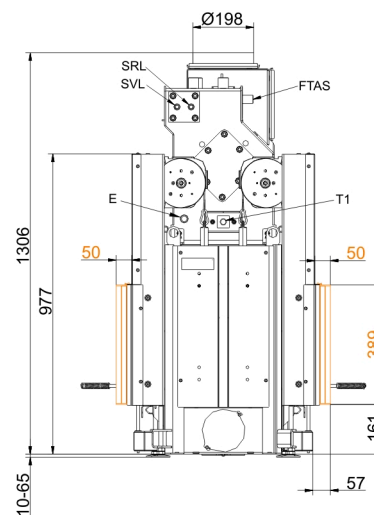
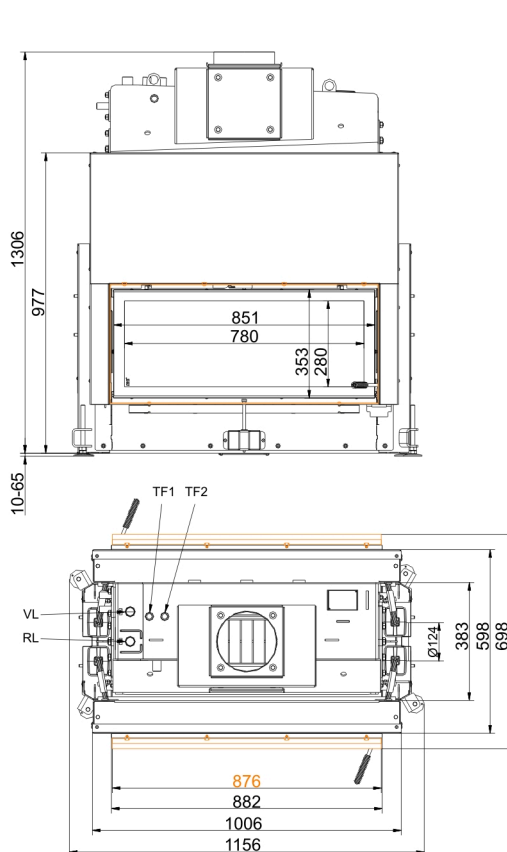
# Dimension sheets - Architektur Tunnel 38/86 with top-mount boiler lifting door

door



- VL supply 1"ext. th.
- RL return boiler 1"ext.th.
- E drain 1/2"int. th.
- SVL supply cooling pipe outlet ext.th.
- SRL return cooling pipe outlet 1/2"ext.th.
- FTAS socket for thermal safety sensor int.th.
- TF1 socket 1/2" for sensor int.th.
- TF2 socket 1/2" for sensor int.th.

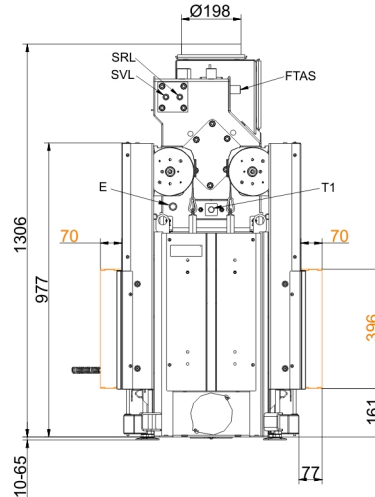
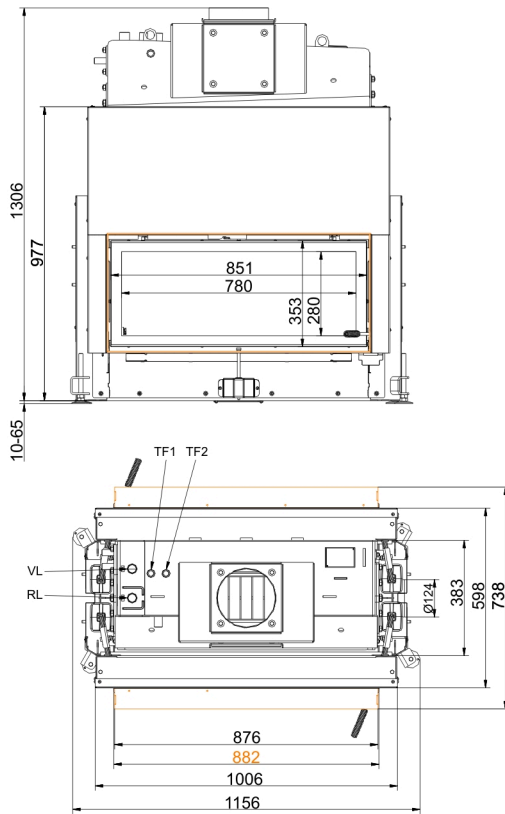
## ... /tilting door with door frame



- VL supply 1"ext. th.
- RL return boiler 1"ext.th.
- E drain 1/2"int. th.
- SVL supply cooling pipe outlet ext.th.
- SRL return cooling pipe outlet 1/2"ext.th.
- FTAS socket for thermal safety sensor int.th.
- TF1 socket 1/2" for sensor int.th.
- TF2 socket 1/2" for sensor int.th.

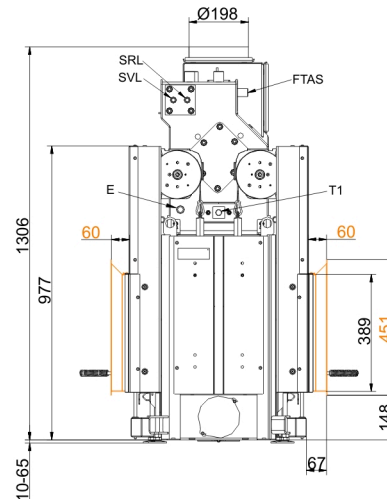
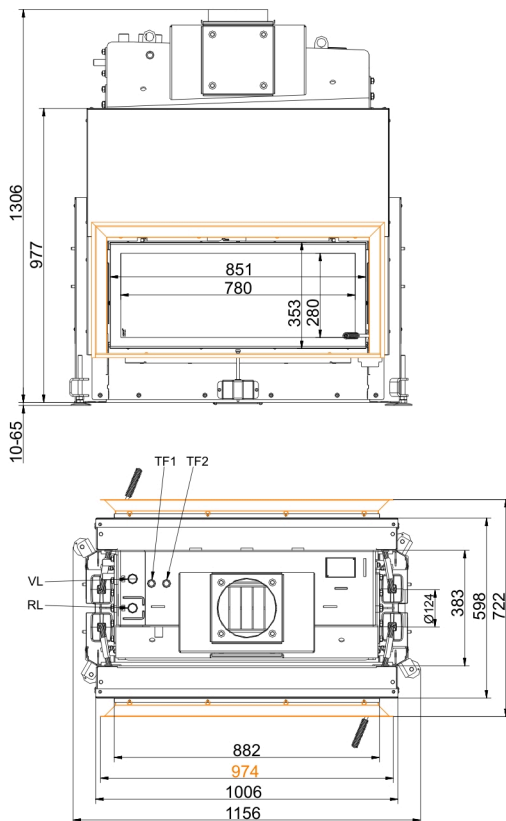
## ... with mounting frame 50 mm

# Dimension sheets - Architektur Tunnel 38/86 with top-mount boiler <sup>lifting</sup> door



- VL supply 1"ext. th.
- RL return boiler 1"ext.th.
- E drain 1/2"int. th.
- SVL supply cooling pipe outlet ext.th.
- SRL return cooling pipe outlet 1/2"ext.th.
- FTAS socket for thermal safety sensor int.th.
- TF1 socket 1/2" for sensor int.th.
- TF2 socket 1/2" for sensor int.th.

... with mounting frame 70 mm



- VL supply 1"ext. th.
- RL return boiler 1"ext.th.
- E drain 1/2"int. th.
- SVL supply cooling pipe outlet ext.th.
- SRL return cooling pipe outlet 1/2"ext.th.
- FTAS socket for thermal safety sensor int.th.
- TF1 socket 1/2" for sensor int.th.
- TF2 socket 1/2" for sensor int.th.

... with door frame

We suggest for CAD planning Palette CAD. Permanent updated drawings: [www.brunner.de](http://www.brunner.de)  
 Frames/ flue gas outlet connection/ combustion air supply connection/ front variants/ support bearing are marked in color.

# Planning and installation - Architektur Tunnel 38/86 with top-mount

## boiler lifting door

Tested according to	EN 13229 W	EN 13229 W
Values measured at	Rated power	Practical avg.

### Data for functional demonstration

Rated heat power	kW	14	-
Fire wood volume	kg/h	4	5.1
Combustion performance	kW	15.8	20.4
Flue gas mass flow	g/s	11.9	20.1
Flue gas temperature after:			
boiler	°C	142	149
Necessary supply pressure	Pa	12	12
Combustion air consumption	m <sup>3</sup> /h	40	50
Combustion air connection Ø	mm	125	125

### Heat distribution

Insert / reheating surface	%	10 - 15 / -	10 - 15 / -
Glass pane (single / double)	%	40 / 35	40 / 35
Boiler	%	50	50
Boiler part without insulation, double glass	%	50	50

### Cross-section of gratings <sup>1)</sup>

Convection air	cm <sup>2</sup>	300 / 200 / -	300 / 200 / -
Supply air	cm <sup>2</sup>	300 / 200 / -	300 / 200 / -

### Minimal distances of the fireplace

to cladding, insulation layer	cm	6	6
to mounting floor	cm	1	1

### Thermal insulation without / with air gratings <sup>2)</sup>

Mounting wall	cm	10 / 8	10 / 8
Floor	cm	0 / 0	0 / 0
Ceiling	cm	10 / 8	10 / 8
Brick lining for combustible wall	cm	10	10

### Water boiler data

Max. operating pressure	bar	3	3
Max. flow temperature	°C	100	100
Water volume	liter	43	43
Connections flow / return	inches	1	1

### Weight

Fireplace / combustion chamber <sup>3)</sup>	kg	(200 + 142) / 50
--	----	------------------

### Meets requirement/limit values for:

Germany/ Austria / Switzerland / Norway	1.BImSchV (Stufe 2) / 15a BVG (2015) / LRV / -
---	--

- 1) for fireplace inserts / flue gas pipe / metallic reheating surface
- 2) Values determined with upper air cross- sections; stove cladding is heat emitting
- 3) Fireplace insert = body + top mounted exchanger