

BRUNNER WATER BOILERS



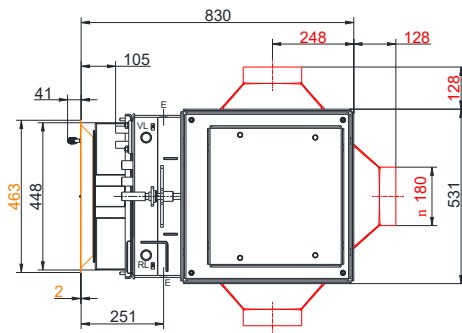
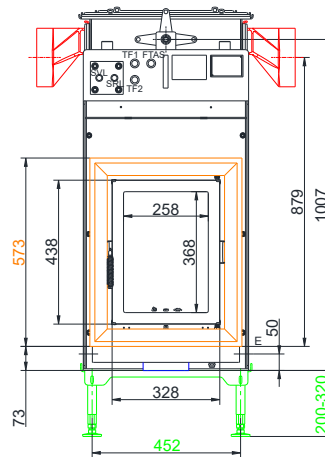
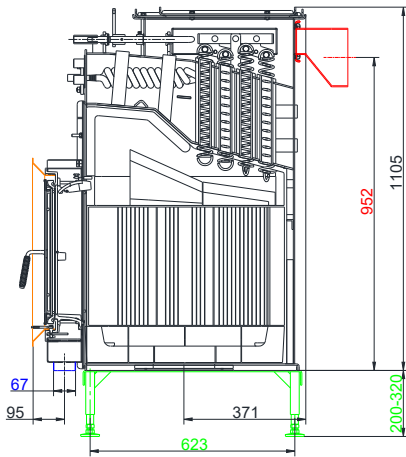
Kompakt-Kessel B4

State: 2023-09-11



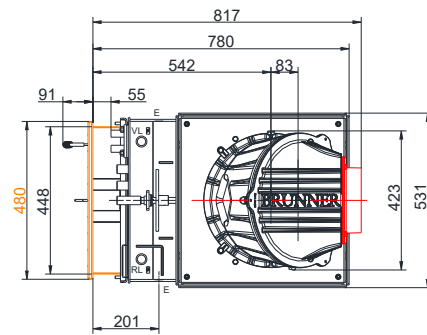
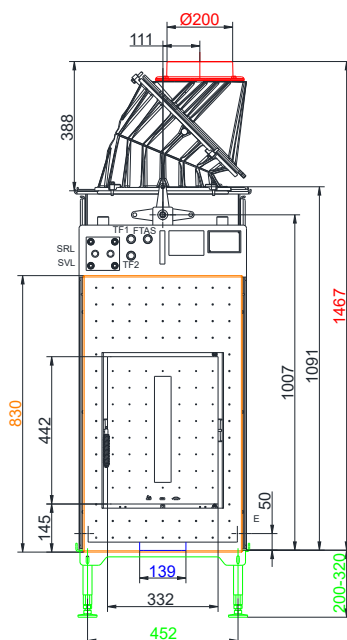
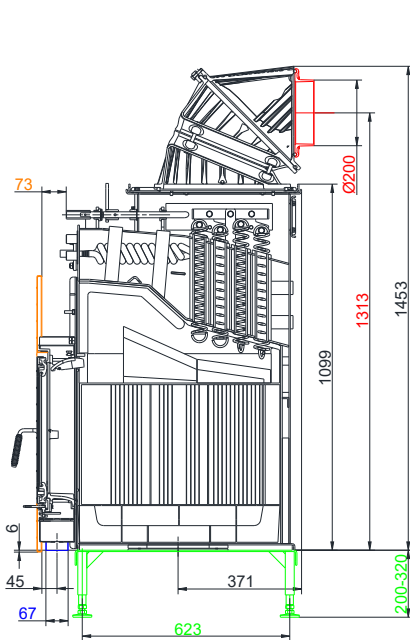
BRUNNER[®]
made in germany.

Dimension sheets - Kompakt-Kessel B4



- VL supply 1"ext. th.
- RL return boiler 1"ext.th.
- E drain 1/2"int. th.
- SVL supply cooling pipe outlet ext.th.
- SRL return cooling pipe outlet 1/2"ext.th.
- FTAS socket for thermal safety sensor int.th.
- TF1 socket 1/2" for sensor int.th.
- TF2 socket 1/2" for sensor int.th.

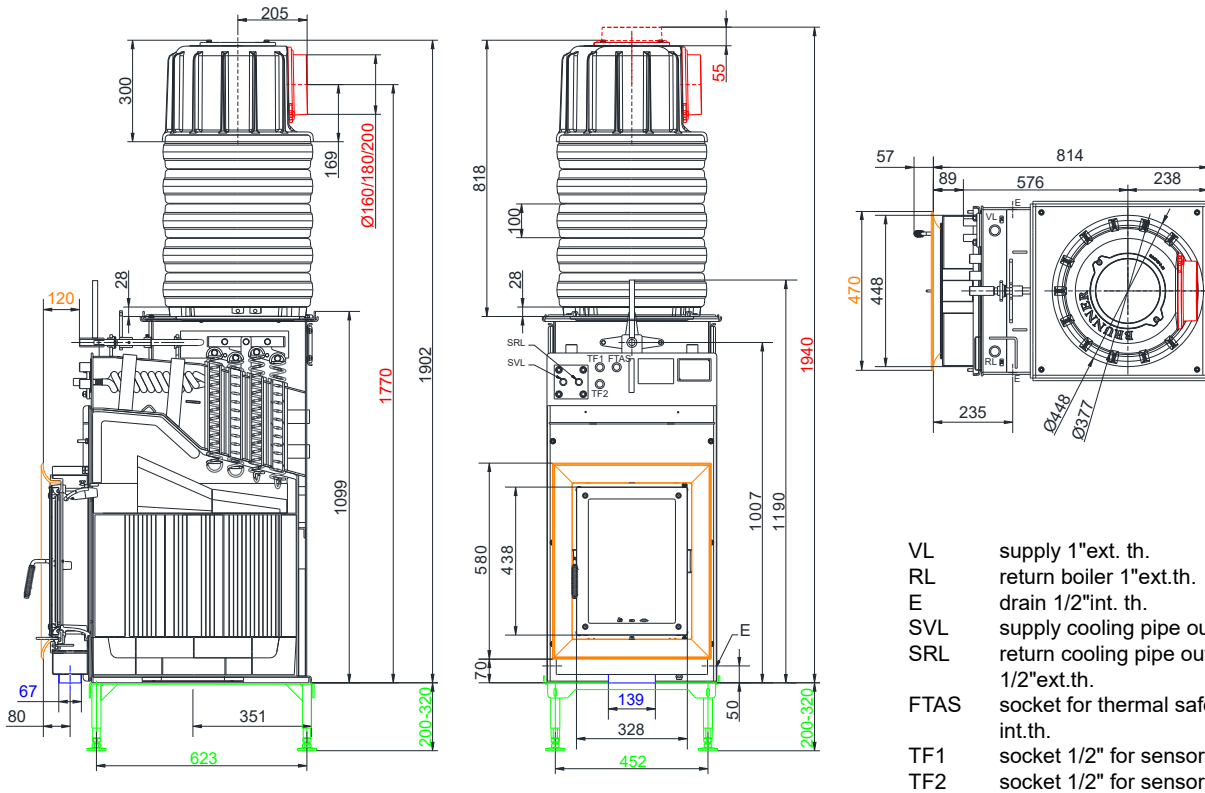
... with steel door frame and smoke pipe adapter, side outlet



- VL supply 1"ext. th.
- RL return boiler 1"ext.th.
- E drain 1/2"int. th.
- SVL supply cooling pipe outlet ext.th.
- SRL return cooling pipe outlet 1/2"ext.th.
- FTAS socket for thermal safety sensor int.th.
- TF1 socket 1/2" for sensor int.th.
- TF2 socket 1/2" for sensor int.th.

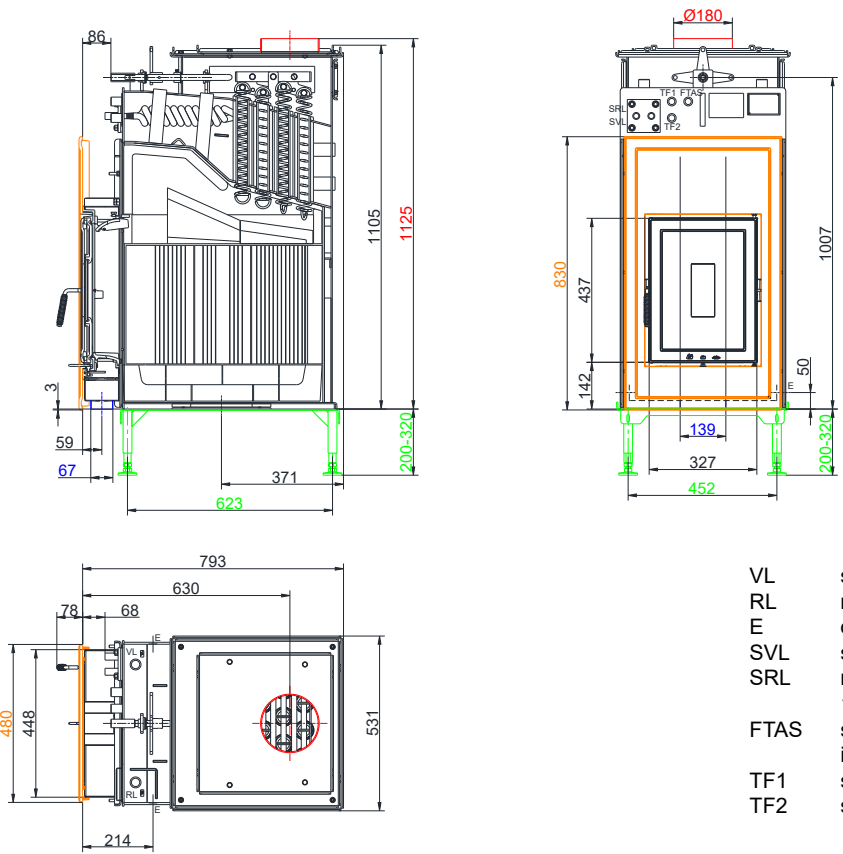
... with steel front plate and cast iron hot air hood

Dimension sheets - Kompakt-Kessel B4



- VL supply 1" ext. th.
- RL return boiler 1" ext. th.
- E drain 1/2" int. th.
- SVL supply cooling pipe outlet ext. th.
- SRL return cooling pipe outlet 1/2" ext. th.
- FTAS socket for thermal safety sensor int. th.
- TF1 socket 1/2" for sensor int. th.
- TF2 socket 1/2" for sensor int. th.

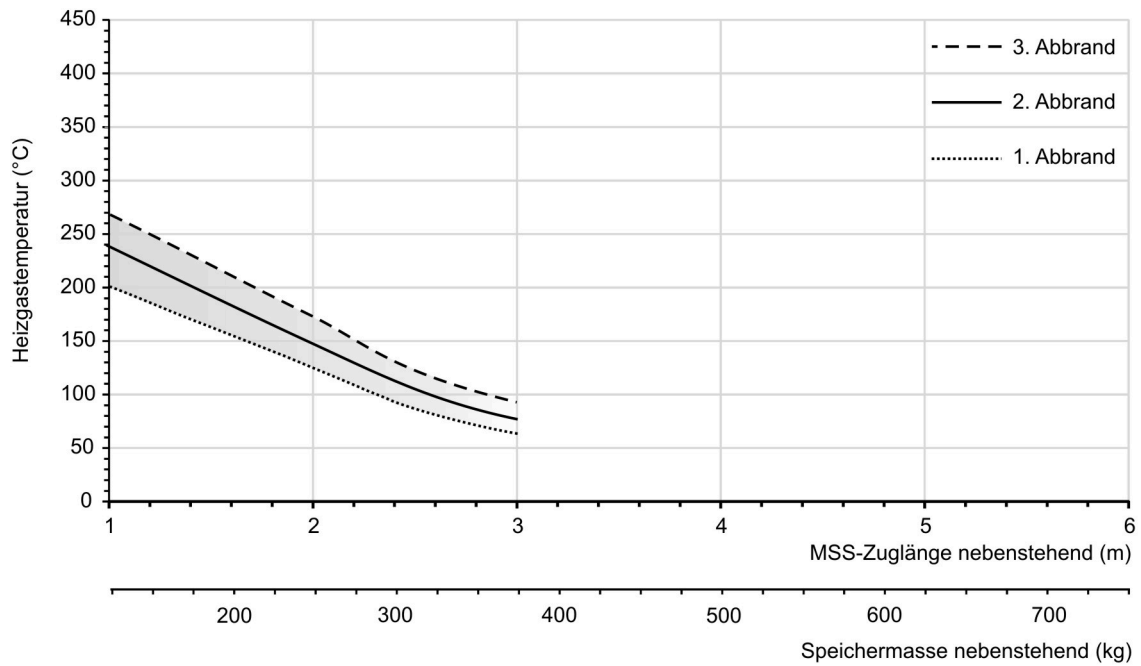
... with cast iron frame and MAS



- VL supply 1" ext. th.
- RL return boiler 1" ext. th.
- E drain 1/2" int. th.
- SVL supply cooling pipe outlet ext. th.
- SRL return cooling pipe outlet 1/2" ext. th.
- FTAS socket for thermal safety sensor int. th.
- TF1 socket 1/2" for sensor int. th.
- TF2 socket 1/2" for sensor int. th.

... with cast iron front plate and smoke pipe adapter, vertical outlet

Dimension sheets - Kompakt-Kessel B4



We suggest for CAD planning Palette CAD. Permanent updated drawings: www.brunner.de

Frames/ flue gas outlet connection/ combustion air supply connection/ front variants/ support bearing are marked in color.

Planning and installation - Kompakt-Kessel B4

Tested according to		EN 13229 W	EN 13229 W
Values measured at		Rated power	Practical avg.
Data for functional demonstration			
Rated heat power	kW	14.5	-
Room heating power	kW	6.5	-
Water heating power	kW	8	-
Fire wood volume	kg/h	3.8	8
Combustion performance	kW	16.5	32
Flue gas mass flow	g/s	14.5	28
Outlet temperature (before reheating surface)	°C	210	280
Flue gas temperature after:			
cast iron hot air hood	°C	130	210
5 x accumulation rings incl. MAS casted cover ¹⁾	°C	125	200
2,5 m ceramic accumulator ²⁾	°C	-	180
1,7 m accumulation stones (MSS) ²⁾	°C	-	180
Necessary supply pressure	Pa	12	15
Combustion air consumption	m ³ /h	35	80
Combustion air connection Ø	mm	125	125
Heating gas temperature (before the hood/dome variant)			
insert flue outlet nozzle	°C	210	280
Heat distribution			
Insert / reheating surface	%	10 / 25	10 / 25
Glass pane (single / double)	%	- / 10	- / 10
Boiler	%	55	55
Boiler part without insulation, double glass	%	55	55
Cross-section of gratings ³⁾			
Convection air	cm ²	200 / 200 / 400	200 / 200 / 400
Supply air	cm ²	200 / 200 / 400	200 / 200 / 400
Minimal distances of the fireplace			
to cladding, insulation layer	cm	6	6
to mounting floor	cm	15	15
Thermal insulation without / with air gratings ⁴⁾			
Mounting wall	cm	12 / 8	12 / 8
Floor	cm	0 / 0	0 / 0
Ceiling	cm	25 / 18	25 / 18
Brick lining for combustible wall	cm	10	10
Water boiler data			
Max. operating pressure	bar	3	3
Max. flow temperature	°C	100	100
Water volume	liter	71	71
Connections flow / return	inches	1	1
Weight			
Fireplace / combustion chamber	kg	243 / 98	
Meets requirement/limit values for:			
Germany/ Austria / Switzerland / Norway	1.BImSchV (Stufe 2) / 15a BvG (2015) / - / -		

1) Damper flap recommended

2) Approximate value. Determination according to design characteristics for adjacent storage mass or proof of function provided by calculation

3) for fireplace inserts / flue gas pipe / metallic reheating surface

4) Values determined with upper air cross- sections; stove cladding is heat emitting