

BRUNNER WATER BOILERS



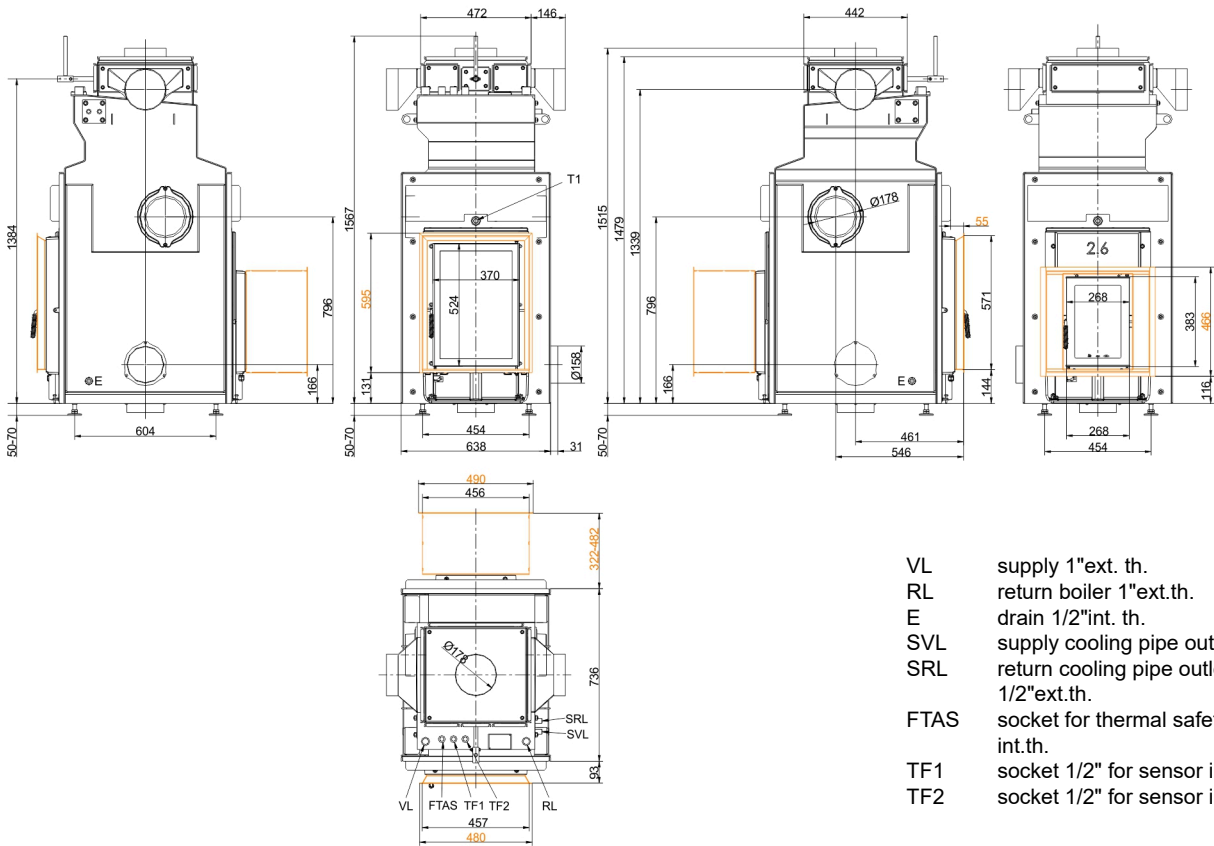
HKD 2.2 XL-SK/h

State: 2023-09-11

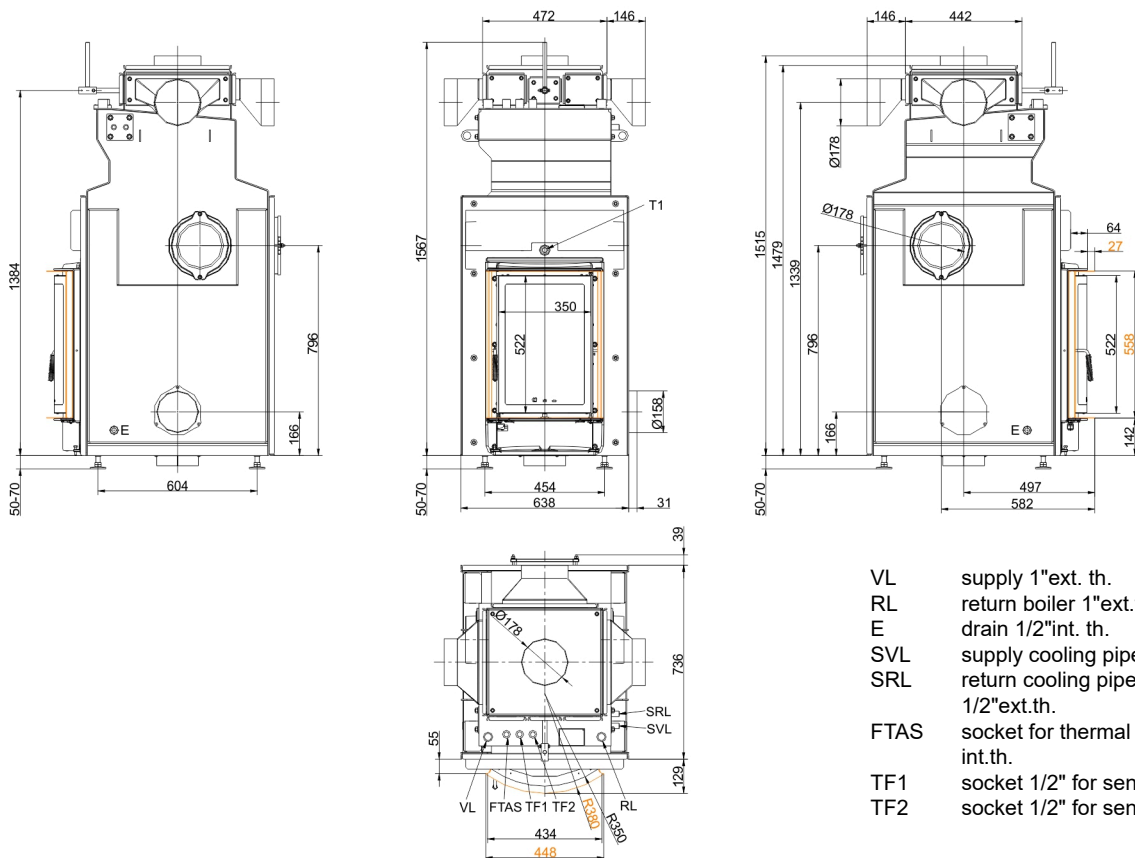


BRUNNER[®]
made in germany.

Dimension sheets - HKD 2.2 XL-SK/h

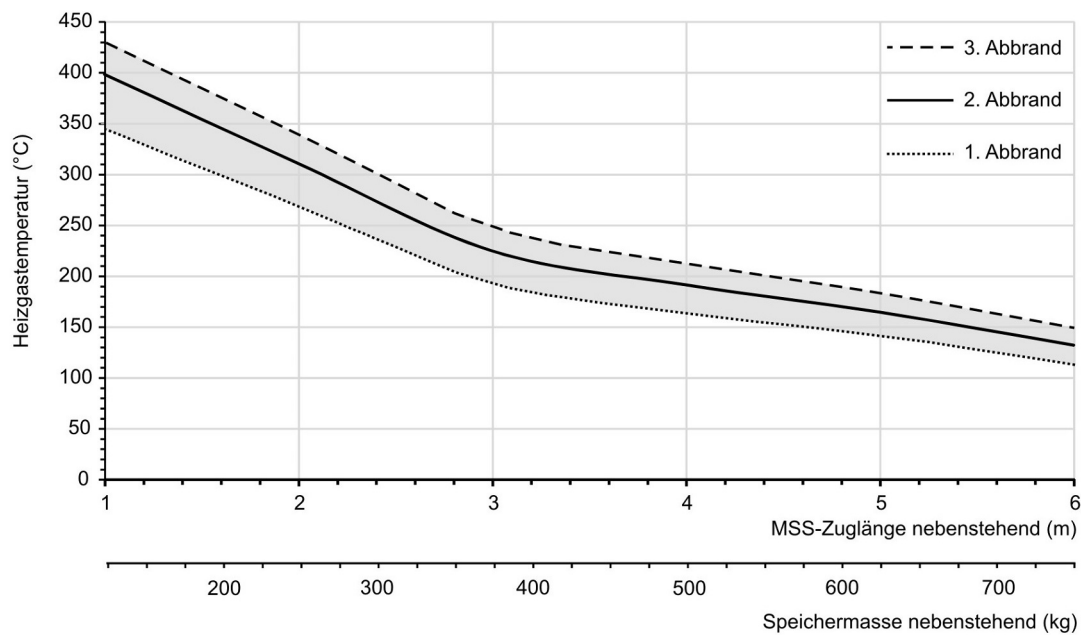


... flat with additional fire door



... round with door frame

Dimension sheets - HKD 2.2 XL-SK/h



Design characteristics for adjacent storage mass

We suggest for CAD planning Palette CAD. Permanent updated drawings: www.brunner.de

Frames/ flue gas outlet connection/ combustion air supply connection/ front variants/ support bearing are marked in color.

Planning and installation - HKD 2.2 XL-SK/h

Tested according to		EN 13229 W	EN 13229 W
Values measured at		-	Practical avg.
Suitable for all construction types according to rules		OK	-
Data for functional demonstration			
Rated heat power	kW	13	-
Fire wood volume	kg/h	3.6	6
Combustion performance	kW	15	25
Flue gas mass flow	g/s	13.5	21
Outlet temperature (before reheating surface)	°C	335	410
Flue gas temperature after:			
1 x adjoining cast iron radiator (GNF 8/10)	°C	135	200
4,9 m ceramic accumulator ¹⁾	°C	-	180
3,4 m accumulation stones (MSS) ¹⁾	°C	-	210
boiler	°C	135	210
Necessary supply pressure	Pa	15	15
Combustion air consumption	m ³ /h	34	55
Combustion air connection Ø	mm	160	160
Heating gas temperature (before the hood/dome variant)			
insert flue outlet nozzle	°C	335	410
Heat distribution			
Insert / reheating surface	%	5 / 5 - 50	5 / 5 - 50
Glass pane (single / double)	%	25 / 20	25 / 20
Boiler	%	25 - 70	25 - 70
Cross-section of gratings ²⁾			
Convection air	cm ²	500 / 200 / 300	500 / 200 / 300
Supply air	cm ²	500 / 200 / 300	500 / 200 / 300
Minimal distances of the fireplace			
to cladding, insulation layer	cm	6	6
to mounting floor	cm	6	6
Thermal insulation without / with air gratings ³⁾			
Mounting wall	cm	8 / 6	8 / 6
Floor	cm	0 / 0	0 / 0
Ceiling	cm	10 / 8	10 / 8
Brick lining for combustible wall	cm	10	10
Water boiler data			
Max. operating pressure	bar	3	3
Max. flow temperature	°C	100	100
Water volume	liter	91	91
Connections flow / return	inches	1	1
Weight			
Fireplace / combustion chamber	kg	378 / 93	
Meets requirement/limit values for:			
Germany/ Austria / Switzerland / Norway	1.BImSchV (Stufe 2) / 15a BvG (2015) / LRV / -		

- 1) Approximate value. Determination according to design characteristics for adjacent storage mass or proof of function provided by calculation
2) for fireplace inserts / flue gas pipe / metallic reheating surface
3) Values determined with upper air cross- sections; stove cladding is heat emitting