

BRUNNER WATER BOILERS



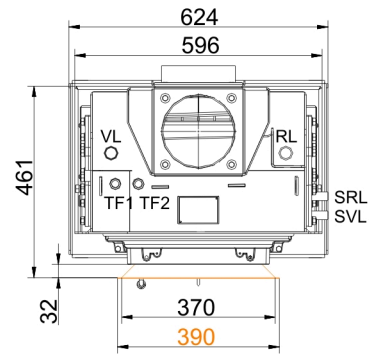
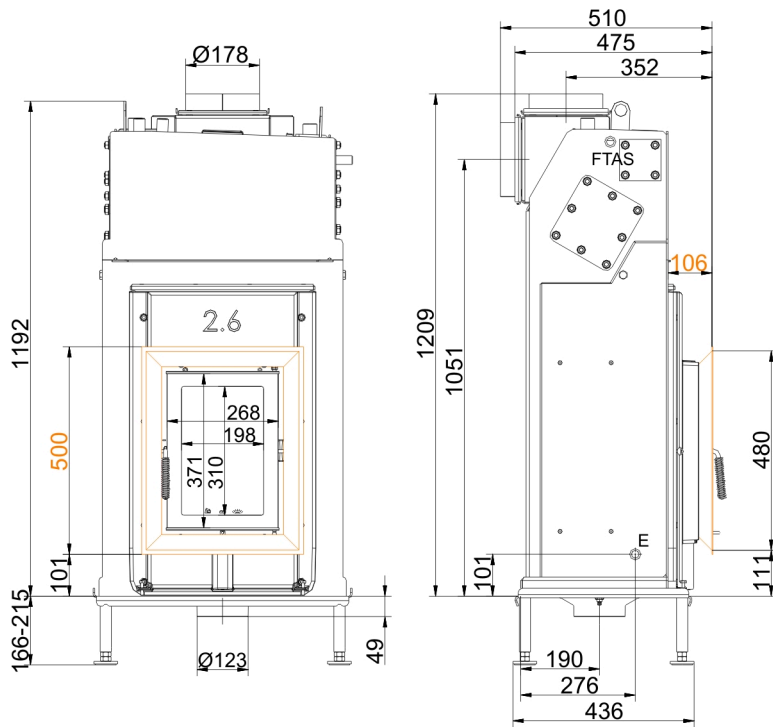
HKD 2.6k-SK

State: 2023-09-11



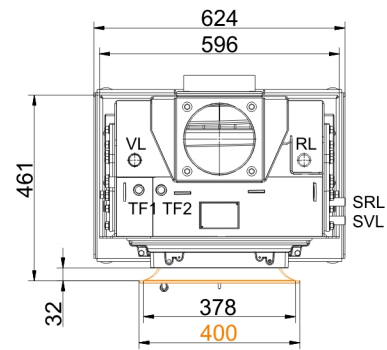
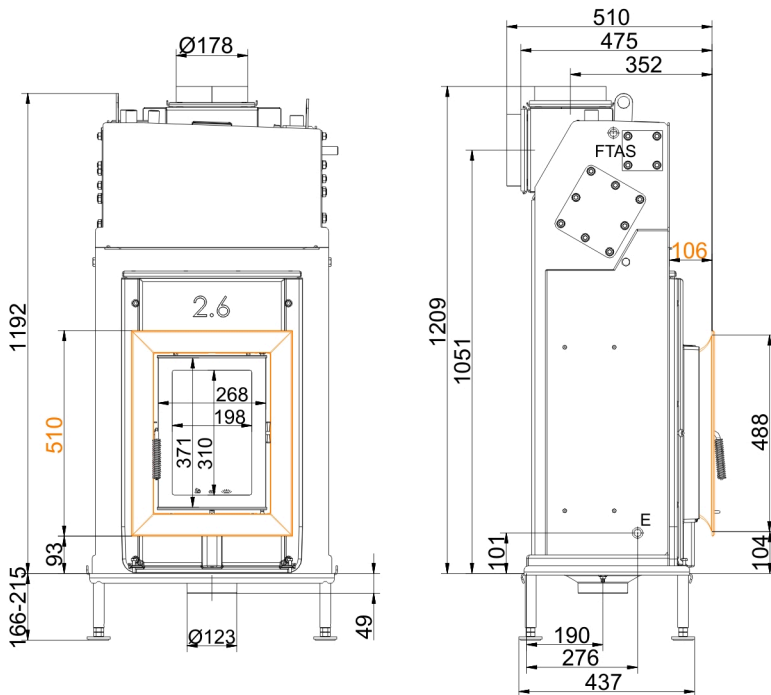
BRUNNER[®]
made in germany.

Dimension sheets - HKD 2.6k-SK



- VL supply 1"ext. th.
- RL return boiler 1"ext.th.
- E drain 1/2"int. th.
- SVL supply cooling pipe outlet ext.th.
- SRL return cooling pipe outlet 1/2"ext.th.
- FTAS socket for thermal safety sensor int.th.
- TF1 socket 1/2" for sensor int.th.
- TF2 socket 1/2" for sensor int.th.

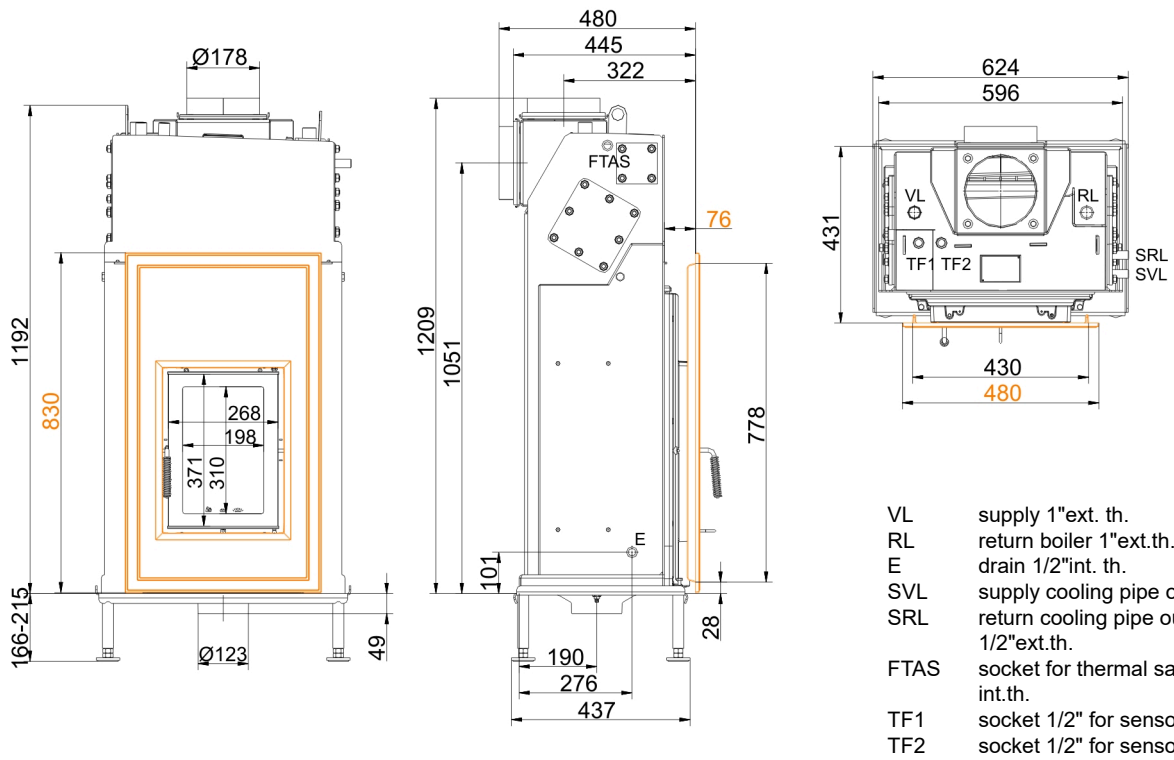
... with door frame



- VL supply 1"ext. th.
- RL return boiler 1"ext.th.
- E drain 1/2"int. th.
- SVL supply cooling pipe outlet ext.th.
- SRL return cooling pipe outlet 1/2"ext.th.
- FTAS socket for thermal safety sensor int.th.
- TF1 socket 1/2" for sensor int.th.
- TF2 socket 1/2" for sensor int.th.

... with cast iron frame

Dimension sheets - HKD 2.6k-SK



- VL supply 1"ext. th.
- RL return boiler 1"ext.th.
- E drain 1/2"int. th.
- SVL supply cooling pipe outlet ext.th.
- SRL return cooling pipe outlet 1/2"ext.th.
- FTAS socket for thermal safety sensor int.th.
- TF1 socket 1/2" for sensor int.th.
- TF2 socket 1/2" for sensor int.th.

... with cast iron front plate

We suggest for CAD planning Palette CAD. Permanent updated drawings: www.brunner.de
 Frames/ flue gas outlet connection/ combustion air supply connection/ front variants/ support bearing are marked in color.

Planning and installation - HKD 2.6k-SK

Tested according to		EN 13229 W	EN 13229 W
Values measured at		Rated power	Practical avg.
Data for functional demonstration			
Rated heat power	kW	8	-
Fire wood volume	kg/h	2.5	4
Combustion performance	kW	10	17
Flue gas mass flow	g/s	9	15
Flue gas temperature after:			
boiler	°C	210	255
Necessary supply pressure	Pa	12	12
Combustion air consumption	m ³ /h	25	40
Combustion air connection Ø	mm	125	125
Heat distribution			
Insert / reheating surface	%	15 / -	15 / -
Glass pane (single / double)	%	20 / 15	20 / 15
Boiler	%	65 / 70	65 / 70
Boiler part without insulation, double glass	%	70	70
Kesselteil ohne Dämmung, Einfachglas	%	65	65
Cross-section of gratings			
Convection air	cm ²	400	400
Supply air	cm ²	400	400
Minimal distances of the fireplace			
zur Heizkammerwand	cm	6	6
to mounting floor	cm	15	15
Thermal insulation without / with air gratings ¹⁾			
Mounting wall	cm	0	0
Floor	cm	0	0
Ceiling	cm	4	4
Brick lining for combustible wall	cm	10	10
Water boiler data			
Max. operating pressure	bar	3	3
Max. flow temperature	°C	100	100
Water volume	liter	36	36
Connections flow / return	inches	1	1
Weight			
Fireplace / combustion chamber	kg	276 / 52	
Meets requirement/limit values for:			
Germany/ Austria / Switzerland / Norway	1.BImSchV (Stufe 2) / 15a BVG (2015) / LRV / -		

1) Values determined with upper air cross- sections; stove cladding is heat emitting