

## BRUNNER WATER BOILERS



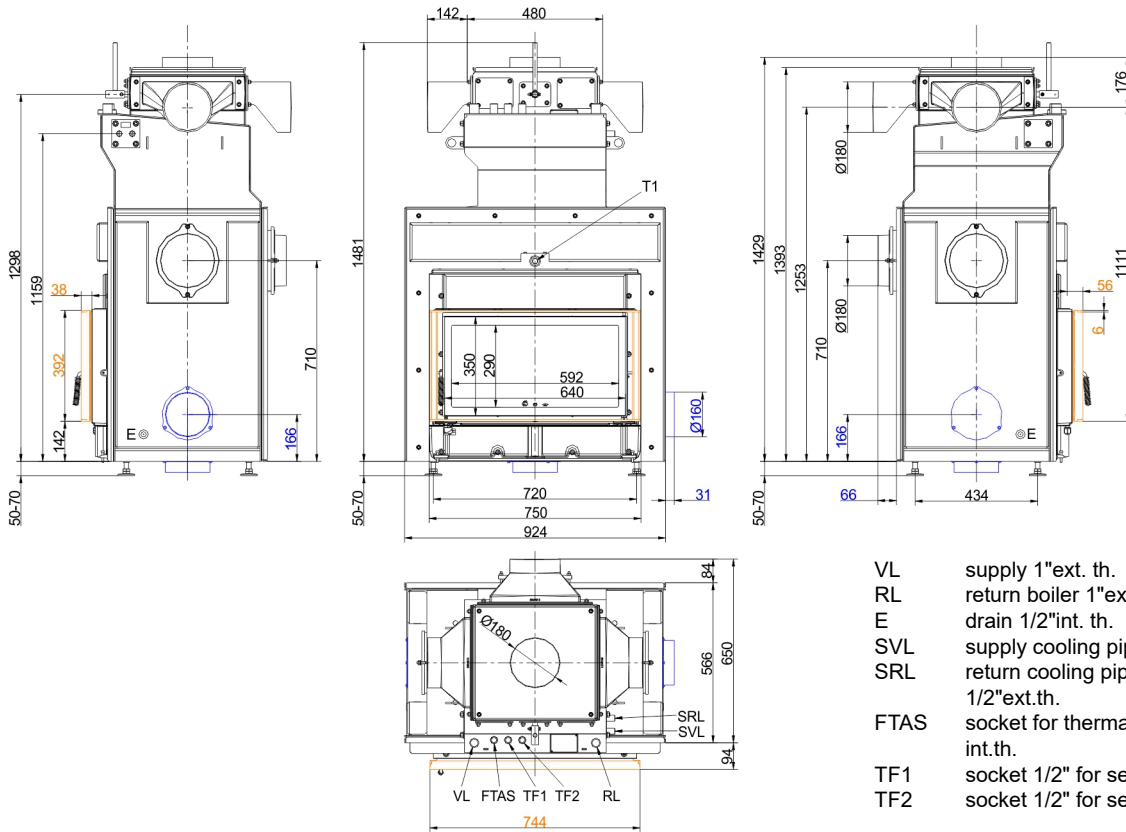
### HKD 7 SK

State: 2023-09-11

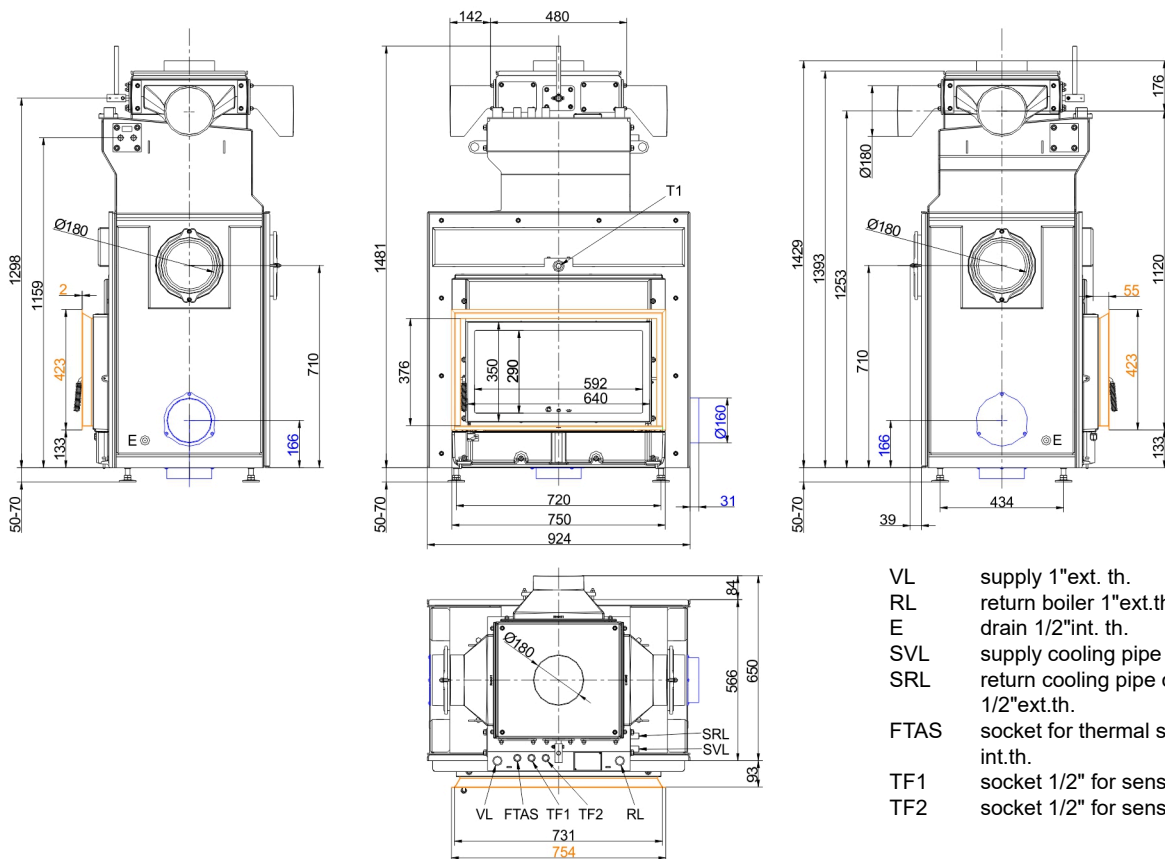


**BRUNNER**<sup>®</sup>  
*made in germany.*

# Dimension sheets - HKD 7 SK

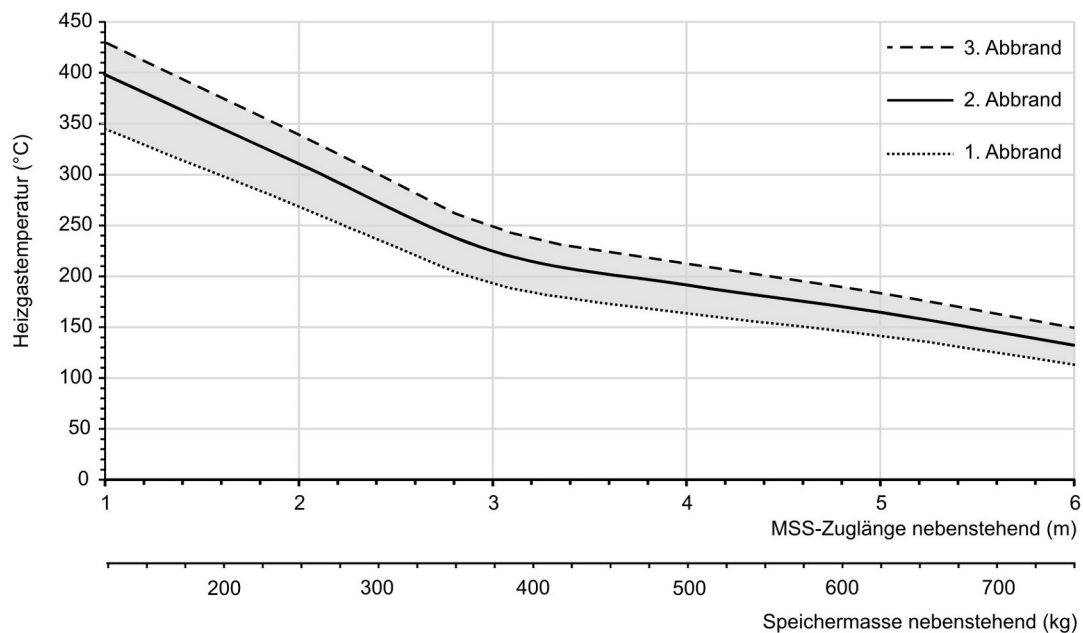


... with mounting frame



... with door frame

## Dimension sheets - HKD 7 SK



### Design characteristics for adjacent storage mass

We suggest for CAD planning Palette CAD. Permanent updated drawings: [www.brunner.de](http://www.brunner.de)

Frames/ flue gas outlet connection/ combustion air supply connection/ front variants/ support bearing are marked in color.

# Planning and installation - HKD 7 SK

Tested according to		EN 13229 W	EN 13229 W
Values measured at		Rated power	Practical avg.
Suitable for all construction types according to rules		OK	-
<b>Data for functional demonstration</b>			
Rated heat power	kW	12	-
Room heating power	kW	4.5	-
Water heating power	kW	7.5	-
Fire wood volume	kg/h	3.6	7
Combustion performance	kW	14	28
Flue gas mass flow	g/s	11	23
Outlet temperature (before reheating surface)	°C	370	630
Flue gas temperature after:			
1 x adjoining cast iron radiator (GNF 8/10)	°C	180	220
4,9 m ceramic accumulator <sup>1)</sup>	°C	-	180
3,4 m accumulation stones (MSS) <sup>1)</sup>	°C	-	210
boiler	°C	175	220
Necessary supply pressure	Pa	12	15
Combustion air consumption	m <sup>3</sup> /h	35	60
Combustion air connection Ø	mm	160	160
<b>Heating gas temperature (before the hood/dome variant)</b>			
insert flue outlet nozzle	°C	335	410
<b>Heat distribution</b>			
Insert / reheating surface	%	10 / 10 - 30	10 / 10 - 30
Glass pane (single / double)	%	25 / 20	25 / 20
Boiler	%	40 - 60	40 - 60
<b>Cross-section of gratings <sup>2)</sup></b>			
Convection air	cm <sup>2</sup>	500 / - / 500	500 / - / 500
Supply air	cm <sup>2</sup>	500 / - / 500	500 / - / 500
<b>Minimal distances of the fireplace</b>			
to cladding, insulation layer	cm	6	6
to mounting floor	cm	4	4
<b>Thermal insulation without / with air gratings <sup>3)</sup></b>			
Mounting wall	cm	10 / 8	10 / 8
Floor	cm	0 / 0	0 / 0
Ceiling	cm	13 / 10	13 / 10
Brick lining for combustible wall	cm	10	10
<b>Water boiler data</b>			
Max. operating pressure	bar	3	3
Max. flow temperature	°C	100	100
Water volume	liter	80	80
Connections flow / return	inches	1	1
<b>Weight</b>			
Fireplace / combustion chamber	kg	382 / 85	
<b>Meets requirement/limit values for:</b>			
Germany/ Austria / Switzerland / Norway	1.BImSchV (Stufe 2) / 15a BVG (2015) / LRV / -		

1) Approximate value. Determination according to design characteristics for adjacent storage mass or proof of function provided by calculation

2) for fireplace inserts / flue gas pipe / metallic reheating surface

3) Values determined with upper air cross- sections; stove cladding is heat emitting