

User Guide

HKD 7 SK
HKD 7 SK Tunnel

©2019

BRUNNER[®]
made in germany.

CONTENTS

1	Notes on ceramic glass.....	4
2	Safety precautions.....	5
3	Initial operation.....	7
4	Firewood and heating power.....	8
5	Basic rules for operation.....	12
6	Components.....	16
7	Door opening.....	17
8	Cleaning.....	18
9	Note.....	19

Please read the entire User Guide before lighting the fire for the first time. In particular, please note the safety precautions in this manual.

Installation must be carried out by an authorized stove-fitter, because safety and efficiency of the system depend mostly on proper installation of the product. All valid stove fitting rules and regulations of building law must be observed and followed.

This fireplace is subject to the provisions of 1. BImSchV.

Necessary national and European standards and local regulations must be observed.

Please follow the relevant regulations of your country. In case of doubt, check the valid conditions for the operation of fireplaces in your local area.

Subject to technical changes!

Please keep the User Guide for future reference!

Waste on fire = Toxins in your garden

1 NOTES ON CERAMIC GLASS

BRUNNER uses only ceramic glass supplied by SCHOTT.

SCHOTT is an international technology company with over 125 years of experience in the field of specialty glass, special materials and advanced technologies.

With over 60 million of sold ROBAX® ceramic glass panes, SCHOTT is a leading manufacturer of transparent heat resistant materials. SCHOTT ROBAX® is a synonym for innovative quality, and the best guarantee of a warm and safe fireplace experience.

ROBAX® glass panes guarantee a genuine fire experience. They make it possible to keep a close optical and physical contact with fire, but provide a perfect protection against sparks.

In a special manufacturing process, the glass panes become cerammed and acquire their unique features.

During this process, it is technically not possible to exclude all optical impairments (fine scratches, solid inclusions, tiny air bubbles). They must be accepted as results of current technology status, and cannot be considered as reasons for complaint.

To exclude unsuitable products, ROBAX® ceramic glass is checked twice against the currently valid Technical Supply Specification. This includes especially dimensional accuracy and curvature tolerances, and a visual inspection as well.

The optical properties of material are checked under the following criteria:

- visual inspection in normal mounting position, without optical aids
- illumination at approx. 800 Lux – viewing distance of at least 1 m
- background matches the colour of fireclay bricks
- max. 3 air inclusions or solid inclusions < 4mm are accepted, however, air inclusions protruding to the glass surface with opening larger than 1mm are not allowed
- décor defects smaller than 1mm are allowed as manufacturing tolerances.

Please consider the above information as binding reference

Ulrich Brunner GmbH
January 2013

2 SAFETY PRECAUTIONS



Heat radiation range

Flammable objects of any kind must be kept outside the heat radiation range of 80 cm in front of the glass door! Fire hazard! Do not leave any flammable objects in front of the fireplace door. Inside the heat radiation range no objects with flammable parts are allowed.



Initial operation

The paint coat of the stove is not completely hardened before reaching normal operating temperature for the first time. Smoke emissions and unpleasant odours cannot be excluded. Therefore, provide sufficient ventilation of the room when lighting the fire. Open all doors and windows, use an electric fan if necessary, to ensure faster air exchange within the room. During first operation try to avoid staying in this room for too long, if possible.



Fireplace door

The fireplace door should be opened only for loading firewood or cleaning. When the fireplace door is opened, other fireplaces connected to the same chimney might be affected. Under certain circumstances this can lead to risk of flue gas poisoning. The fireplace door must stay closed even if the fire is not burning.



Risk of burns

External surfaces of the fireplace, in particular the glass door, may get very hot. Do not touch - risk of burns! Remember to warn your children about this. Basically, children should stay away from a burning stove. Objects made of flammable materials may not be placed on available surfaces of the fireplace. Flammable textile fabrics must have a minimum distance of **5 cm** from the vertical surfaces of the fireplace.

Remember to remove only cold ashes from the fireplace. For your own security, store the ashes in a fire-resistant container for at least 24 hours before you dispose of them - Fire hazard! In case of fire call the fire brigade immediately! In the case of chimney fire move all flammable parts and elements away from the chimney. Watch out for flying sparks. Never use substances as petrol or alcohol to light a fire!



Air gratings

Do not close or cover up the warm air vents of your fireplace. Risk of fire or overheating!



Fireplaces with electronic control systems

After closing the fireplace door a message must be displayed, informing that the combustion has been started (see User Guide of the control system)! If this is not the case, the door contact switches are defective! **Risk of deflagration!** Consult your stove fitter and follow the instructions in chapter "Manual adjusting of combustion air in the case of emergency" of the User Guide for the control system.

3 INITIAL OPERATION

When using a tiled stove with water boiler please pay attention to the following requirements:

Before lighting fire, check if:

1. The flue gas system and water piping are properly designed and dimensioned.
2. The heating circuit is filled with water and the remaining air is evacuated.
3. The cold water supply pressure for the existing thermal discharge safety device is at least 2 bar (29 psi).
4. Thermal discharge safety device and safety valve are in working order.



The stove cannot be used, as long the requirements 1 - 4 are not met!

The stove cannot be used under any circumstances, when the water boiler is not functional - even if the chosen operation mode will exclude hot water applications!

During operation please remember about the following:

- The user and operator of the heating system must read and understand the following instructions for use. The instructions for use / reference manual must be always at hand for user reference.
- The operating water temperature must be between 60°C (140°F) to 90°C (194°F). Operating temperatures below 60°C (140°F) will cause fast soot build-up on the heat exchanger faces and significant loss of efficiency. Above 95°C (203°F) the thermal discharge safety device will respond, leading the excessive heat safely away.

- The thermal safety device function must be checked at initial operation and then at least once a year on a regular basis. Faulty operation requires immediate action and repairs. Repairs and checks must be carried out by a specialized technician only.

- If the necessary cold water supply pressure for the thermal discharge safety device is not available (< 2 bar/29 psi), for instance, due to local or your own water supply failure, the water boiler system must be shut down immediately. Protection against overheating is not present in this case.



Heating operation without a working thermal discharge safety device is not allowed!

- After lighting fire (for 10 minutes) the stove should be used only for warm air applications (radiators/accumulators; only HKD4.1w and HKD4.1SK). When reaching temperatures at 450-500°C (932°F), you can switch the smoke valve to let the flue gas stream into the water boiler.

- Rated heating power can be achieved only, if the water boiler is operated at full load. At partial load the water heating power is disproportionately low, direct heat projection into the room is significantly higher!

4 FIREWOOD AND HEATING POWER

The combustion process in our devices has been optimized to enhance their performance and reduce emissions. You can support our efforts to protect our environment by respecting the following recommendations for low-emission heating: Use only dry, natural wood with a residual humidity factor below 20%, or wood briquettes according to DIN EN 17225-3.

Damp, freshly cut or improperly stored wood has a high water content, therefore does not want to burn, makes a lot of smoke and gives not much of heat. Use only firewood which has been stored for at least two years in a dry place with sufficient air circulation. Because dry wood is much more calorific, you can save on fuel costs.

For example: Dry wood has a calorific value of approx. 4 kWh/kg, freshly cut wood only 2 kWh/kg. You will need twice the amount of wood to achieve the same heating power.

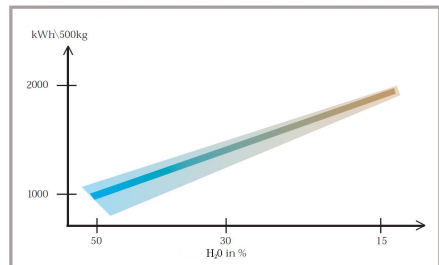
	Water content g/kg wood	Calorific value kWh/kg	Consumption raised by %
very dry	100	4.5	0
stored for 2 years	200	4	15
stored for 1 year	350	3	71
freshly cut wood	500	2.1	153



Natural firewood (left) is the best fuel for fireplaces, but you can use also wood briquettes according to DIN 17225-3, Class A1, length >14 cm (5.51 in), diameter >8 cm (3.15 in) (right).



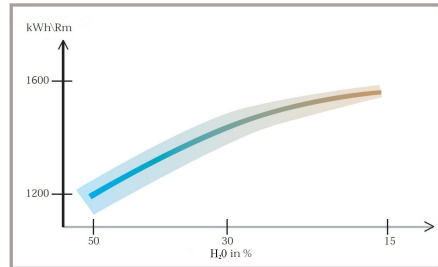
What amount of heat will I get when buying wood per weight?



500 kg freshly cut wood	Water content 50%	500 kg x 2.0 kWh/kg = 1000 kWh
-------------------------	-------------------	--------------------------------

500 kg dried wood	Water content 30%	500 kg x 3.3 kWh/kg = 1650 kWh
500 kg dry wood	Water content 15%	500 kg x 4.1 kWh/kg = 2050 kWh

What amount of heat will I get when buying wood per volume (1 cubic meter = 1 m³)?



1 m ³ freshly cut wood	Water content 50%	1286 kWh
1 m ³ dried wood	Water content 30%	1518 kWh
1 m ³ dry wood	Water content 15%	1550 kWh

Most suitable for use in open fireplaces are all types of hardwood, like beech or birch. Softwood species (conifers) have a closed-cell structure which is bursting during combustion, causing glowing embers to be thrown out of the fireplace. Hardwood is burning more calm and evenly.

You can control the heat radiation intensity by volume of wood and the intervals for stoking up.

Adjusting the heat by reducing the volume of combustion air is wrong! If there is not enough combustion air available, the energy contained in firewood cannot be completely released. At the same time, the emissions are rising due to unburned particles.

Too much of firewood or inappropriate fuel types can cause overheating and damage.

No kind of waste shall be burned in a fireplace!

Waste on fire = Toxins in your garden!





Never use combustible fluids, like petrol or alcohol to light a fire!

Mind the waste incineration ban!

Remember to use only the recommended fuels described in this User Guide. Unsuitable, not recommended fuels are not allowed to be burned in a fireplace.

Loading of firewood

Stove	Load weight	Log length	Log circumference
HKD 7 SK	3,0 kg - 8,0 kg	33 cm - 50 cm	20 cm - 30 cm
HKD 7 SK Tunnel	3,0 kg - 8,0 kg	33 cm - 50 cm	20 cm - 30 cm
			

At the beginning, set the maximum filling quantity, light it at the top and let it burn. After the burning is finished wait for an hour, and then add half of the filling quantity. After a further hour after the combustion has finished, add another half of the filling if necessary. This operation can be repeated after a heating pause of eight hours.

If larger filling quantities are applied in a shorter time, an overload can occur.



Discuss about loading of firewood quantities and heating intervals with your stove fitter. For the dry heating of a storage heating stove, different heating intervals apply!

5 BASIC RULES FOR OPERATION

The fireplace doors should be opened only for loading firewood or cleaning. When the fireplace door is open, other fireplaces connected to the same chimney might be impaired. Under certain circumstances this could lead to a risk of flue gas poisoning. The fireplace door must always stay closed, even if the fire is not burning.

Stoves and fireplaces from Ulrich Brunner GmbH are designed for periodic burning. It means that always a minimal amount of firewood has to be loaded and the combustion air must be adjusted according to the following instructions. Insufficient volumes of combustion air will lead to higher emissions and increased staining of the glass door.

Avoid risk of overheating! If the oven temperature is often too high, this can cause discolorations, especially in the case of stainless steel frames. Such defects do not constitute a reason for a claim.

Stoking wood

For stoking up we recommend to use a protective glove or the "cold hand" (delivered with some models), because the door handle gets very hot after several hours of burning. Open the door slowly. This will avoid turbulences, which could draw the smoke into the room. The right time for stoking up is when the wood turned almost completely into glowing embers.

Heating with accumulation stoves

When using your accumulation stove with ceramic storage mass, please keep the following heating intervals.

First put the maximal load of wood inside the stove, then light up from above and let it burn. After combustion ends, wait for approx. one hour, then put half the load of wood. After another hour has passed from combustion end, put half the load of wood again, if required. These steps can be repeated after a heating pause of eight hours. If more wood is loaded over a short time, this can result in overheating and storage mass damage.



Please ask your stove setter for the allowed loads and heating intervals. Different heating intervals will apply, when the stove is operated for the first time!

Heating between seasons

The fireplace needs a chimney draught for combustion air suction and flue gas exhaust. This chimney draught is reduced, when outdoor temperatures begin to rise. When outdoor temperature exceeds 10°C (50°F), please check the chimney draught before lighting fire.



*Illustr. 1:
Chimney draught test*

Damper flap adjustment

If an optional damper flap[‡] has been installed, it has to be opened completely when the fireplace door is opened or fire is lit. For normal operation with closed doors, the damper flap can be closed up to 2/3, depending on chimney draught.

Combustion air supply

Proper functioning of a fireplace depends on the volume of combustion air streaming into the room. Sufficient air supply must be ensured before fire is lit. If an outside air flap is installed, it has to be opened and must be left open as long fire is burning. Installed combustion air supply devices cannot be modified.

Combustion chamber linings

Important note: Single cracks on fire-resistant combustion chamber linings are no reason for concern.

[‡] The damper flap is installed in the flue pipe connecting piece between the heating insert and the chimney and regulates the chimney draft.

These exactly dimensioned fireclay plates are manufactured specially for our fireplaces. They are baked at 1100°C and serve as fire-resistant protection of steel or cast-iron fireboxes, which significantly extends their service life. Most different temperature strains, as well as mechanical impacts can (or actually will) cause small cracks on these plates. This is absolutely normal and safe, and does not constitute a reason for a claim.

What is not normal, are chips of stone falling off, or noticeable, star-shaped cracks on several levels.

Black / anthracite combustion chamber linings may show color changes during use. This is a normal, unavoidable process and does not constitute a reason for reclamation.

Door sealing ropes

BRUNNER is using only high-quality door sealing ropes, which are exactly adapted to the requirements of our heating devices.

Yet the door sealings are wear parts, and therefore are not covered by our product warranty.

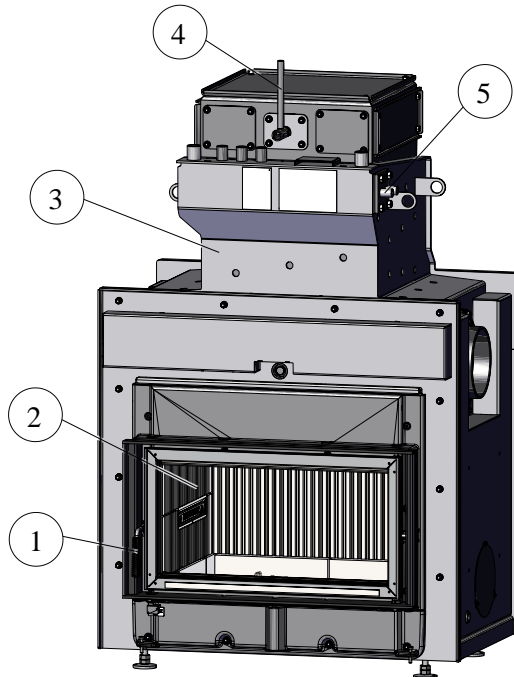
If the stove is operated as intended, the normal lifetime will be significantly longer.

Overheating, due to loading more wood as described in the operating instructions, direct contact with burning particles (charcoal), as well as use of unsuitable and aggressive cleansing agents may reduce the product lifetime considerably.

Viewing glass

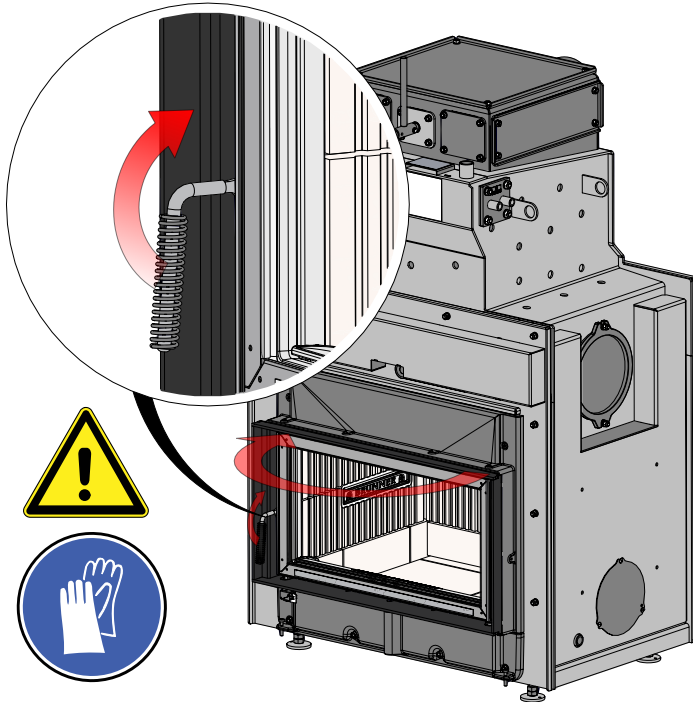
When loading wood into the stove, make sure to avoid the falling of wood onto the viewing glass, where it could burn in contact with the glass. The resulting thermal stress could lead to permanent discolorations (grey stains) on the viewing glass.

6 COMPONENTS



- 1 Door handle
- 2 Door with glass pane
- 3 Boiler body
- 4 Operating handle cleaning mechanics
- 5 Safety heat exchanger

7 DOOR OPENING



8 CLEANING

Once in a year, when the heating season begins, make sure to inspect the smoke pipe and/or additional reheating systems for ashes and residues. This should be possible through a revision provided on the installed fire-place insert or the ceramic accumulator block (if mounted). Remove the ashes with a suitable vacuum cleaner.

When the fireplace was not used for a long time, call the chimney sweep to inspect and clean your chimney.

All cleaning operations must be carried out while the fireplace is cold – Risk of burns!

If the ceramic glass pane is only slightly stained, it can be cleaned with a dry cloth. Cleaning glass from dirty residues can be done easy with a piece of wet paper towel. Use it to pick some cold ashes from the combustion chamber of the fireplace. Clean the glass with this wet towel, then wipe the remaining wet ashes from the glass with a dry paper towel.



Never use abrasive or aggressive cleaners!



Do not use brushes or any other mechanical means to clean sealing ropes!

During cleaning of glass, please protect the sealing ropes against getting wet.

Lifetime of sealing ropes will be significantly shorter, if they are soaked by fluids or cleaning agents.

Curing of the sealing rope can lead to glass breakage! Replace it when necessary!

The fireplace needs always a thin bed of ashes to keep the glowing embers for longer. Do not clean the ashes completely, but always remove the "spare" cold ashes using a suitable vacuum cleaner (can be bought at your local stove dealer).



Don't let the ashes rise above the top edge of fireclay bottom linings. The sealing ropes could get in contact with glowing embers and eventually get damaged.

Damage of sealing ropes arising from inappropriate operation or cleaning are excluded from warranty.

Please follow the safety precautions regarding the handling of ashes and embers.

9 NOTE

In case of damage to the fireplace or other parts of the system, please contact your stove fitter immediately. In case of severe damage of door sealing ropes - do not use the fireplace.

To ensure safe operation of the system, remember to use only genuine replacement parts.

Modifications on devices can be made only by persons with manufacturer's authorization.

The warranty expires if the device has not been used as intended. Intended use includes reading and following the instructions of this User Guide.

It is necessary to follow any other relevant instructions, like the "Operating instructions for tiled stove water boilers"!

My stove fitting company:

Ulrich Brunner GmbH
Zellhuber Ring 17-18
D-84307 Eggenfelden
Tel.: +49 (0) 8721/771-0
Fax: +49 (0) 8721/771-100
Email: info@brunner.de

Art.Nr.: 201969