

BRUNNER WATER BOILERS



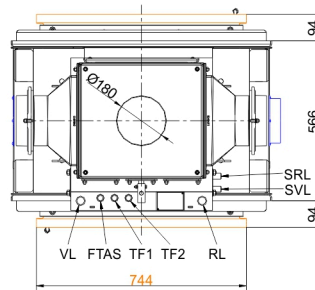
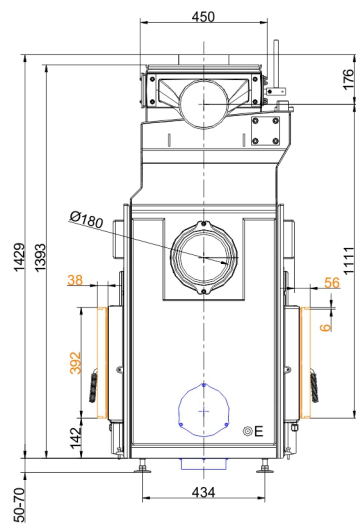
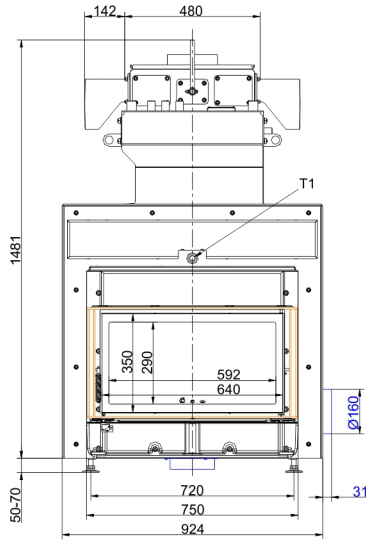
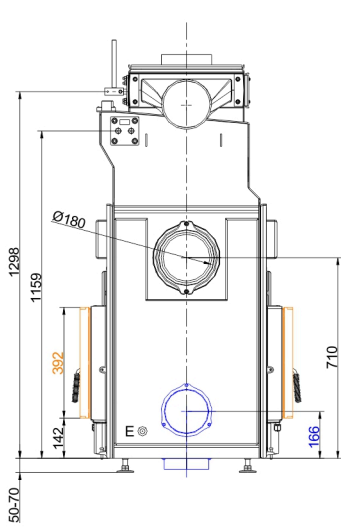
HKD 7 SK Tunnel

State: 2023-09-11



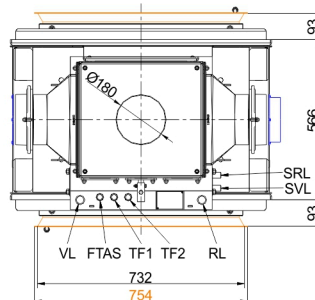
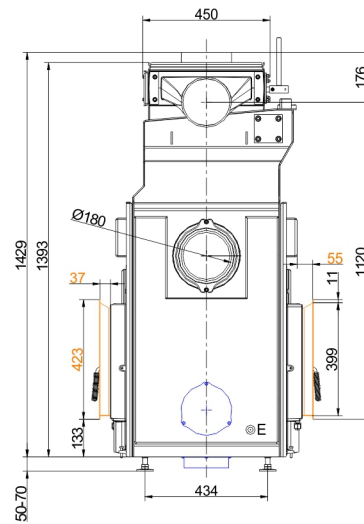
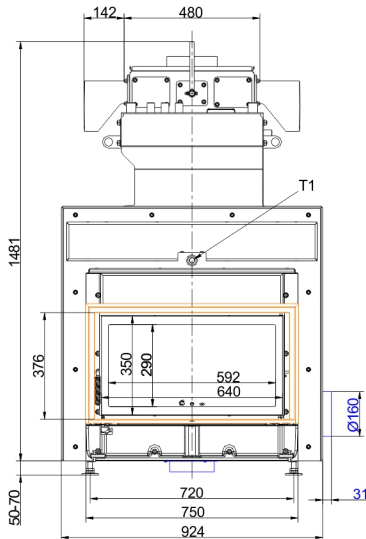
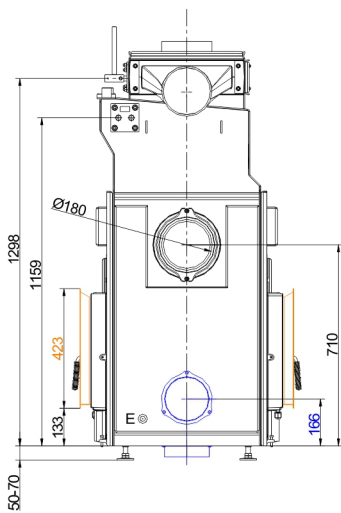
BRUNNER[®]
made in germany.

Dimension sheets - HKD 7 SK Tunnel



- VL supply 1"ext. th.
- RL return boiler 1"ext.th.
- E drain 1/2"int. th.
- SVL supply cooling pipe outlet ext.th.
- SRL return cooling pipe outlet 1/2"ext.th.
- FTAS socket for thermal safety sensor int.th.
- TF1 socket 1/2" for sensor int.th.
- TF2 socket 1/2" for sensor int.th.

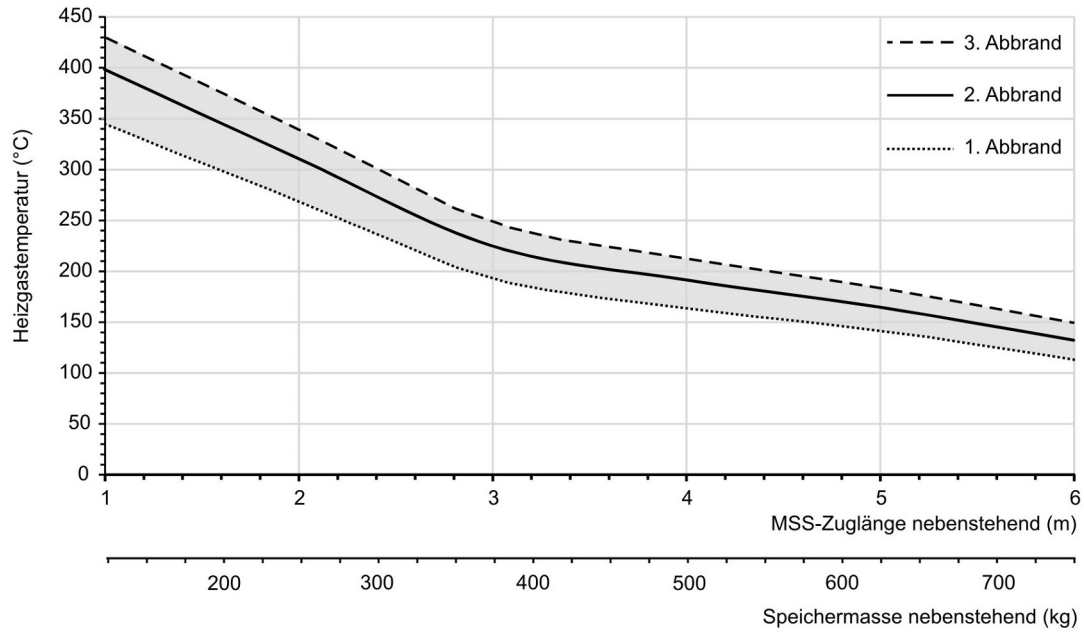
... with mounting frame



- VL supply 1"ext. th.
- RL return boiler 1"ext.th.
- E drain 1/2"int. th.
- SVL supply cooling pipe outlet ext.th.
- SRL return cooling pipe outlet 1/2"ext.th.
- FTAS socket for thermal safety sensor int.th.
- TF1 socket 1/2" for sensor int.th.
- TF2 socket 1/2" for sensor int.th.

... with door frame

Dimension sheets - HKD 7 SK Tunnel



Design characteristics for adjacent storage mass

We suggest for CAD planning Palette CAD. Permanent updated drawings: www.brunner.de

Frames/ flue gas outlet connection/ combustion air supply connection/ front variants/ support bearing are marked in color.

Planning and installation - HKD 7 SK Tunnel

Tested according to		EN 13229 W	EN 13229 W
Values measured at		Rated power	Practical avg.
Suitable for all construction types according to rules		OK	-
Data for functional demonstration			
Rated heat power	kW	12	-
Room heating power	kW	5	-
Water heating power	kW	7	-
Fire wood volume	kg/h	3.6	7
Combustion performance	kW	14	28
Flue gas mass flow	g/s	11	23
Outlet temperature (before reheating surface)	°C	350	630
Flue gas temperature after:			
1 x adjoining cast iron radiator (GNF 8/10)	°C	180	220
4,9 m ceramic accumulator ¹⁾	°C	-	180
3,4 m accumulation stones (MSS) ¹⁾	°C	-	210
boiler	°C	165	220
Necessary supply pressure	Pa	12	15
Combustion air consumption	m ³ /h	35	60
Combustion air connection Ø	mm	160	160
Heating gas temperature (before the hood/dome variant)			
insert flue outlet nozzle	°C	335	410
Heat distribution			
Insert / reheating surface	%	10 / 10 - 30	10 / 10 - 30
Glass pane (single / double)	%	25 / 20	25 / 20
Boiler	%	40 - 60	40 - 60
Cross-section of gratings ²⁾			
Convection air	cm ²	500 / - / 500	500 / - / 500
Supply air	cm ²	500 / - / 500	500 / - / 500
Minimal distances of the fireplace			
to cladding, insulation layer	cm	6	6
to mounting floor	cm	4	4
Thermal insulation without / with air gratings ³⁾			
Mounting wall	cm	10 / 8	10 / 8
Floor	cm	0 / 0	0 / 0
Ceiling	cm	13 / 10	13 / 10
Brick lining for combustible wall	cm	10	10
Water boiler data			
Max. operating pressure	bar	3	3
Max. flow temperature	°C	100	100
Water volume	liter	80	80
Connections flow / return	inches	1	1
Weight			
Fireplace / combustion chamber	kg	425 / 72	
Meets requirement/limit values for:			
Germany/ Austria / Switzerland / Norway	1.BImSchV (Stufe 2) / 15a BVG (2015) / LRV / -		

1) Approximate value. Determination according to design characteristics for adjacent storage mass or proof of function provided by calculation

2) for fireplace inserts / flue gas pipe / metallic reheating surface

3) Values determined with upper air cross- sections; stove cladding is heat emitting